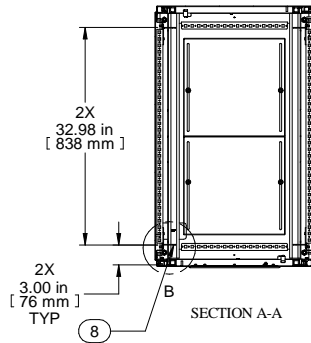
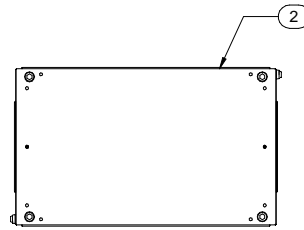


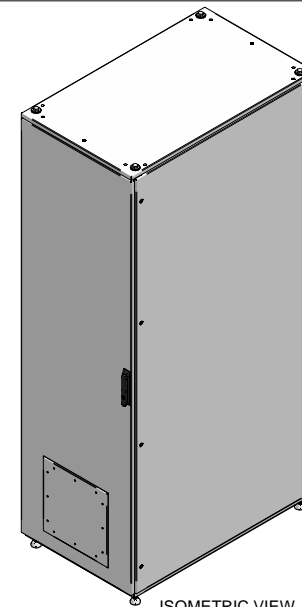
DETAIL B



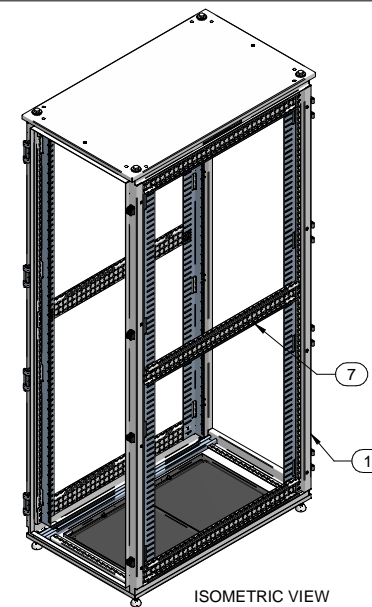
SECTION A-A



TOP VIEW

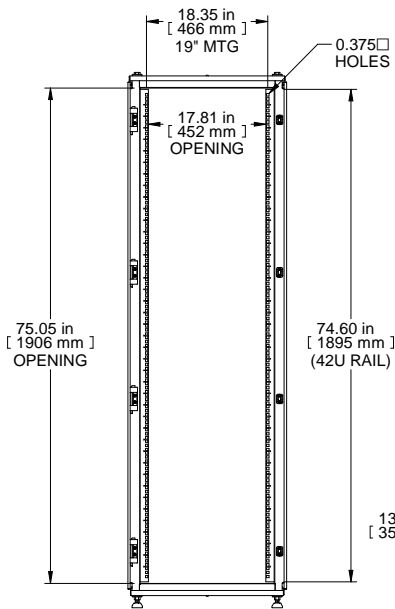


ISOMETRIC VIEW

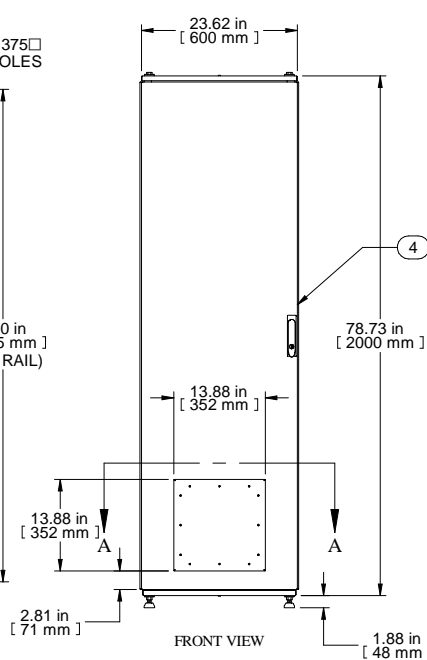


ISOMETRIC VIEW

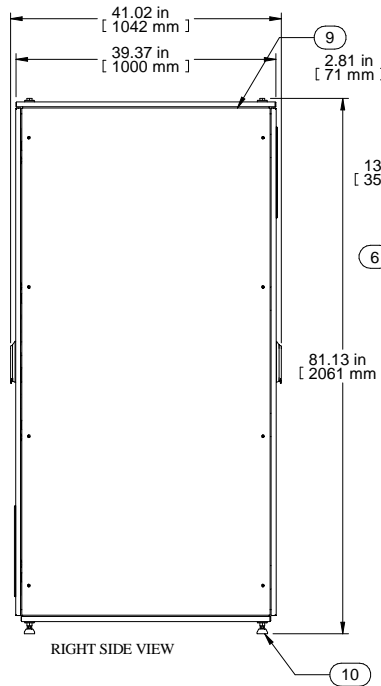
DOORS AND SIDE PANELS REMOVED



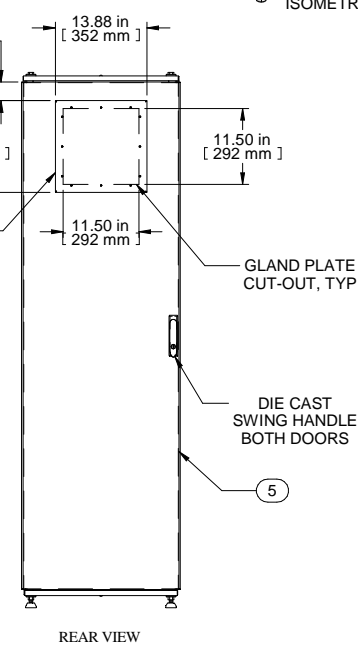
FRONT VIEW
DOORS REMOVED



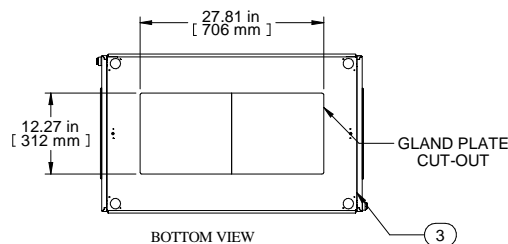
FRONT VIEW



RIGHT SIDE VIEW



REAR VIEW



BOTTOM VIEW

Item Number	Title	Quantity
1	HME - FRAME WELDMENT 2000 X 600 X 1000	1
2	HME TOP PANEL ASSEMBLY	1
3	HME BOTTOM PANEL ASSEMBLY - 600MM X 1000MM	1
4	HDME - SOLID DOOR ASS'Y W/CUT-OUT	1
5	HDME - SOLID DOOR ASS'Y W/CUT-OUT	1
6	GLAND PLATE 13.88 x 13.88	2
7	DEPTH GRID STRAPS (PAIR)	3
8	19" PANEL RAILS 42U, SQ. HOLE (PAIR)	2
9	HME-SIDE PANEL (PAIR) 2000 X 1000	1
10	HME - LEVELLING FEET (SET)	1

PART NUMBERS

HDME20610	PAINTED BLACK TEXTURED
-----------	------------------------

NOTES

See Hammond Website for Additional Accessories

Français

Pour tous les détails sur nos produits, svp veuillez consulter notre site www.hammondmfg.com.
Data subject to change without notice. Isometric drawing not to scale.
Les données sont sujettes à changement sans préavis.



HAMMOND MANUFACTURING
www.hammondmfg.com
PART NO. **HDME20610**