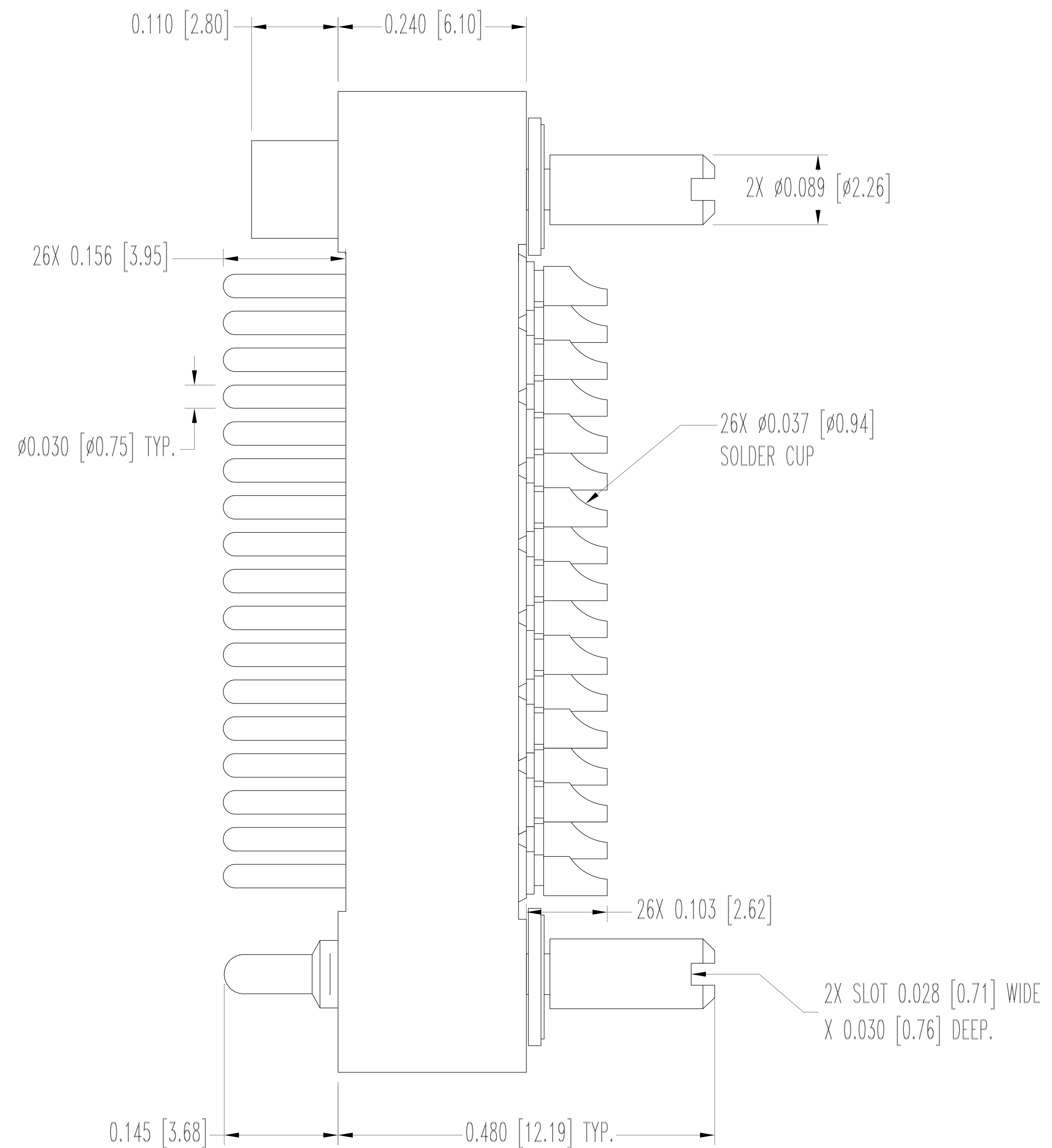
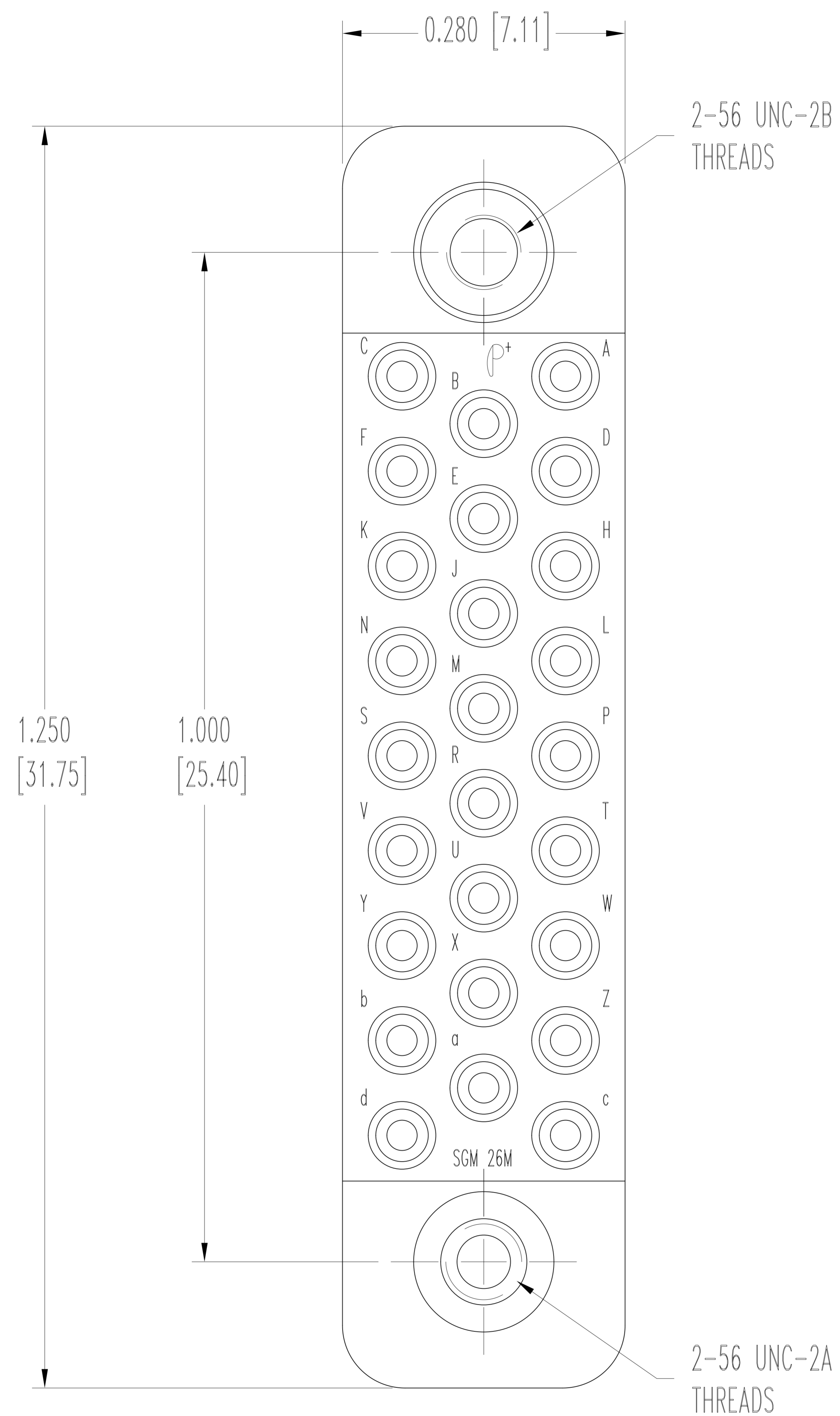


THIS DRAWING CONTAINS INFORMATION PROPRIETARY TO POSITRONIC AND ITS SUBSIDIARIES. POSITRONIC BELIEVES THE DATA ON THIS DRAWING TO BE RELIABLE, SINCE THE TECHNICAL INFORMATION IS GIVEN FREE OF CHARGE, THE USER EMPLOYS SUCH INFORMATION AT HIS OWN DISCRETION AND RISK. POSITRONIC ASSUMES NO RESPONSIBILITY FOR RESULTS OBTAINED OR DAMAGES INCURRED FROM USE OF SUCH INFORMATION IN WHOLE OR IN PART.

DATE	REV	REVISION RECORD	APP	DR	CK
05-09-19	A	ECO 66952	RK	GJ	AB



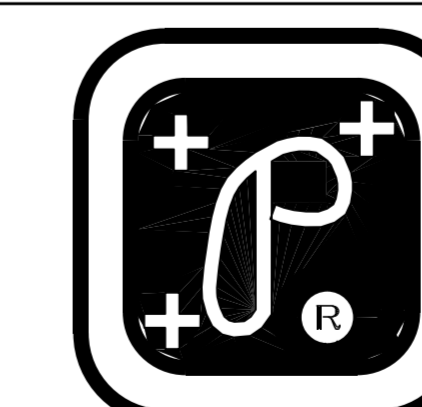
NOTES:

1. MATERIALS AND FINISHES:

- INSULATOR: GLASS FILLED DAP PER ASTM-D-5948, TYPE SDG-F, COLOR: GREY.
- CONTACTS: PRECISION MACHINED COPPER ALLOY, 0.000015 [0.38μ] GOLD OVER NICKEL PLATE.
- JACKSCREWS, C-CLIPS AND WASHERS: STAINLESS STEEL, PASSIVATED.

2. DETAILED PRODUCT, MECHANICAL AND ELECTRICAL INFORMATION IS AVAILABLE IN THE LATEST HIGH DENSITY PRODUCT PUBLICATION AT CONNECTPOSITRONIC.COM.

3. DIMENSIONS ARE IN INCHES [MILLIMETERS].



POSITRONIC INDUSTRIES INC.
 SPRINGFIELD, MISSOURI 65801

 DECIMAL TOL. ± 0.015 [0.38]	SCALE N.T.S.	DRAWN BY GANESH J.
	TITLE SGM SERIES	APPROVED BY RK
DATE 05-09-19	DRAWING NUMBER SGM26MSCESS0000	REV. A