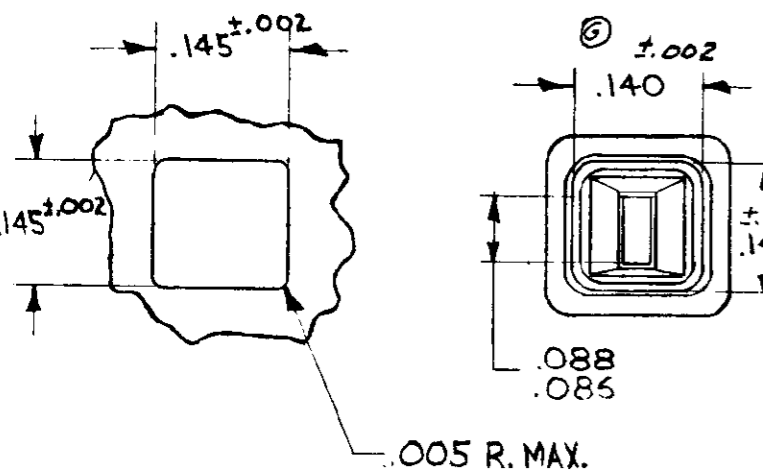
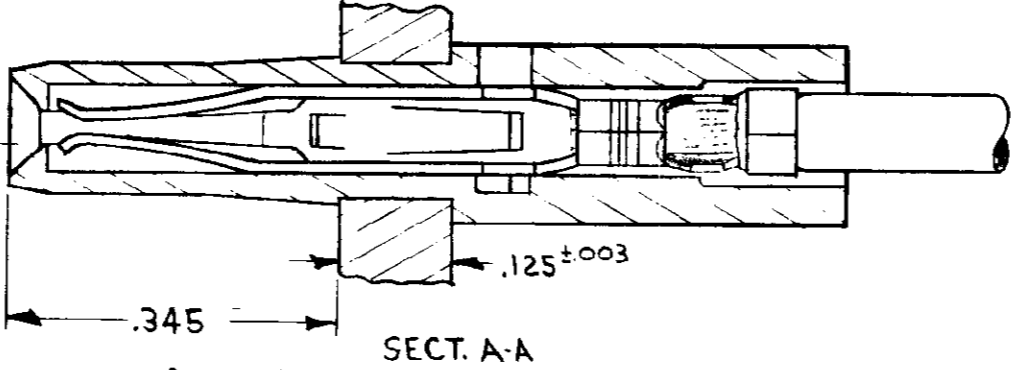
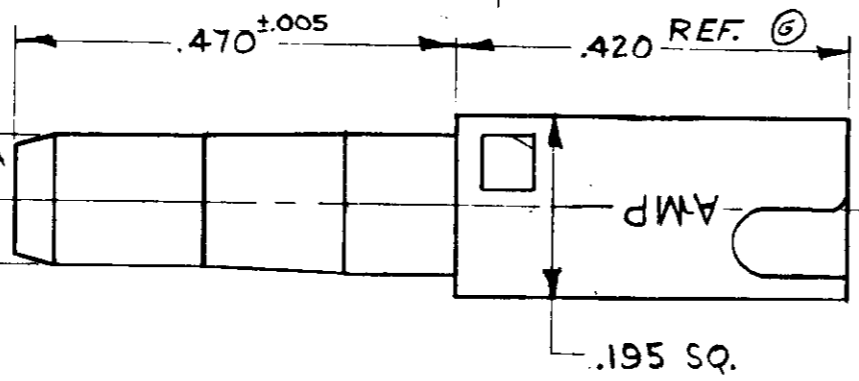
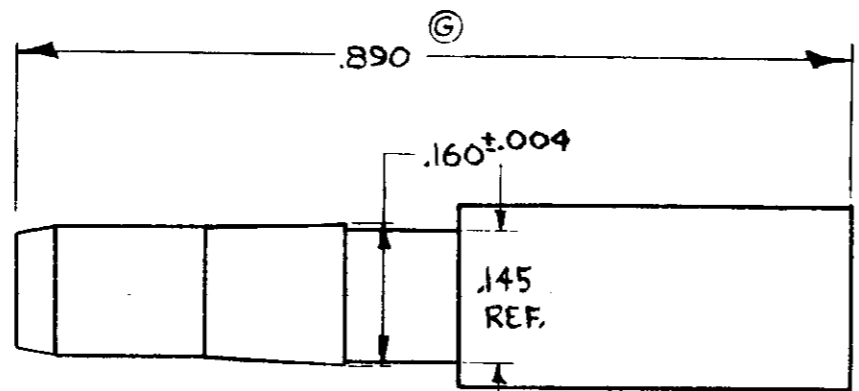


UNPUBLISHED
NUMBER 582289
S

© 1967 BY AMP INCORPORATED. ALL RIGHTS RESERVED. AMP PRODUCTS COVERED BY PATENTS AND/OR PATENTS PENDING.

REVISIONS				
SYM	ZONE	DESCRIPTION	DATE	APPROVAL
F		REDRAWN, ADD SIDE VIEW. PER ECN T-300	3-7-63	MM JK
G		REVISED 2186	8-5-69	m.s. d.h.
H	✓	REVISED 3014	5-18-71	m.s. d.h.



MOUNTING HOLE DIMENSIONS

582289-1 I. AS SHOWN

NOTE: TO MATE WITH .032 MALE TAB. X.080±.005

QTY REQD	PART OR IDENTIFYING NO.	NOMENCLATURE OR DESCRIPTION			
LIST OF MATERIALS OR PARTS LIST					
UNLESS OTHERWISE SPECIFIED DIMENSIONS ARE IN INCHES TOLERANCES ON			SIGNATURE		DATE
FRACTIONS ± 1/64			DR <i>M.A. Melis</i>		3-7-63
DECIMALS ± .010			CHK <i>J. Kaufman</i>		8-63
ANGLES ± 1°			DSGN ENGR <i>[Signature]</i>		3/11/63
MATERIAL			APPD <i>[Signature]</i>		3/11/63
ZYTEL 101 - WHITE			DSGN APPD		
HEAT TREAT			OTHER APPD		
FINISH			CODE IDENT NO		SIZE
---			00779		B
---			NUMBER		582289
AMP INFO			SCALE 5-1		WT CALL ACTUAL
LOC AD H 14			SHEET 1 OF 1		



AMP INCORPORATED
HARRISBURG, PENNSYLVANIA

DUO-TYNE LEAF-HOUSING

GUSTOMER DRAWING 1