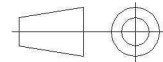
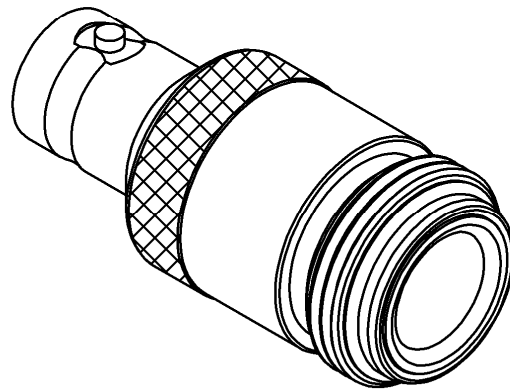
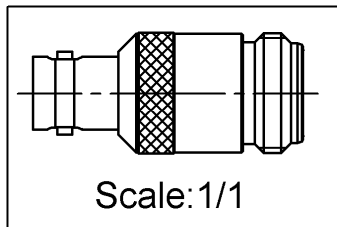
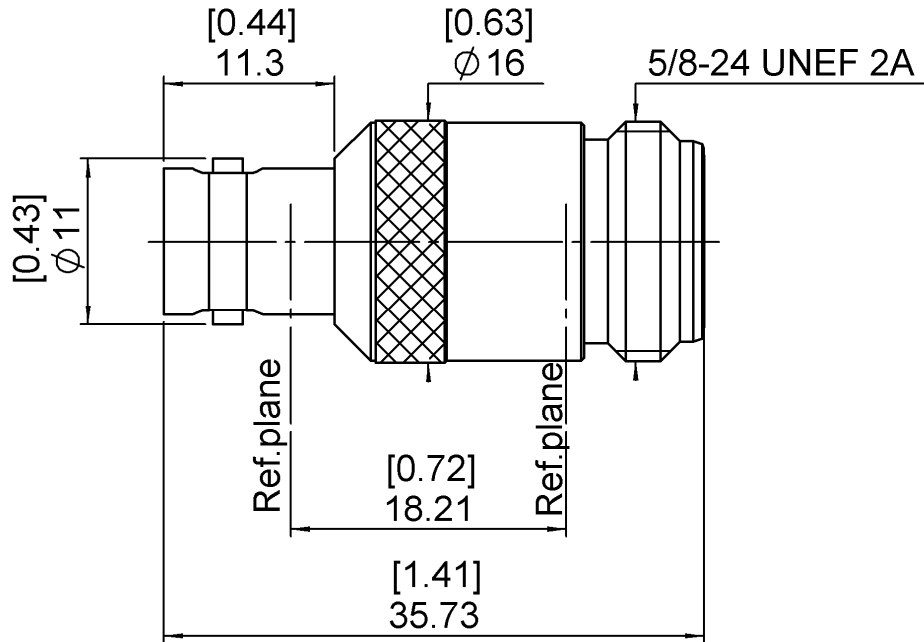


BNC 75 HDTV FEMALE-N FEMALE

R192.418.010

STRAIGHT ADAPTER

Série : ADAPTER 75



All dimensions are in mm.

COMPONENTS	MATERIALS	PLATING (µm)
BODY	BRASS	BBR2
CENTER CONTACT	BERYLLIUM COPPER	NPGR
OUTER CONTACT	BRASS	BBR2
INSULATOR	PTFE	
GASKET		
OTHERS PARTS		
-	-	-
-	-	-

Issue : 1147 A

In the effort to improve our products, we reserve the rights to make changes judged to be necessary.



BNC 75 HDTV FEMALE-N FEMALE

R192.418.010

STRAIGHT ADAPTER

Série : ADAPTER 75

PACKAGING

SPECIFICATION

Standard	Unit	Other
1	-	Contact us

ELECTRICAL CHARACTERISTICS

ENVIRONMENTAL

Impedance		75 Ω
Frequency		0-6 GHz
VSWR	1.03 +	0,0200 x F(GHz) Maxi
Insertion loss		0.1 √F(GHz) dB Maxi
RF leakage	- (55* - F(GHz)) dB Maxi
Voltage rating		500 Veff Maxi
Dielectric withstanding voltage		1500 Veff mini
Insulation resistance		5000 MΩ mini

Operating	-65/+165 °C
Hermetic seal	NA Atm.cm3/s
Panel leakage	NA

MECHANICAL CHARACTERISTICS

OTHER CHARACTERISTICS

Center contact retention		
Axial force – Mating end		15 N mini
Axial force – Opposite end		15 N mini
Torque		NA N.cm mini

*From 2 to 3 GHz

Recommended torque		
Mating	BNC 75 HDTV	0 N.cm
	N	0 N.cm
		0 N.cm
Panel nut		NA N.cm

Mating life		500 Cycles mini
Weight		30,7000 g

Issue : 1147 A

In the effort to improve our products, we reserve the rights to make changes judged to be necessary.

