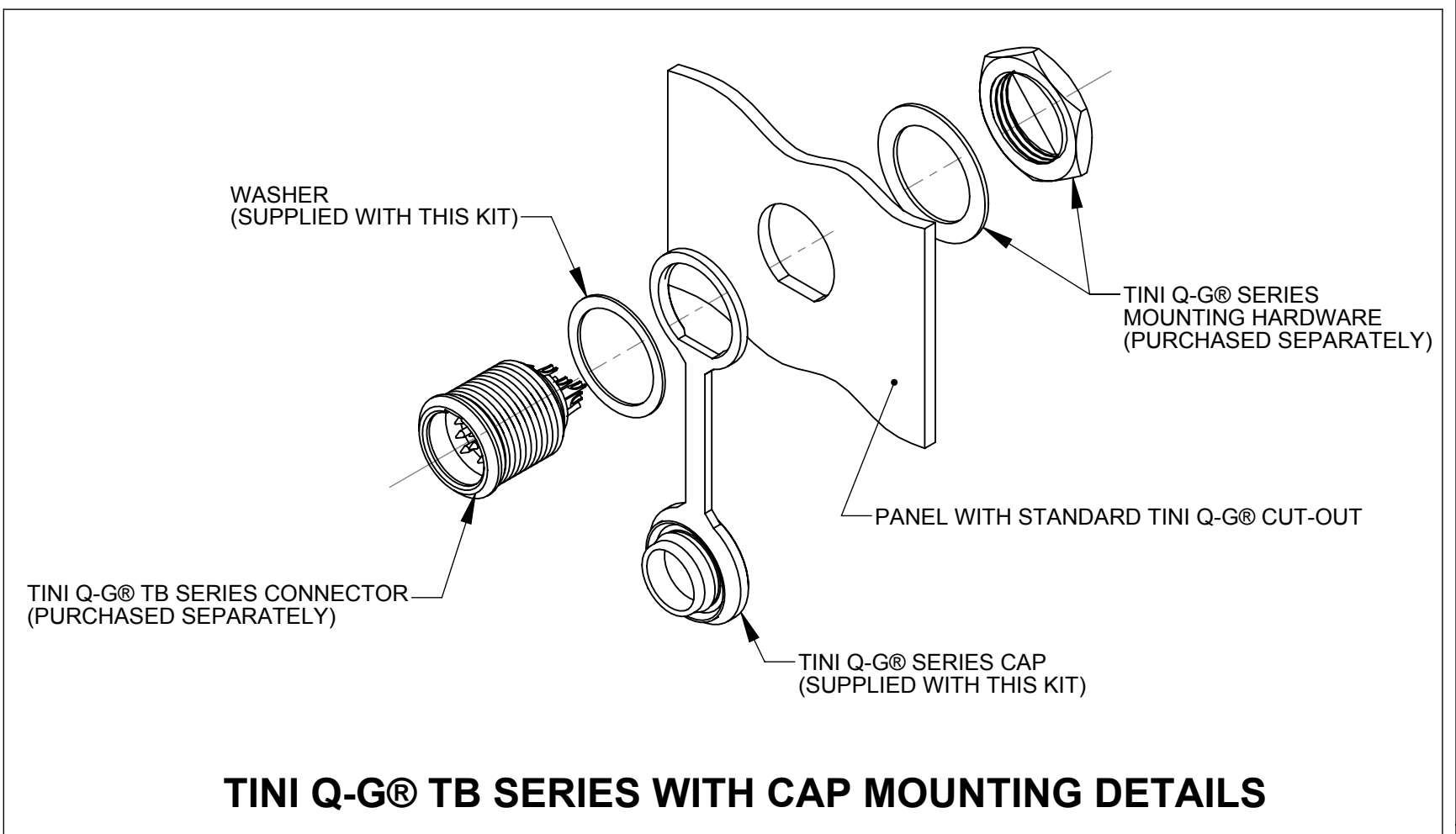
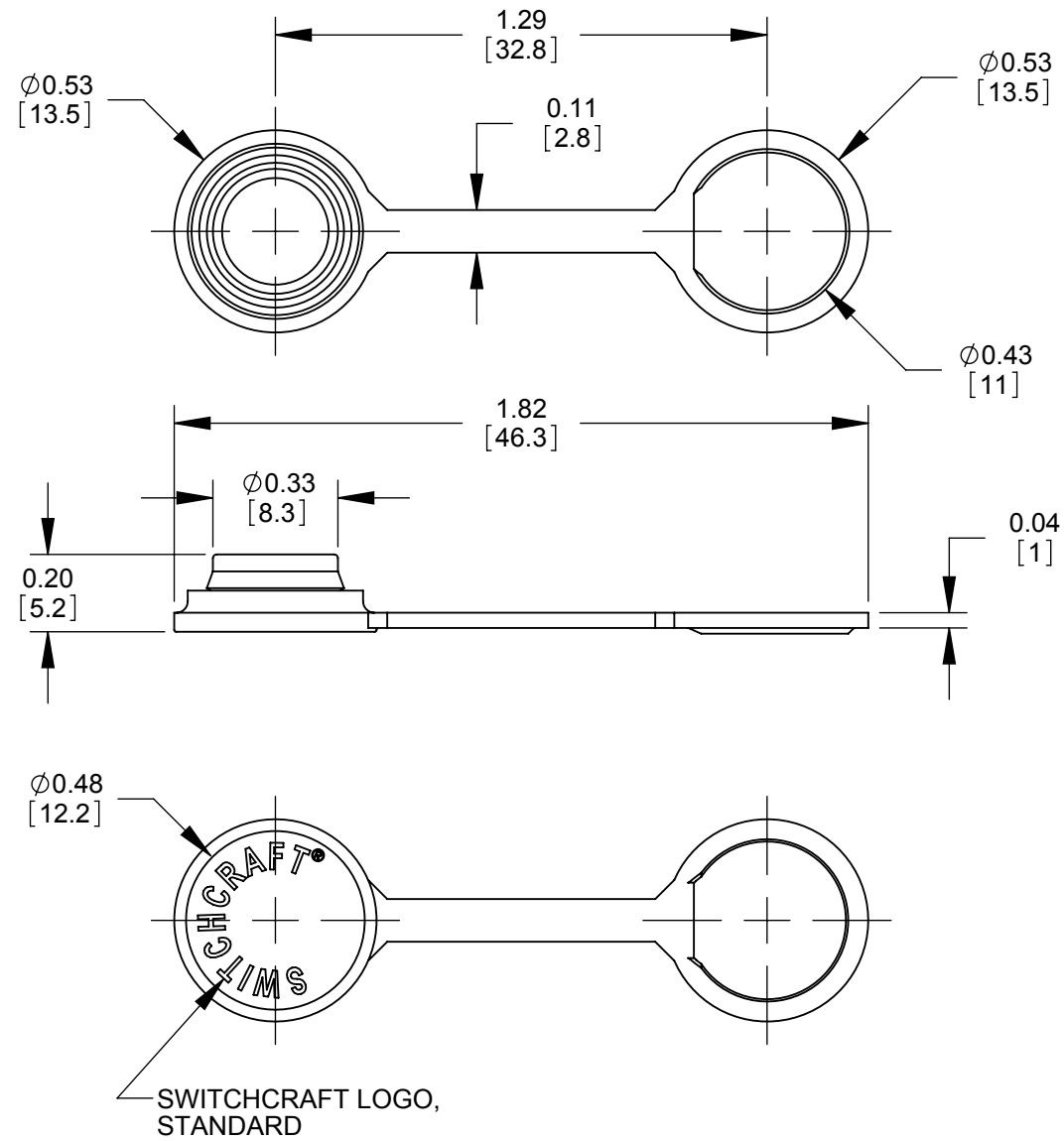


CAP

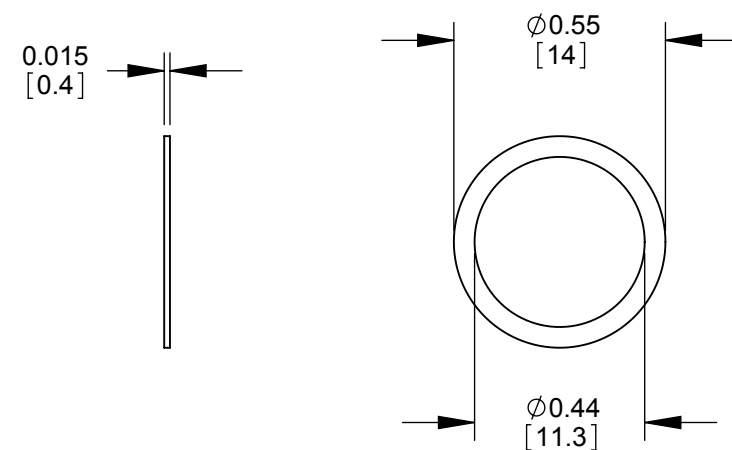


TINI Q-G® TB SERIES WITH CAP MOUNTING DETAILS

NOTES:

1. DIMENSIONS SHOWN FOR REFERENCE ONLY
2. MATERIAL:
CAP: THERMOPLASTIC ELASTOMER, BLACK COLOR
WASHER: STAINLESS STEEL
3. THIS PART IS RoHS COMPLIANT

WASHER



CUSTOMER DRAWING

					THIS DRAWING DESCRIBES A DESIGN CONSIDERED PROPRIETARY IN NATURE, DEVELOPED AND MANUFACTURED BY SWITCHCRAFT INC. AND IS RELEASED ON A CONFIDENTIAL BASIS FOR IDENTIFICATION PURPOSES ONLY.				
					SIZE	WIDTH	MULT	LBS/M	TEMPER
					FINISH			MATERIAL	
					SPEC No.			SPEC No.	
					FIRST USED ON		SCALE		
							2:1		
DATE DRAWN		BY	CHKD	APVD					
03/01/10		PNK	PNK	SRC					
					NAME		PART No.		
					CAP KIT		TINICAPT B		
					TINI Q-G® TB SERIES		REV A		
REVISIONS					DO NOT SCALE DRAWING				

SolidWorks CAD File