

NOTES

1. 本製品は極数によって、ロック形状が変わりますので御注意願います。
THE LOCK SHAPE OF THIS PRODUCT CHANGES ACCORDING TO THE NUMBER OF CIRCUIT.
2~5 CIRCUITS : フリクションロック FRICTION LOCK
6~15 CIRCUITS : インナーポジティブロック INNER POSITIVE LOCK
2. 材料 : TABLE 1,3 参照
MATERIAL : SEE TABLE 1 AND 3
3. 本製品の適合嵌合相手及び各種仕様書はSHEET 3, 4を御参照ください。
REFER TO SHEET 3 AND 4 FOR APPLICABLE PRODUCTS AND VARIOUS SPECIFICATIONS .
4. 偶数極に適用
APPLY FOR EVEN CIRCUIT
5. 発注番号 : TABLE 2,4 参照
ORDER No. : SEE TABLE 2 AND 4

501330 - ** **

極数 CIRCUIT SIZE	ハウジングカラー HOUSING COLOR
	00:NATURAL(WHITE)
	31:BLACK

TABLE 2

			HOUSING COLOR		
			BLACK	NATURAL (WHITE)	
5.4	4.0	6.7	501330 0531	501330 0500	5
4.4	3.0	5.7	501330 0431	501330 0400	4
3.4	2.0	4.7	501330 0331	501330 0300	3
2.4	1.0	3.7	501330 0231	501330 0200	2
C	B	A	発注番号 ORDER No.		極数 CIRCUIT SIZE
極数別 寸法 DIMENSION			梱包形態 : ポリ袋 PACKAGE:POLYBAG		

TABLE 1

部品 PART	材質 MATERIAL
ハウジング HOUSING	ポリアミド(PA), UL94V-0, 色 : SEE TABLE 2 POLYAMIDE(PA), UL94V-0, COLOR : SEE TABLE 2
DOCUMENT STATUS	P1
RELEASE DATE	2021/04/06 10:46:35

THIS DRAWING CONTAINS INFORMATION THAT IS PROPRIETARY TO MOLEX ELECTRONIC TECHNOLOGIES, LLC AND SHOULD NOT BE USED WITHOUT WRITTEN PERMISSION

DIMENSION UNITS: mm SCALE: NTS

GENERAL TOLERANCES (UNLESS SPECIFIED): ANGULAR TOL ± 3.0°

4 PLACES ± 0.2
3 PLACES ± 0.2
2 PLACES ± 0.2
1 PLACE ± 0.2
0 PLACES ± 0.2

EC NO: 658660
DRWN: MIKEDA01 2021/04/06
CHK'D: SAKIYAMA 2021/04/06
APPR: KOMURAKAMI 2021/04/06

INITIAL REVISION:
DRWN: AISHIKAWA 2019/03/12
APPR: KOMURAKAMI 2019/04/05

THIRD ANGLE PROJECTION

DRAFT WHERE APPLICABLE MUST REMAIN WITHIN DIMENSIONS

DOCUMENT NUMBER: 5013300000-SD
DOC TYPE: PSD
DOC PART: 000
REVISION: D

SHEET NUMBER: 1 OF 4

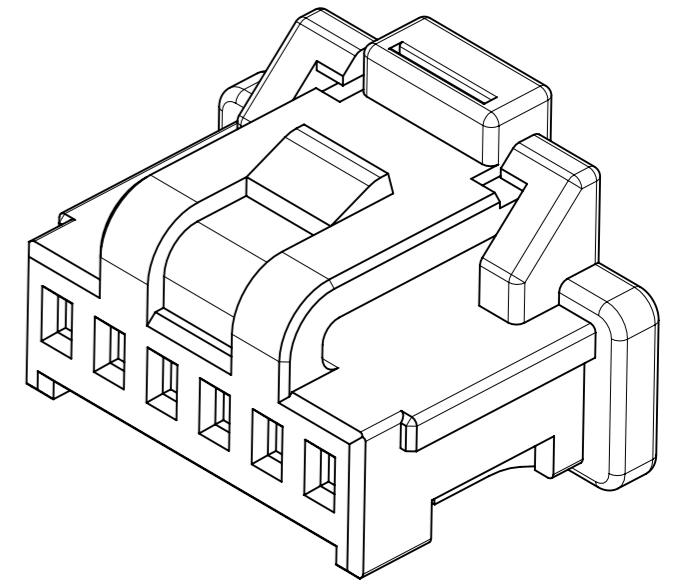
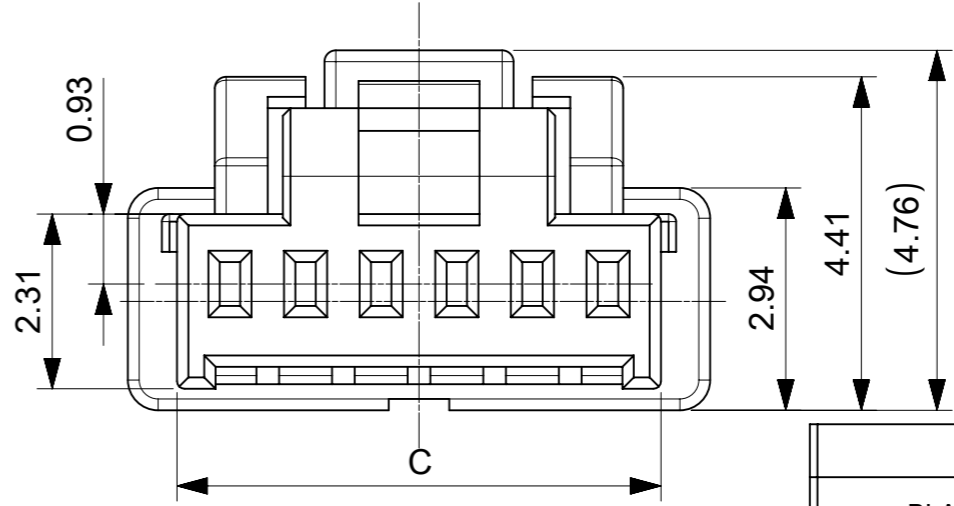
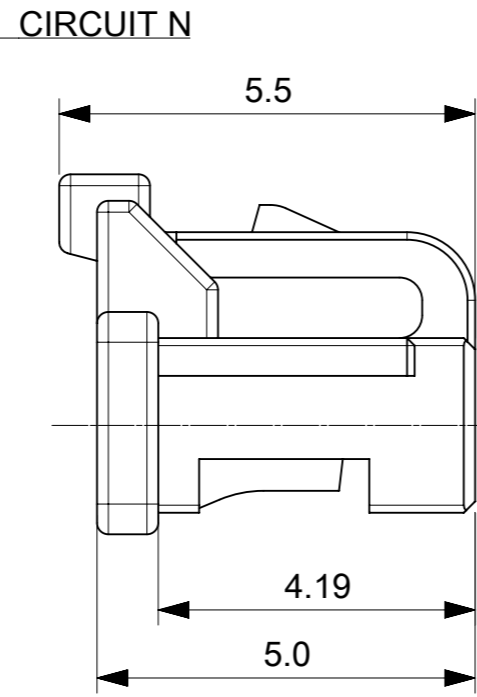
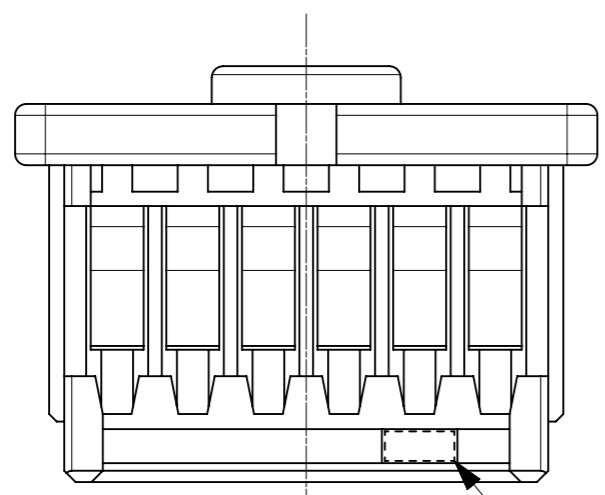
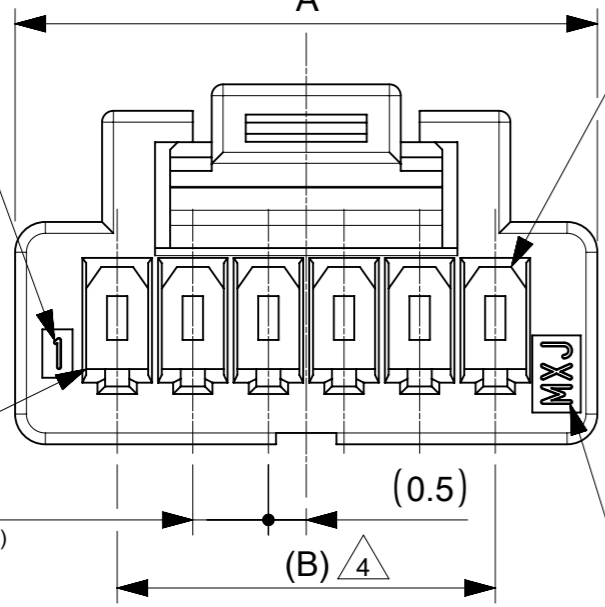
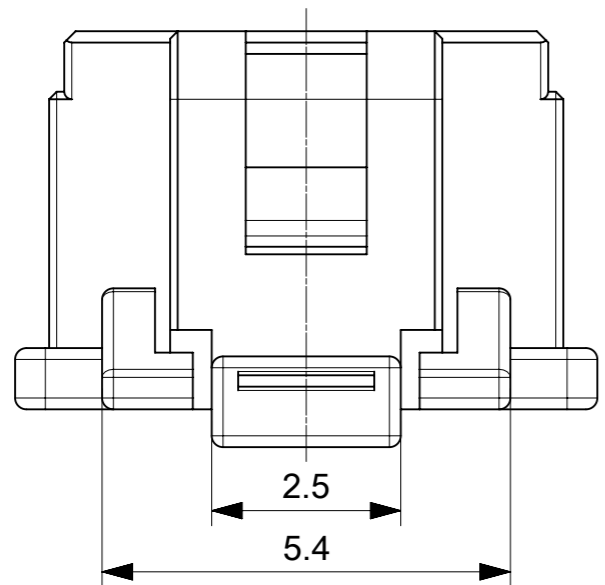
PRODUCT CUSTOMER DRAWING

MOLEX

PICO-CLASP 1.0 WTB
SINGLE ROW REC HSG INNER AND FRICTION LOCK

A3-SIZE 501330

MATERIAL NUMBER: 501330****
CUSTOMER: GENERAL



CIRCUIT 1 INDICATOR MARK

CIRCUIT 1

CIRCUIT N

TRADE MARK

CAV No. & MOLD No.

TABLE 4

			HOUSING COLOR		
			BLACK	NATURAL (WHITE)	
15.4	14.0	16.7	501330 1531	501330 1500	15
14.4	13.0	15.7	501330 1431	501330 1400	14
13.4	12.0	14.7	501330 1331	501330 1300	13
12.4	11.0	13.7	501330 1231	501330 1200	12
11.4	10.0	12.7	501330 1131	501330 1100	11
10.4	9.0	11.7	501330 1031	501330 1000	10
9.4	8.0	10.7	501330 0931	501330 0900	9
8.4	7.0	9.7	501330 0831	501330 0800	8
7.4	6.0	8.7	501330 0731	501330 0700	7
6.4	5.0	7.7	501330 0631	501330 0600	6
C	B	A	発注番号 ORDER No.		極数 CIRCUIT SIZE
極数別 寸法 DIMENSION			梱包形態 : ポリ袋 PACKAGE:POLYBAG		

TABLE 3

部品 PART	材質 MATERIAL
ハウジング HOUSING	ポリアミド(PA), UL94V-0, 色 : SEE TABLE 4 POLYAMIDE(PA), UL94V-0, COLOR : SEE TABLE 4
DOCUMENT STATUS	P1 RELEASE DATE 2021/04/06 10:46:35

THIS DRAWING CONTAINS INFORMATION THAT IS PROPRIETARY TO MOLEX ELECTRONIC TECHNOLOGIES, LLC AND SHOULD NOT BE USED WITHOUT WRITTEN PERMISSION

DIMENSION UNITS: mm SCALE: NTS

GENERAL TOLERANCES (UNLESS SPECIFIED): ANGULAR TOL ± 3.0°

4 PLACES ± 0.2
3 PLACES ± 0.2
2 PLACES ± 0.2
1 PLACE ± 0.2
0 PLACES ± 0.2

EC NO: 658660
DRWN: MIKEDA01 2021/04/06
CHK'D: SAKIYAMA 2021/04/06
APPR: KOMURAKAMI 2021/04/06

INITIAL REVISION:
DRWN: AISHIKAWA 2019/03/12
APPR: KOMURAKAMI 2019/04/05

THIRD ANGLE PROJECTION

DRAWING: A3-SIZE
SERIES: 501330
MATERIAL NUMBER: 501330****
CUSTOMER: GENERAL
SHEET NUMBER: 2 OF 4

molex

PICO-CLASP 1.0 WTB
SINGLE ROW REC HSG INNER AND FRICTION LOCK

PRODUCT CUSTOMER DRAWING

DOCUMENT NUMBER: 5013300000-SD
DOC TYPE: PSD
DOC PART: 000
REVISION: D

△ 3 適合製品及び各種仕様書 (標準仕様)
APPLICABLE PRODUCTS AND VARIOUS SPECIFICATIONS (STANDARD TYPE)

梱包仕様書 PACKING SPECIFICATION	SPECIFICATION NUMBER
	SPK-501330-001

適合圧着端子 APPLICABLE CRIMP TERMINAL	PART NUMBER	PLATING TYPE		WIRE SIZE(AWG)
	501334 0000	TIN (THICKNESS) [MICRO-METER MIN]	1.0	
501193 7000	GOLD (THICKNESS) [MICRO-METER MIN]	FLASH		
501193 8000		0.38		
501193 9000		0.76		

列 ROW	SINGLE								
	SMT				SMT				
適合嵌合相手 MATE WITH	VERTICAL	RIGHT ANGLE		VERTICAL			RIGHT ANGLE		
	TIN (THICKNESS) [MICRO-METER MIN]	TIN (THICKNESS) [MICRO-METER MIN]		GOLD (THICKNESS) [MICRO-METER MIN]			GOLD (THICKNESS) [MICRO-METER MIN]		
	----- 1.0	----- 1.0		0.1	0.38	0.76	0.1	0.38	0.76
シリーズ番号 SERIES No.	501331	501568		504449	203556	203557	202396	203558	203559
製品仕様書 PRODUCT SPECIFICATION	5013300000-PS 001				5013300000-PS 002				
取扱説明書 APPLICATION SPECIFICATION	5013300000-AS 000								

※製品嵌合図は各"適合嵌合相手"図面参照のこと
 MATING VIEW:REFER TO EACH "MATE WITH" PART DRAWING.

THIS DRAWING CONTAINS INFORMATION THAT IS PROPRIETARY TO MOLEX ELECTRONIC TECHNOLOGIES, LLC AND SHOULD NOT BE USED WITHOUT WRITTEN PERMISSION									
DIMENSION UNITS	SCALE	CURRENT REV DESC: REVISED						molex	
mm	NTS							PICO-CLASP 1.0 WTB SINGLE ROW REC HSG INNER AND FRICTION LOCK	
GENERAL TOLERANCES (UNLESS SPECIFIED)									
ANGULAR TOL ± 3.0 °									
4 PLACES	± 0.2	EC NO: 658660							
3 PLACES	± 0.2	DRWN: MIKEDA01	2021/04/06						
2 PLACES	± 0.2	CHK'D: SAKIYAMA	2021/04/06						
1 PLACE	± 0.2	APPR: KOMURAKAMI	2021/04/06						
0 PLACES	± 0.2	INITIAL REVISION:							
		DRWN: AISHIKAWA	2019/03/12	DOCUMENT NUMBER		DOC TYPE	DOC PART	REVISION	
		APPR: KOMURAKAMI	2019/04/05	5013300000-SD		PSD	000	D	
DRAFT WHERE APPLICABLE MUST REMAIN WITHIN DIMENSIONS		THIRD ANGLE PROJECTION	DRAWING	SERIES	MATERIAL NUMBER	CUSTOMER		SHEET NUMBER	
			A3-SIZE	501330	501330****	GENERAL		3 OF 4	

△ 3 適合製品及び各種仕様書 (ローハロゲン仕様)

APPLICABLE PRODUCTS AND VARIOUS SPECIFICATIONS (LOW HALOGEN TYPE)

列 ROW	SINGLE							
	SMT				SMT			
適合嵌合相手 MATE WITH	VERTICAL	RIGHT ANGLE	VERTICAL			RIGHT ANGLE		
	TIN (THICKNESS) [MICRO-METER MIN]	TIN (THICKNESS) [MICRO-METER MIN]	GOLD (THICKNESS) [MICRO-METER MIN]			GOLD (THICKNESS) [MICRO-METER MIN]		
	1.0	1.0	0.1	0.38	0.76	0.1	0.38	0.76
シリーズ番号 SERIES No.	208381 ***9	208387 ***9	208381 ***7	208381 ***5	208381 ***3	208387 ***7	208387 ***5	208387 ***3
製品仕様書 PRODUCT SPECIFICATION	5013300000-PS 003				5013300000-PS 004			
取扱説明書 APPLICATION SPECIFICATION	5013300000-AS 001							

※製品嵌合図は各"適合嵌合相手"図面参照のこと
 MATING VIEW:REFER TO EACH "MATE WITH" PART DRAWING.
 ※適合圧着端子は標準仕様と共通になります
 THE APPLICABLE CRIMP TERMINAL ARE THE SAME THE STANDARD.

THIS DRAWING CONTAINS INFORMATION THAT IS PROPRIETARY TO MOLEX ELECTRONIC TECHNOLOGIES, LLC AND SHOULD NOT BE USED WITHOUT WRITTEN PERMISSION									
DIMENSION UNITS	SCALE	CURRENT REV DESC: REVISED						molex	
mm	NTS								
GENERAL TOLERANCES (UNLESS SPECIFIED)								PICO-CLASP 1.0 WTB SINGLE ROW REC HSG INNER AND FRICTION LOCK	
ANGULAR TOL	± 3.0 °							PRODUCT CUSTOMER DRAWING	
4 PLACES	± 0.2	EC NO: 658660						DOCUMENT NUMBER	
3 PLACES	± 0.2	DRWN: MIKEDA01	2021/04/06					5013300000-SD	
2 PLACES	± 0.2	CHK'D: SAKIYAMA	2021/04/06					DOC TYPE	DOC PART
1 PLACE	± 0.2	APPR: KOMURAKAMI	2021/04/06					000	D
0 PLACES	± 0.2	INITIAL REVISION:						REVISION	
		DRWN: AISHIKAWA	2019/03/12						
		APPR: KOMURAKAMI	2019/04/05						
DRAFT WHERE APPLICABLE MUST REMAIN WITHIN DIMENSIONS	THIRD ANGLE PROJECTION	DRAWING	SERIES	MATERIAL NUMBER	CUSTOMER	SHEET NUMBER			
		A3-SIZE	501330	501330****	GENERAL	4 OF 4			