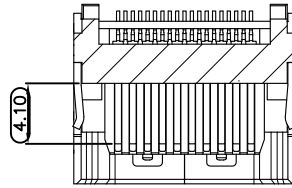


APPROVED: \_\_\_\_\_  
 DATE: \_\_\_\_\_ TITLE: \_\_\_\_\_

Rev	AWO #	Description	Date	Appr
-		RELEASED	10/5/06	
A		UPDATED DRAWING	10/19/18	HR/IW



SECTION A-A

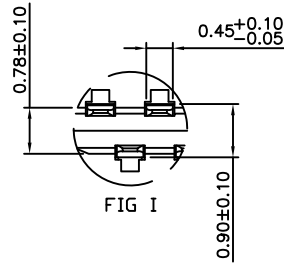
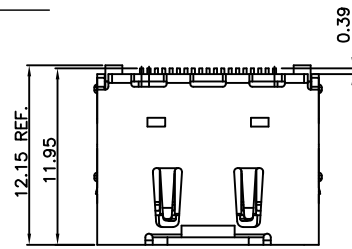


FIG I

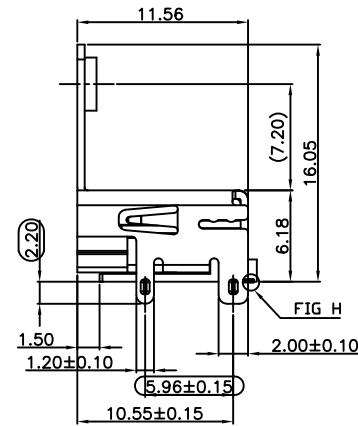
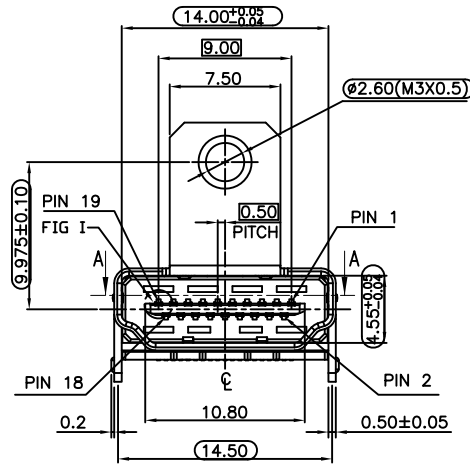


FIG H

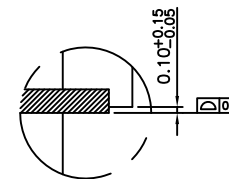
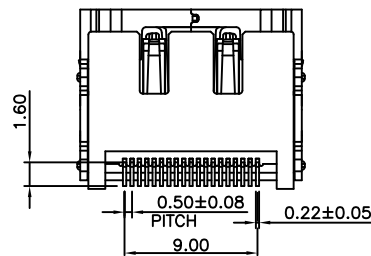


FIG H

**SPECIFICATIONS:**

Material:  
 Insulator: Hi-Temp Thermoplastic, rated UL 94V-0  
 Insulator color: Black  
 Contacts: Copper Alloy  
 Shield: Copper Alloy, Nickel Plated  
 Plating:  
 Gold Flash over Nickel underplate on contact area,  
 Tin over Nickel underplate on tails  
 Environmental:  
 Lead free, RoHS compliant.



UNLESS OTHERWISE SPECIFIED  
 ALL DIMENSIONS ARE MILLIMETERS  
 TOLERANCES: EXCEPT AS NOTED

MM	ANG.
0. ± 0.3	
0.0 ± 0.25	± 1°
0.00 ± 0.20	

APPROVALS		DATE
DRAWN	SS	10/5/06
CHECKED		
APPROVED		

**ADAM TECH** INTERCONNECTS  
 909 Rahway Avenue,  
 Union, NJ 07083  
 Phone: 908-687-5000  
 Fax: 908-687-5710

TITLE: HDMI CONNECTOR, 19 POS, RIGHT ANGLE  
 SURFACE MOUNT, NO PEG, FLANGE

SIZE X	PART NO. HDMI-S-RA-SMT-MF	REV. A
REF: S00013T	SCALE: NTS	SHEET 1 OF 2

6 5 4 3 2 1

APPROVED: \_\_\_\_\_  
 DATE: \_\_\_\_\_ TITLE: \_\_\_\_\_

Rev	AWO #	Description	Date	Appr
SEE SHT 1 OF 2 FOR REVISION				

RECOMMENDED PCB LAYOUT (THICKNESS=1.6±0.15mm)  
 TOLERANCES: ±0.05mm

REFERENCE PANEL CUT OUT DIMENSION

REFERENCE MOUNT DIMENSION

UNLESS OTHERWISE SPECIFIED  
 ALL DIMENSIONS ARE MILLIMETERS  
 TOLERANCES: EXCEPT AS NOTED

MM	ANG.
0. ± 0.3	
0.0 ± 0.25	± 1°
0.00 ± 0.20	

**ADAM TECH** INTERCONNECTS  
 909 Rahway Avenue,  
 Union, NJ 07083  
 Phone: 908-687-5000  
 Fax: 908-687-5710

APPROVALS		DATE
DRAWN	SS	10/5/06
CHECKED		
APPROVED		

TITLE  
 HDMI CONNECTOR, 19 POS, RIGHT ANGLE  
 SURFACE MOUNT, NO PEG, FLANGE

SIZE X	PART NO. HDMI-S-RA-SMT-MF	REV. A
REF: S00013T	SCALE: NTS	SHEET 2 OF 2

6 5 4 3 2 1