

THIS DRAWING IS UNPUBLISHED.

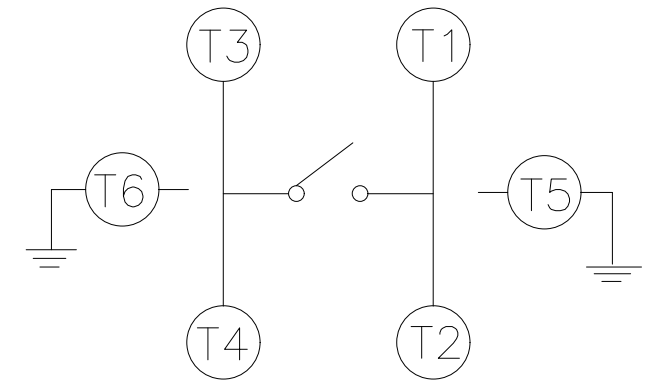
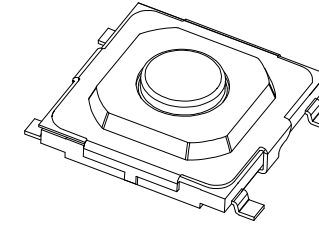
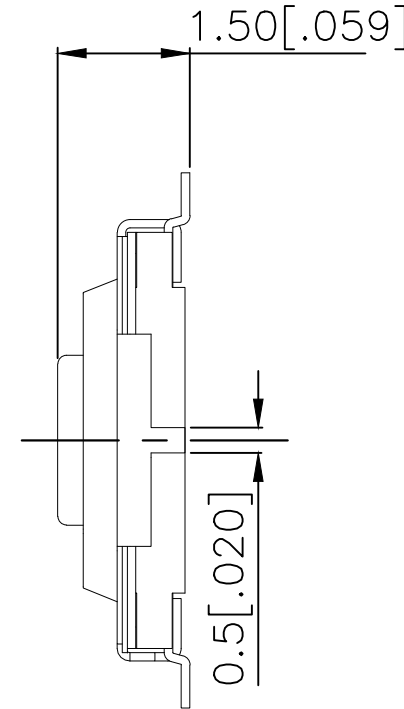
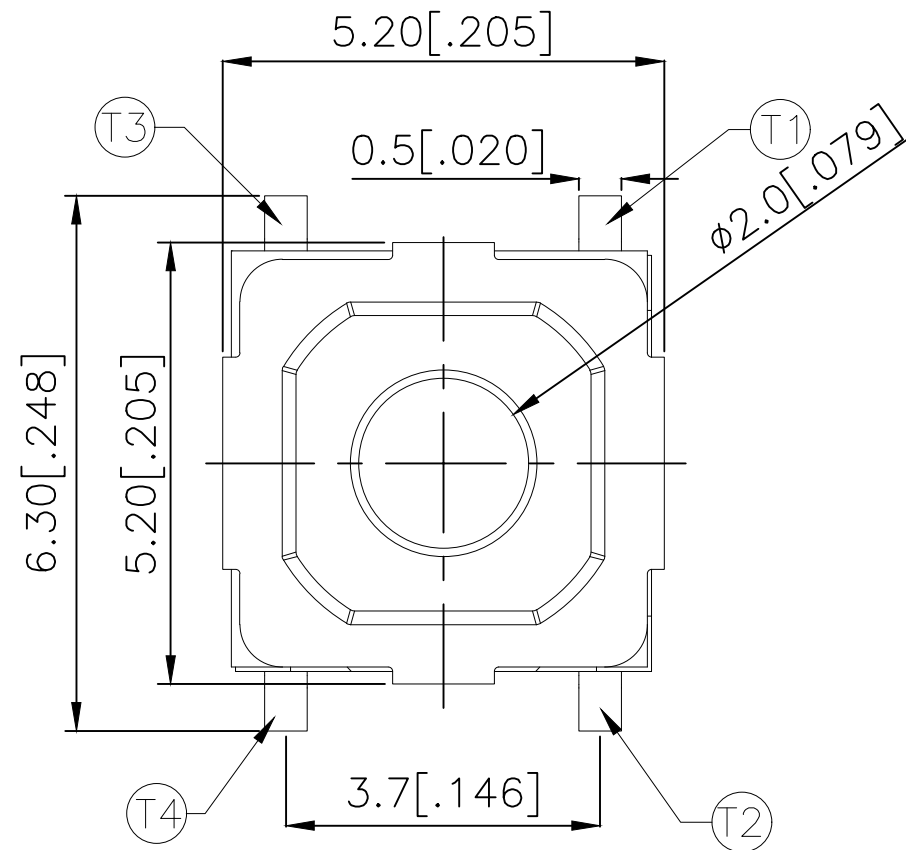
RELEASED FOR PUBLICATION

ALL RIGHTS RESERVED.

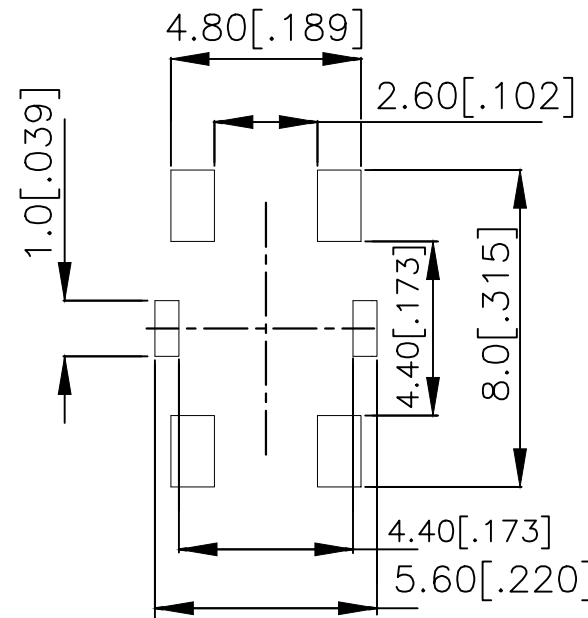
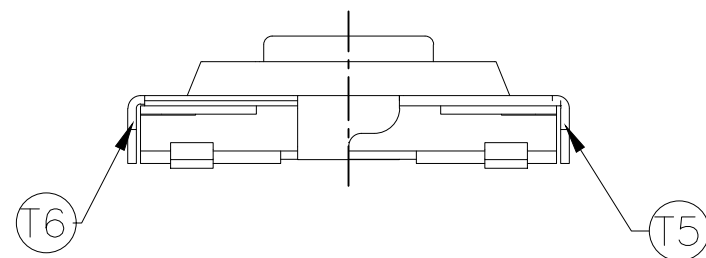
© COPYRIGHT - TE Connectivity Ltd.

REVISIONS

| P | LTR | DESCRIPTION | DATE | DWN | APVD |
|---|-----|---------------------------|-----------|-----|------|
| B | | REVISED PER ECR-19-004770 | 10APR2019 | SR | DD |



CIRCUIT DIAGRAM



P.C.B LAYOUT

| | | |
|----------------------|-------------------|-------------|
| 260±50 | MSLPT5252BG4MTR | 2337237-4 |
| 160±50 | MSLPT5252BG3MTR | 2337237-3 |
| 100±50 | MSLPT5252BG2MTR | 2337237-2 |
| 70±50 | MSLPT5252BG1MTR | 2337237-1 |
| ACTUATION FORCE (gf) | SMART PART NUMBER | PART NUMBER |

THIS DRAWING IS A CONTROLLED DOCUMENT.

| DIMENSIONS: | TOLERANCES UNLESS OTHERWISE SPECIFIED: |
|-------------|--|
| mm [INCHES] | |
| | 0 PLC ± - |
| | 1 PLC ± - |
| | 2 PLC ± 0.2 [.008] |
| | 3 PLC ± - |
| | 4 PLC ± - |
| | ANGLES ± - |
| MATERIAL | FINISH |
| - | - |

| | | |
|------------------|------------------|-----------|
| DWN | GANESH C M | 04JUL2018 |
| CHK | ALEXANDER SHARPE | 04JUL2018 |
| APVD | ALEXANDER SHARPE | 04JUL2018 |
| PRODUCT SPEC | - | - |
| APPLICATION SPEC | - | - |
| WEIGHT | - | - |
| CUSTOMER DRAWING | | |

| | | | |
|--|-----------|------------|---------------|
| STE TE Connectivity Ltd. | | | |
| NAME SWITCH, TACTILE, LOW-PROFILE, MINI, 5.2 x 5.2 x 1.5, GULLWING | | | |
| SIZE | CAGE CODE | DRAWING NO | RESTRICTED TO |
| A3 | 00779 | C-2337237 | - |
| SCALE | | SHEET | REV |
| NTS | | 1 of 3 | B |

THIS DRAWING IS UNPUBLISHED.

RELEASED FOR PUBLICATION

© COPYRIGHT - TE Connectivity Ltd.

ALL RIGHTS RESERVED.

REVISIONS

| P | LTR | DESCRIPTION | DATE | DWN | APVD |
|---|-----|-------------|------|-----|------|
| - | - | SEE SHEET 1 | - | - | - |

NOTES:

1. MATERIALS:

TERMINAL: COPPER ALLOY, SILVER OVER NICKEL FINISH
 BASE: THERMOPLASTIC, BLACK
 ACTUATOR: STEEL, NICKEL FINISH
 TAPE: POLYTETRAFLUOROETHYLENE
 CONTACT: STAINLESS STEEL, SILVER OVER NICKEL FINISH
 COVER: NICKEL SILVER

2. COMPLIANCE:

ALL MATERIALS AND FINISHES SHALL COMPLY WITH EU DIRECTIVE 2002/95/EC OF 27JAN2003(RoHS)

3. SPECIFICATIONS:

RATING: 50 mA, 12V DC
 CONTACT RESISTANCE: 100mΩ MAXIMUM (INITIAL)
 INSULATION RESISTANCE: 100MΩ MINIMUM (INITIAL)
 DIELECTRIC STRENGTH: 250V AC, 1 MINUTE
 OPERATING LIFE: 2337237-1 (70gf) = 1,000,000 CYCLES WITH LOAD
 2337237-2 (100gf) = 1,000,000 CYCLES WITH LOAD
 2337237-3 (160gf) = 1,000,000 CYCLES WITH LOAD
 2337237-4 (260gf) = 200,000 CYCLES WITH LOAD

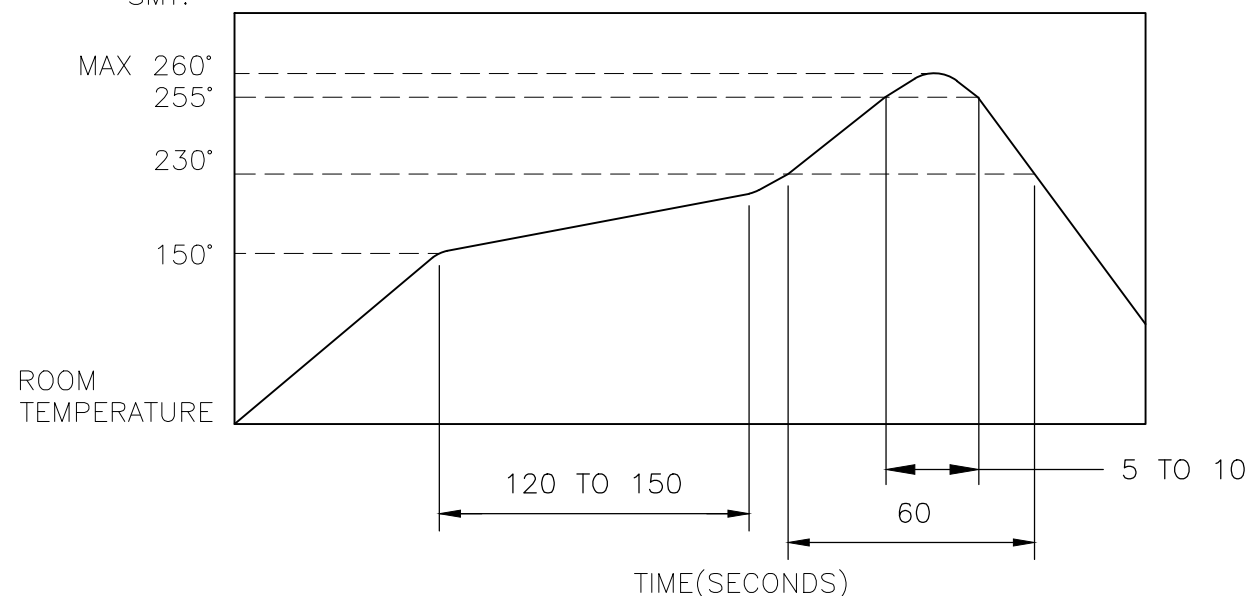
TRAVEL: 0.25^{+0.1}/_{0.2} [.010^{+0.004}/_{0.008}]

ACTUATION FORCE: 2337237-1 = 70±50gf
 2337237-2 = 100±50gf
 2337237-3 = 160±50gf
 2337237-4 = 260±50gf

OPERATING TEMPERATURE: -25° TO 70°C
 STORAGE TEMPERATURE: -30° TO 80°C

4. SOLDER CONDITIONS :

SMT:



THE CONDITON NOTED ABOVE IS THE TEMPERATURE OF THE COPPER FOIL ON THESURFACE OF THE PCB. THERE ARE CASES WHERE THE TEMPERATURE OF THE BOARD GREATLY DIFFERS FROM THE SURFACE OF THE SWITCH. DO NOT ALLOW THE SURFACE TEMPERATURE OF THE SWITCH TO EXCEED 260°C.

MANUAL SOLDERING:

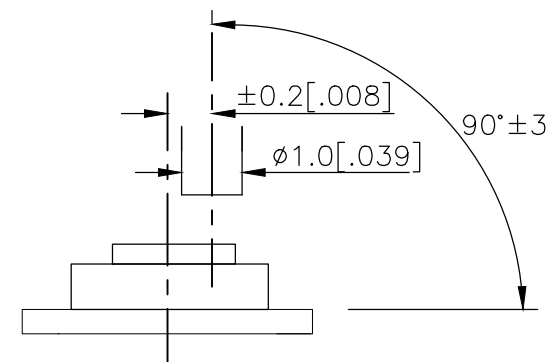
| | |
|---------------------------|-------------------|
| SOLDERING TEMPERATURE | 350°C MAXIMUM |
| CONTINUOUS SOLDERING TIME | 5 SECONDS MAXIMUM |

HANDLING PRECAUTIONS:

- CARE SHOULD BE EXERCISED SO THAT FLUX FROM THE TOP SURFACE OF THE PRINTED CIRCUIT BOARD DOES NOT ADHERE TO THE SWITCH.
- DO NOT WASH THE SWITCH

5. OPERATING PRECAUTIONS:

- DO NOT ACTUATE THE SWITCH WITH EXCESSIVE FORCE
- DISCONTINUE FORCE AFTER THE SWITCH HAS BEEN ACTUATED SO AS TO AVOID DEFORMATION OF THE COMPONENTS OF THE SWITCH. DEFORMATION OF THE COMPONENTS MAY CAUSE THE SWITCH TO MALFUNCTION.
- ALIGN THE PLUNGER WITH THE SWITCH TO INSURE PROPER OPERATION

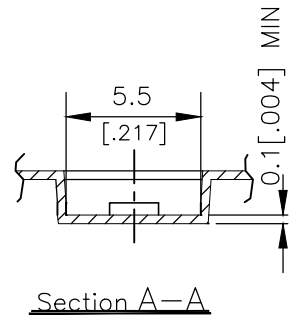
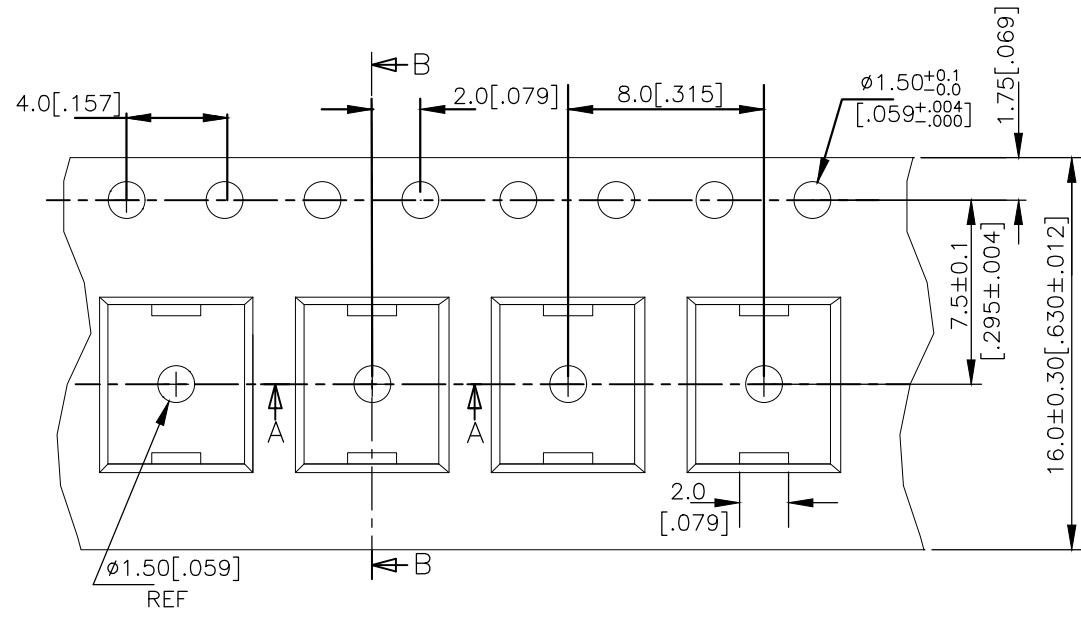


| | | | | | |
|--|--|---------------------------------|--|--|--|
| THIS DRAWING IS A CONTROLLED DOCUMENT. | | DWN GANESH C M 04JUL2018 | TE Connectivity Ltd. | | |
| DIMENSIONS: mm [INCHES] | | CHK ALEXANDER SHARPE 04JUL2018 | | | |
| TOLERANCES UNLESS OTHERWISE SPECIFIED: | | APVD ALEXANDER SHARPE 04JUL2018 | SIZE A3 CAGE CODE 00779 DRAWING NO C-2337237 RESTRICTED TO - | | |
| 0 PLC ± - 1 PLC ± - 2 PLC ± 0.2 [.008] 3 PLC ± - 4 PLC ± - ANGLES ± - | | PRODUCT SPEC - | | | |
| MATERIAL - | | APPLICATION SPEC - | CUSTOMER DRAWING | | |
| FINISH - | | WEIGHT - | | | |

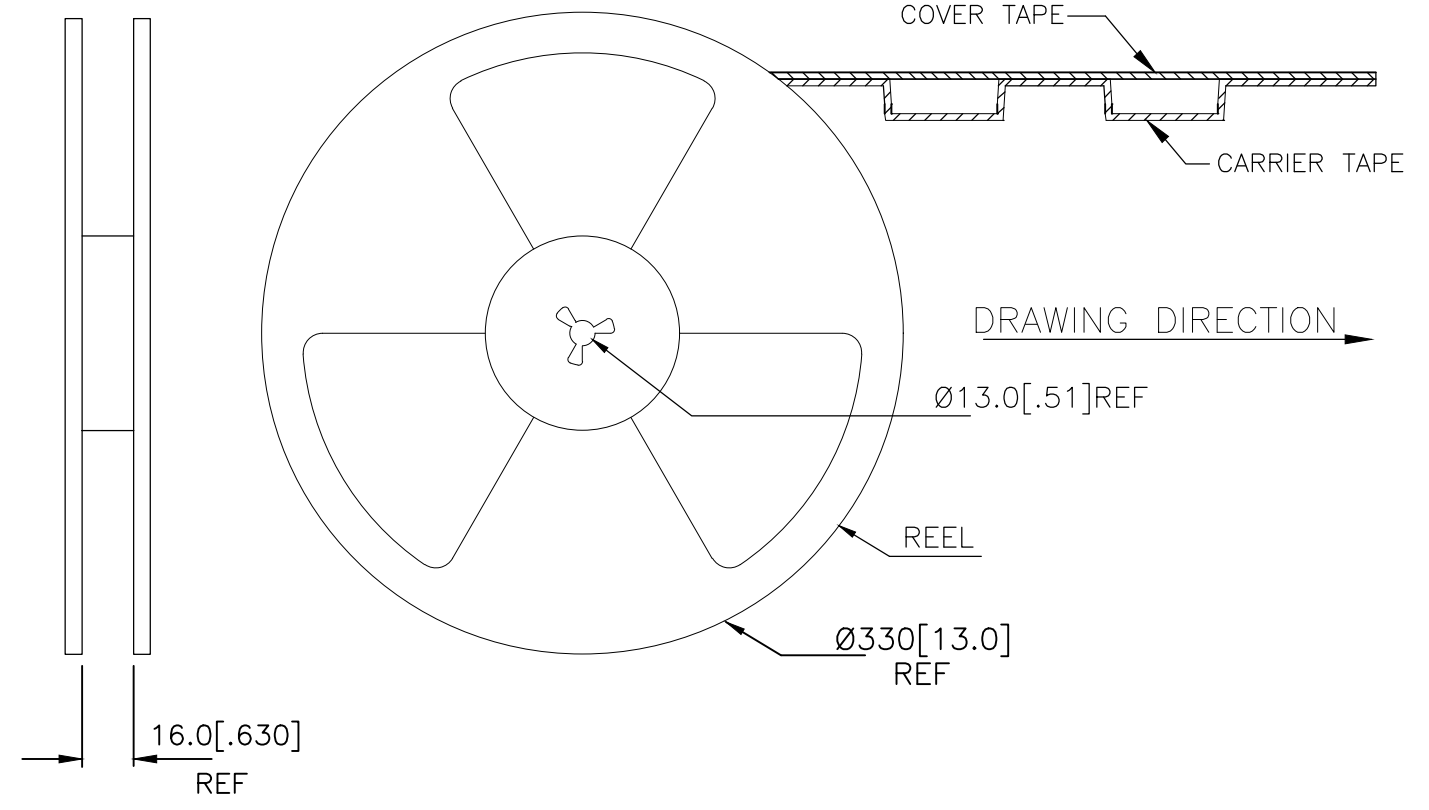
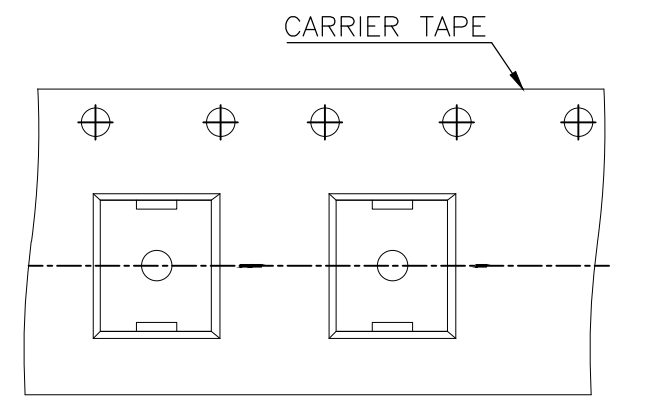
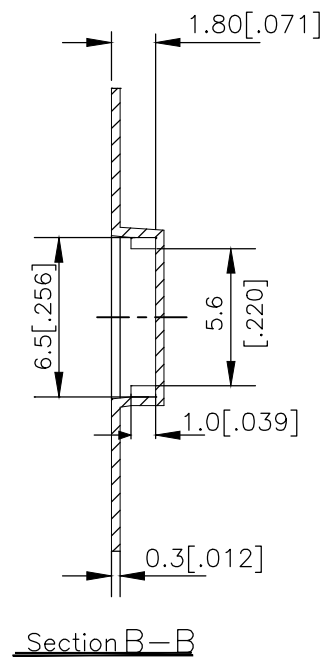
THIS DRAWING IS UNPUBLISHED. RELEASED FOR PUBLICATION
 © COPYRIGHT - TE Connectivity Ltd. ALL RIGHTS RESERVED.

| REVISIONS | | | | | |
|-----------|-----|-------------|------|-----|------|
| P | LTR | DESCRIPTION | DATE | DWN | APVD |
| - | - | SEE SHEET 1 | - | - | - |

THE DIMENSIONS OF CARRIER TAPE AND REEL:



ORIENTATION OF PILOT HOLES



6. PACKAGING:

1. THE TAPE AND REEL ARE SHOWN FOR CUSTOMER APPLICATION REFERENCE. PACKAGING NOTES 3 AND 4 ARE REQUIRED BUT NOT ILLUSTRATED.
2. 4,000 SWITCHES PER REEL.
3. THE REEL, DESICCANT POUCH AND HUMIDITY CARD ARE SEALED IN A MOISTURE BARRIER BAG PER THE CURRENT REVISION OF IPC/JEDEC J-STD-033, MSL 2A REQUIREMENTS.
4. THE MOISTURE BARRIER BAG IS LABELED PER THE CURRENT REVISION OF IPC/JEDEC J-STD-033, MSL 2A REQUIREMENTS.

| | | | | | | | | | | | |
|--|--|--------------|------------------|--------|-----------|---|----------------------|--|------------|---------------|---|
| THIS DRAWING IS A CONTROLLED DOCUMENT. | | DWN | GANESH C M | | 04JUL2018 | | TE Connectivity Ltd. | | | | |
| DIMENSIONS: mm [INCHES] | | CHK | ALEXANDER SHARPE | | 04JUL2018 | | | | | | |
| TOLERANCES UNLESS OTHERWISE SPECIFIED: | | APVD | ALEXANDER SHARPE | | 04JUL2018 | | NAME | | | | |
| 0 PLC ± - 1 PLC ± - 2 PLC ± 0.2 [.008] 3 PLC ± - 4 PLC ± - ANGLES ± - | | PRODUCT SPEC | | - | | - | | SWITCH, TACTILE, LOW-PROFILE, MINI, 5.2 x 5.2 x 1.5, GULLWING | | | |
| MATERIAL | | FINISH | | - | | - | | RESTRICTED TO | | | |
| - | | - | | - | | - | | - | | | |
| CUSTOMER DRAWING | | | | WEIGHT | - | | SIZE | CAGE CODE | DRAWING NO | RESTRICTED TO | |
| - | | | | - | | - | | A3 | 00779 | C-2337237 | - |
| - | | | | - | | - | | SCALE | SHEET | REV | |
| - | | | | - | | - | | NTS | 3 OF 3 | B | |