

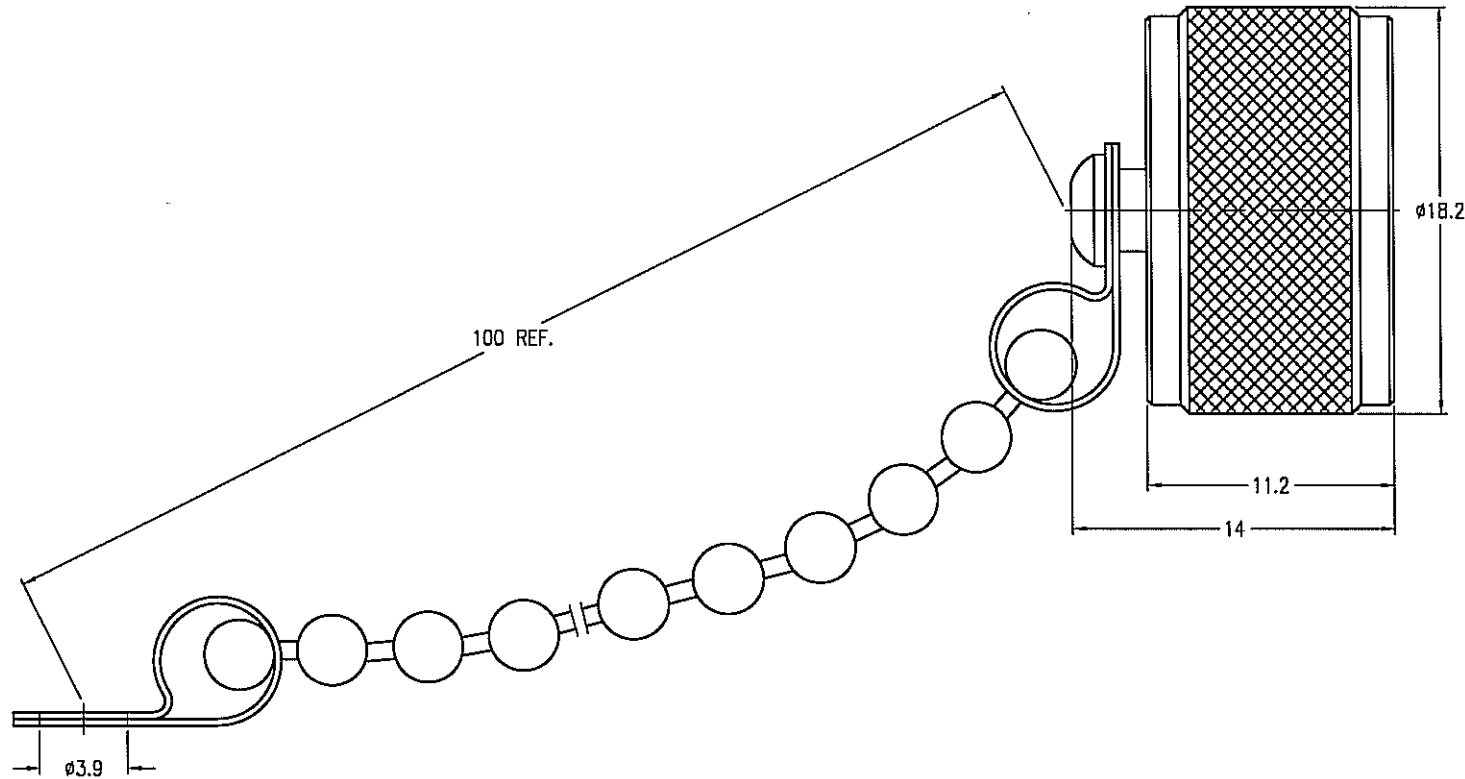
NOTES:

1. MATERIALS AND FINISHES(PLATING THICKNESS IN MICRO-INCHES):
 - SHELL - BRASS, NICKEL PLATING
 - CHAIN - BRASS, NICKEL PLATING
 - INSULATOR - PTFE
2. ELECTRICAL:
 - A. FREQUENCY RANGE: DC 0-300 Hz
 - B. DIELECTRIC WITHSTANDING VOLTAGE: 1000 VRMS, MIN.
3. MECHANICAL:
 - A. DURABILITY: 500 CYCLES MIN.
 - B. TEMPERATURE RANGE: - 65°C to +165°C

THIRD ANGLE PROJ. 

REVISIONS

REV	DESCRIPTION	DATE	ECO	APPR
A	U1005A1-N WAS N1005A1\TONY. T\02-07-95'	07-Feb-95	---	---
B	DRAWING NO. WERE CHANGED ON ITEM 2 AND NO.3	23-Sep-96	---	TONY
C	SEE SHEET 1	30-Mar-99	---	---
D	SEE SHEET 1	08-Dec-04	---	SH
E	REDRAWN TO UPDATE FORMAT	09-Jul-08	---	SHE



CUSTOMER OUTLINE DRAWING

ALL OTHER SHEETS ARE FOR INTERNAL USE ONLY

UNLESS OTHERWISE SPECIFIED, DIMENSIONS ARE IN METRIC AND TOLERANCES ARE: 0.5 - 6mm ±0.1mm 6 - 30mm ±0.2mm 30 - 120mm ±0.3mm ANGLES ±1'	MATERIAL	DRAWN AFSUN	DATE 15-Dec-04	TITLE UHF MALE CAP WITH CHAIN			Amphenol RF	
	REFERENCE	ENGINEER S.HSIEH	DATE 15-Dec-04				Danbury CT USA, Tainan Taiwan, Shenzhen China www.amphenolrf.com	
		APPROVED S.HSIEH	DATE 15-Dec-04	DRAWING NO. U1005A1-N				
		CAD FILE F:\DWG\U\1005A1\N-ESZ	SCALE: 3/1	SHEET 2 OF 2	ITEM NO. 061005AAA00NHOF			
FINISH		DWG SIZE B	CODE ID 74868	REV E	PART NO. 083-1AC-RFX			

NOTICE - These drawings, specifications, or other data (1) are, and remain the property of Amphenol Corp. (2) must be returned upon request; and (3) are confidential and not to be disclosed to any person other than those to whom they are given by Amphenol Corp. The furnishing of these drawings, specifications, or other data by Amphenol Corp., or to any other person to anyone for any purpose is not to be regarded by implication or otherwise in any manner licensing, granting rights or permitting such holder or any other person to manufacture, use or sell any product, process or design, patented or otherwise, that may in any way be related to or disclosed by said drawings, specifications, or other data.