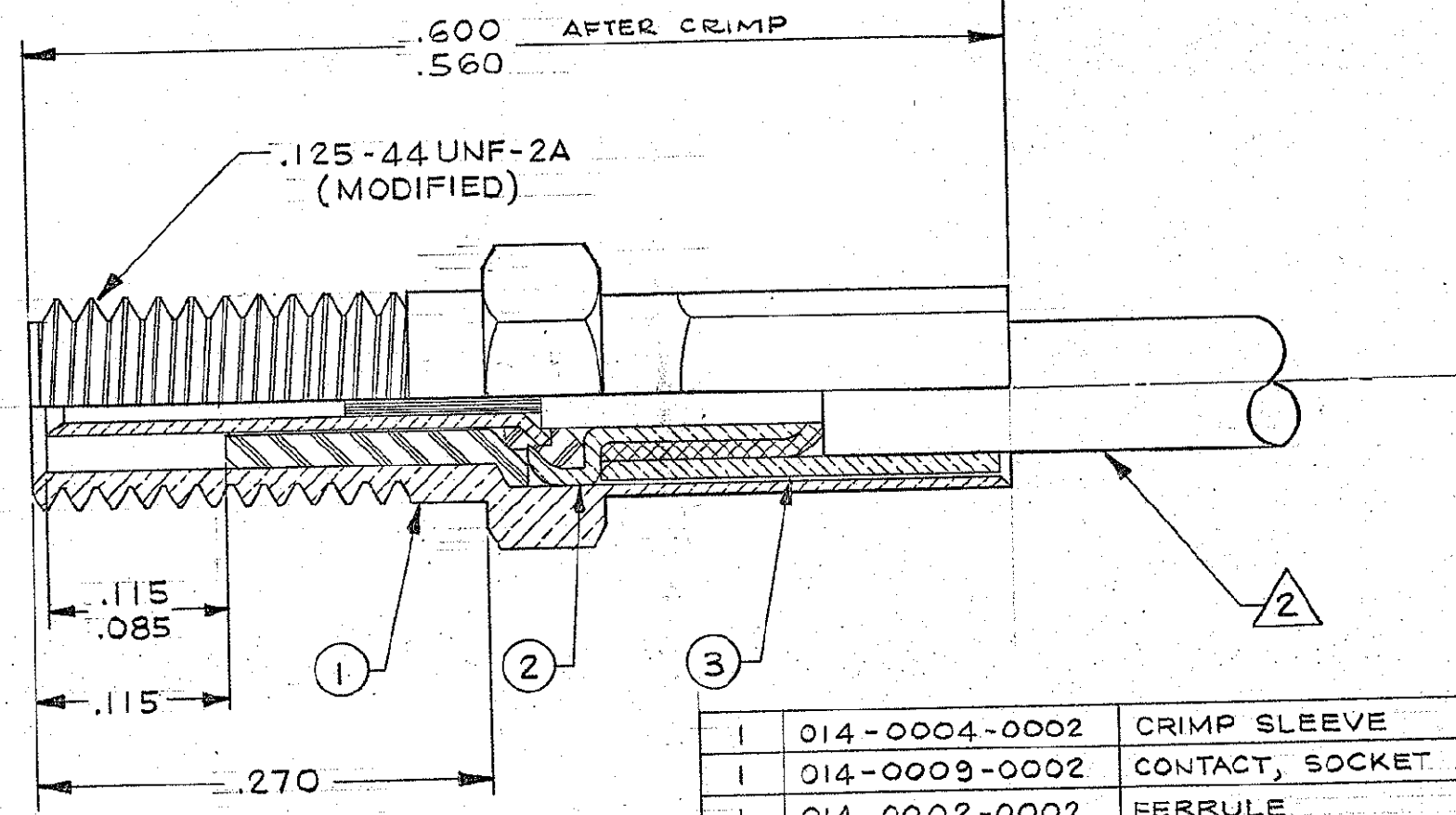
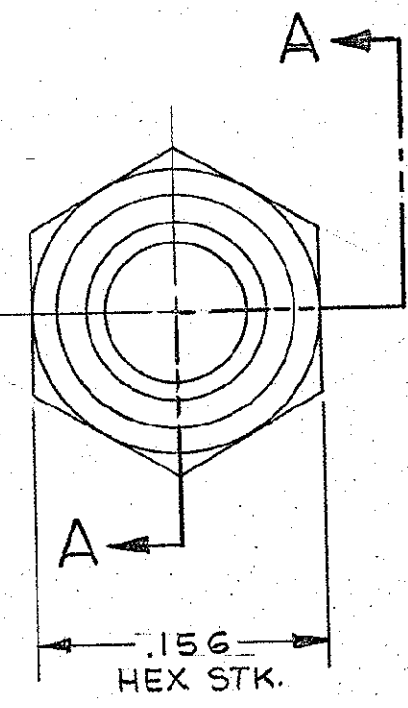


REVISIONS					
ZONE	LTR	ECN	DESCRIPTION	DATE	APPROVED
	D	23320	REVISED & REDRAWN	5-4-78	PM
	E	39702	UPDATE REV LETTER.	12-3-99	PM

SECTION A-A



- NOTES: UNLESS OTHERWISE SPECIFIED**
1. ALL METALLIC PARTS ARE GOLD PLATED PER MIL-G-45204, TYPE II, GRADE C, CLASS I.
 2. CABLE ACCEPTANCE DIMENSIONS - CENTER COND. .012 NOM., DIELECTRIC .040 MAX., JACKET .081 MAX.
 3. MATES WITH ALL LEPRA/CON 142 SCREW-ON SERIES PLUGS.
 4. SEE RF-ASMB-12 FOR CABLE ASSEMBLY INSTRUCTIONS. ASSY. TOOL REQUIRED: 010-0132-0000 FOR HOUSING AND 010-0150-0000 FOR CONTACT.

QTY.	PART NO.	DESCRIPTION	MATERIAL	ITEM NO.
1	014-0004-0002	CRIMP SLEEVE	LEADED COPPER OR O.F.H.C. COPPER	3
1	014-0009-0002	CONTACT, SOCKET	LEADED COPPER OR O.F.H.C. COPPER	
1	014-0002-0002	FERRULE	BRASS, QQ-B-626	
1	014-0001-0001	INSULATOR, FERRULE	TEFLON, L-P-403	
1	014-1009-0001	SOCKET CONTACT SUBASSY		2
1	014-0010-0002	HOUSING, STRAIGHT JACK	BRASS, QQ-B-626	
1	014-0011-0001	INSULATOR	TEFLON, L-P-403	
1	014-1010-0002	HOUSING SUBASSY		1

UNLESS OTHERWISE SPECIFIED DIMENSIONS ARE IN INCHES TOLERANCES ARE: FRACTIONS DECIMALS ANGLES ± .XX ± .010 ± 5° .XXX ±		CONTRACT NO.		MALCO A MICRODOT COMPANY, INC. 220 PASADENA AVE., SO. PASADENA, CALIF. 91030	PROD. CODE 946 CODE CDM
		APPROVALS	DATE		
MATERIAL NOTED		DRAWN	M. PAVICO	4-26-78	JACK, SCREW-ON LEPRA/CON
		CHECKED	C.E. HARTRICK	5-2-78	
FINISH NOTED		PR. ENG.	PM	5-3-78	SIZE B
		APPROVED			
NEXT ASSY		USED ON		DRAWING NO.	141-0000-0001
APPLICATION		DO NOT SCALE DRAWING		SCALE	10:1
				SHEET	1 OF 1