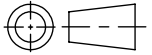
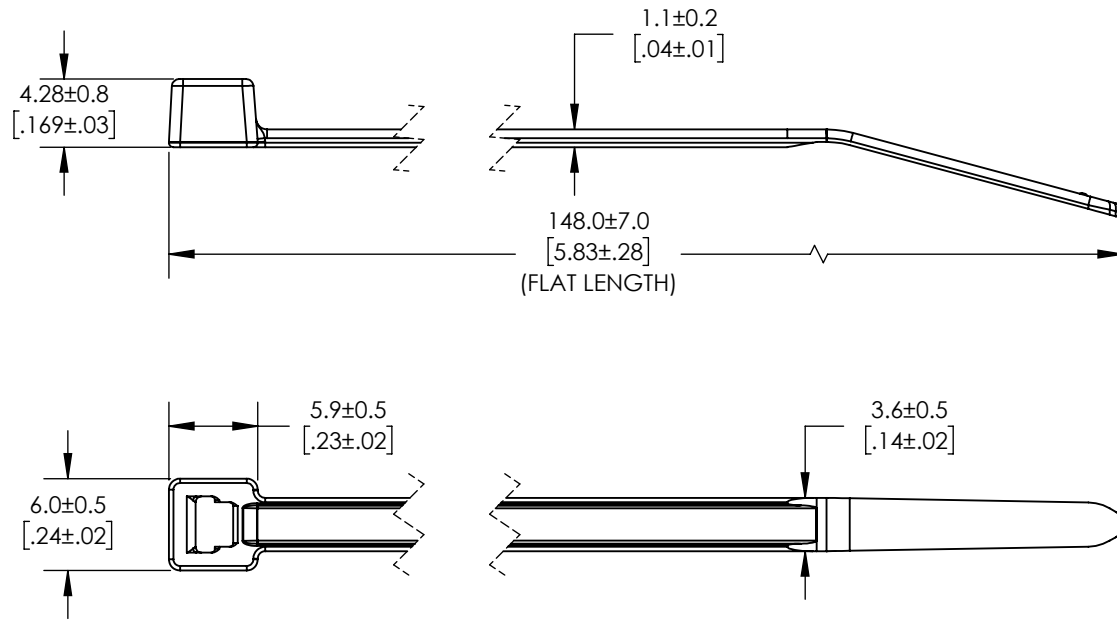


SW



Revision level			Revision Record	Changed	Date	Approved	Date
Drawing	State	Part					
00.0	Design Release	-	SEE ECN# 014691	CTF	10/10/2018	KAC	10/10/2018



GLOBAL PART DESCRIPTION	MATERIAL	COLOR	BUNDLE DIAMETER
T30R-PA12-BK	PA12	BLACK	1.5 to 33
T30R-PA46-BN	PA46	BROWN	1.5 to 35
T30R-PA46-GY	PA46	GREY	1.5 to 35
T30R-PA66-BK	PA66	BLACK	1.5 to 35
② T30R-PA66-BN	PA66	BROWN	1.5 to 35
② T30R-PA66-BU	PA66	BLUE	1.5 to 35
② T30R-PA66-GN	PA66	GREEN	1.5 to 35
② T30R-PA66-GY	PA66	GREY	1.5 to 35
② T30R-PA66-NA	PA66	NATURAL	1.5 to 35
② T30R-PA66-OG	PA66	ORANGE	1.5 to 35
② T30R-PA66-PE	PA66	PURPLE	1.5 to 35
② T30R-PA66-RD	PA66	RED	1.5 to 35
T30R-PA66-WH	PA66	WHITE	1.5 to 35
② T30R-PA66-YE	PA66	YELLOW	1.5 to 35
T30R-PA66HIRHSUV-BK	PA66HIRHSUV	BLACK	1.5 to 35
T30R-PA66HS-BK	PA66HS	BLACK	1.5 to 35
T30R-PA66HS-NA	PA66HS	NATURAL	1.5 to 35
T30R-PA66HSUV-BK	PA66HSUV	BLACK	1.5 to 35
② T30R-PA66UV-BK	PA66UV	BLACK	1.5 to 35
T30R-PA66V0-BK	PA66V0	BLACK	3 to 35

NOTES:

- THIS DRAWING SUPERCEDES CT2030001CST
- ② COMPLIES WITH AEROSPACE SPEC. SAE AS33671 TYPE 1 CLASS 1
- MINIMUM LOOP TENSILE STRENGTH = 135N

Material SEE CHART	Units: millimeters	The copyright of this drawing is reserved by HellermannTyton. It is issued on condition that it is not reproduced, copied, or disclosed to a third party, either wholly or in part, without the consent of HellermannTyton.	Drawn	CTF	10/10/2018	Article/Type-No T30R	Scale 2:1
	Tolerance defined on each dimension		Approved	KAC	10/10/2018		
			<p>North America Email: corp@htamericas.com Web: www.hellermann.tyton.com</p>			Drawing-No	Production : Phase
						<p>11-0341-001-CSU</p>	