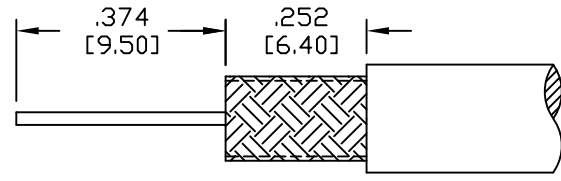
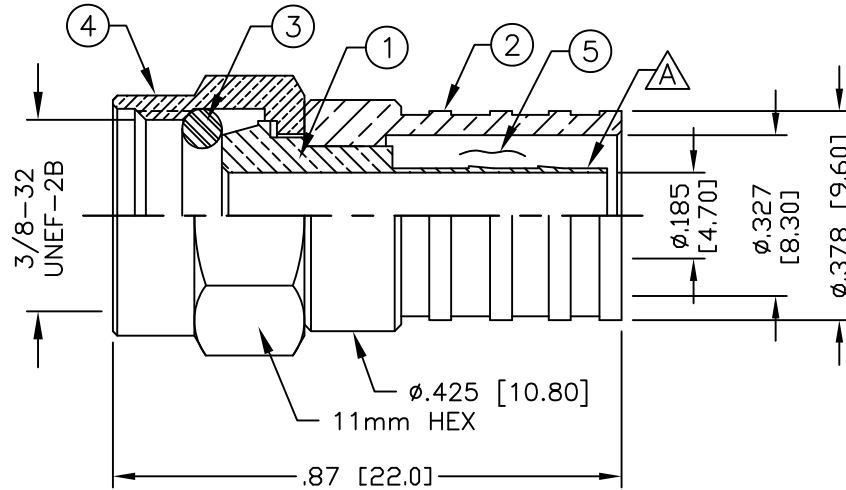


PART NO.		RFF-1402-08		
REV	DESCRIPTION	DWN	DATE	APPROVED
B	UPDATED DWG FORMAT & SPECS	CZS	06/16/20	JDMc



RECOMMENDED STRIPPING DIMENSIONS
 RECOMMENDED FERRULE CRIMP SIZE: .324"

NOTE: ITEM **A** SHOULD SLIDE UNDER
 CABLE JACKET WHEN INSERTING CABLE INTO CONNECTOR

SPECIFICATIONS:

IMPEDANCE: 75 Ohm
 RETURN LOSS: >30dB FOR 1GHz
 OPERATING TEMPERATURE RANGE: -40° TO 60°C
 FOR RG-6/U

5	GEL	1	SILICA GEL	CLEAR
4	SHELL	1	BRASS	NICKEL
3	O-RING	1	SILICONE	BLACK
2	FERRULE	1	BRASS	NICKEL
1	BODY	1	BRASS	NICKEL
#	DESCRIPTION	QTY	MATERIAL	FINISH

CUSTOMER OUTLINE DRAWING	
ALL DIMENSIONS ARE REFERENCE ONLY	
UNLESS OTHERWISE SPECIFIED: DIMENSIONS ARE IN INCHES AND [MILLIMETERS]	
DRAWN C. ZUÑIGA	06/16/20
CHECKED	
ORJ DRAWN C. ZUÑIGA	12/1/00

RoHS COMPLIANT

PROPRIETARY AND CONFIDENTIAL

THIS DRAWING CONTAINS INFORMATION PROPRIETARY TO RF INDUSTRIES, ANY UNAUTHORIZED USE OF THIS DRAWING IS EXPRESSLY PROHIBITED WITHOUT WRITTEN PERMISSION FROM RF INDUSTRIES. ANY VIOLATION IS PUNISHABLE UNDER U.S. COPYRIGHT LAWS.

RFINDUSTRIES.COM
 7610 MIRAMAR RD.
 SAN DIEGO, CA 92126
 (858) 549-6340
 DIVISION OF RF INDUSTRIES, LTD. (858) 549-6345 FAX

RFconnectors

F CRIMP PLUG
 FOR RG-6 CABLE

CABLE GROUP Q	DWG # RFF-1402-08	REVISION B
FORMAT A	SCALE NTS	CONTROL # 000000
		SHEET 1 OF 1