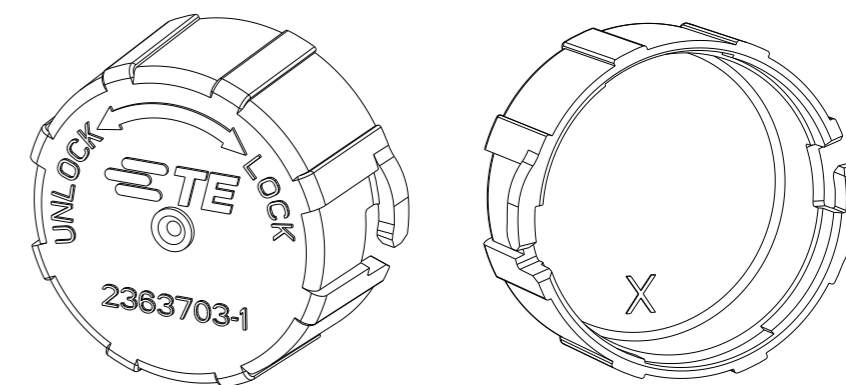
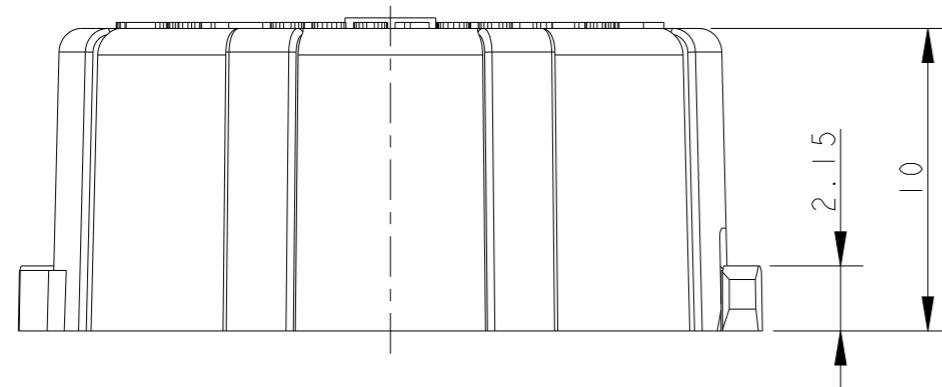
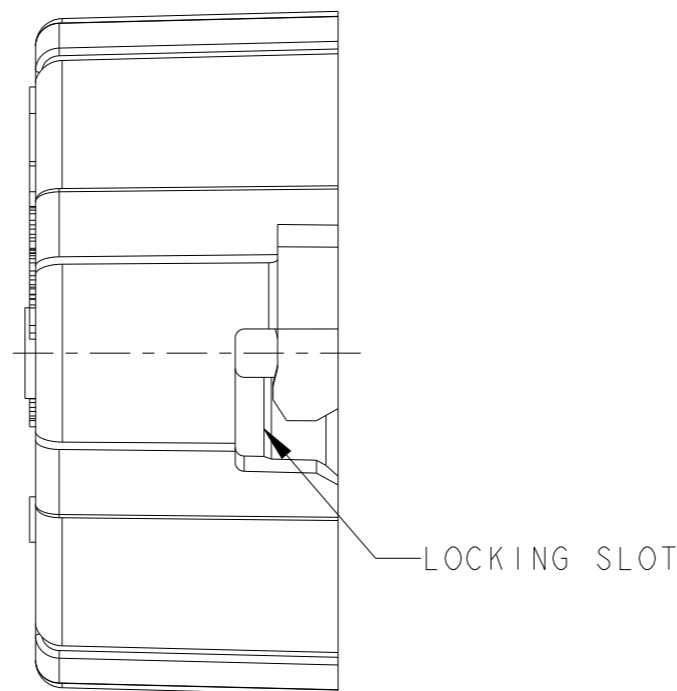
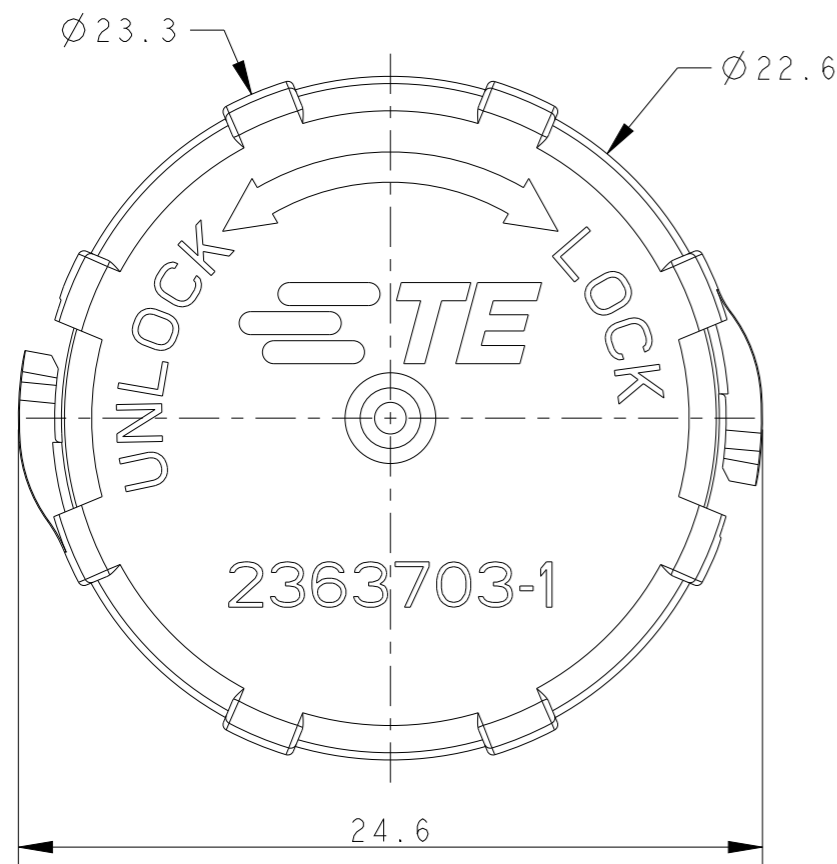


| P | LTR | DESCRIPTION | DATE | DWN | APVD |
|---|-----|-----------------|-----------|-----|------|
| | A | INITIAL RELEASE | 26NOV2020 | SM | MZ |
| | AI | RELEASED | 18MAR2022 | SM | MZ |
| | | | | | |
| | | | | | |

NOTES:

- MATERIALS:
PLASTIC: PBT+PC ALLOY, UL-V0 (BLACK COLOR)
- IP RATING: IP68
- FOR ASSEMBLY INSTRUCTIONS, REFER APPLICATION SPECIFICATION 114-133123
- PACKAGING: IN PE BAG



PN: 2363703-1 AS SHOWN
SCALE 2:1

| | | | | | |
|---------------------------------------------------------------------------|--|----------------------------|--------------------------------|------------------------------------------------|--------------------|
| THIS DRAWING IS A CONTROLLED DOCUMENT. | | DWN SUBHASH.M | 26NOV2020 | TE Connectivity | |
| DIMENSIONS: mm | | CHK M. ZUCCA | 26NOV2020 | | |
| TOLERANCES UNLESS OTHERWISE SPECIFIED: | | APVD PETER.OTT | 26NOV2020 | NAME NECTOR T, 3Pos, PIN CONNECTOR DUST CAP | |
| 0 PLC ±0.2 1 PLC ±0.2 2 PLC ±0.1 3 PLC ± 4 PLC ± ANGLES ±° | | PRODUCT SPEC 108-133123 | APPLICATION SPEC 114-133123 | | RESTRICTED TO |
| MATERIAL - | | FINISH - | WEIGHT - | SIZE A3 | CAGE CODE 00779 |
| | | CUSTOMER DRAWING | | DRAWING NO C-2363703 | SCALE 4:1 |
| | | | | SHEET 1 | OF 1 |
| | | | | REV AI | |