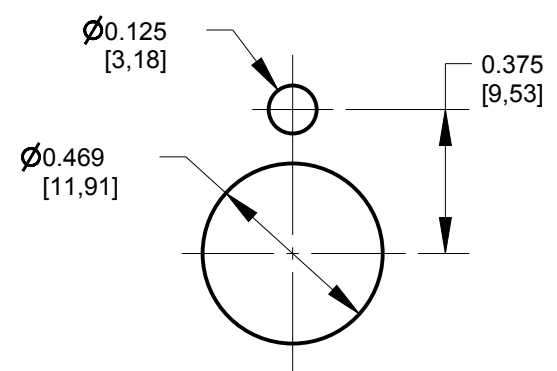
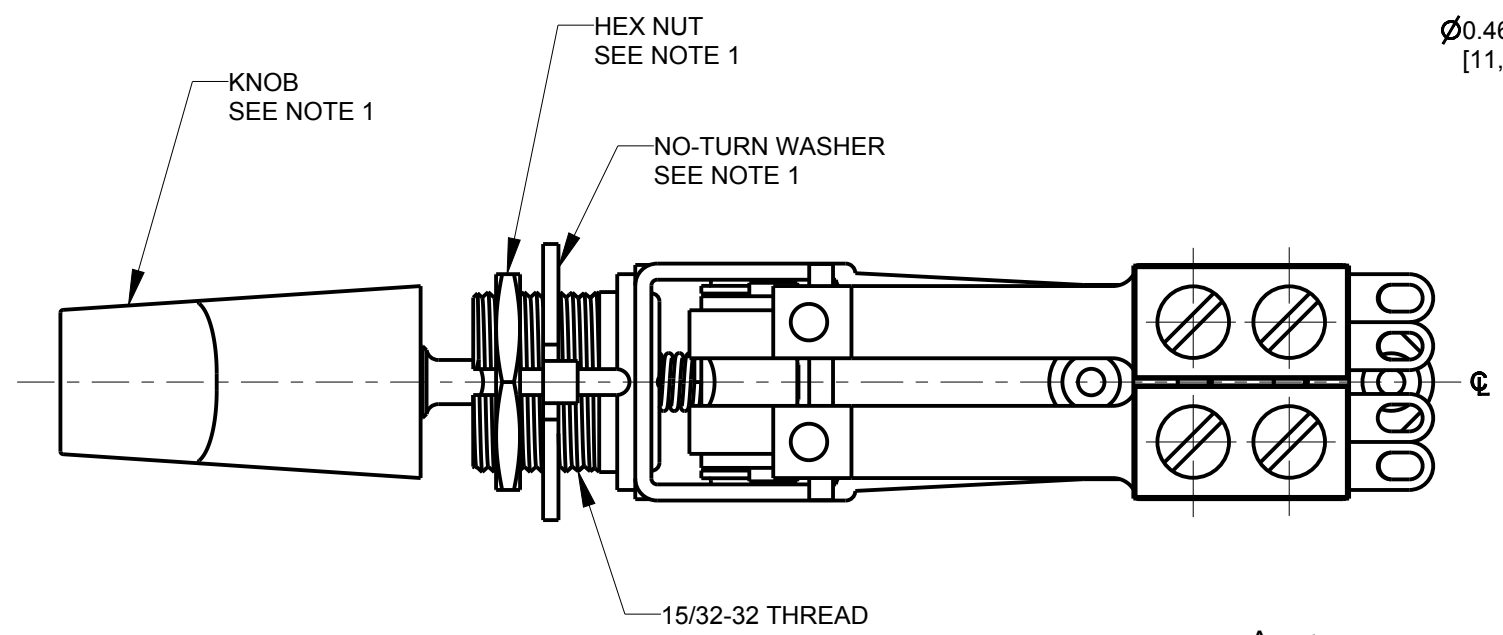
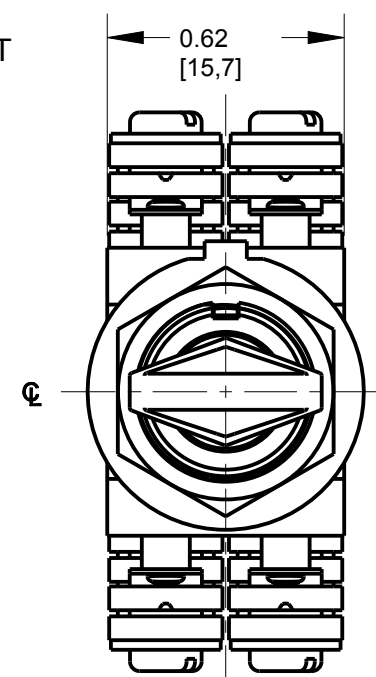
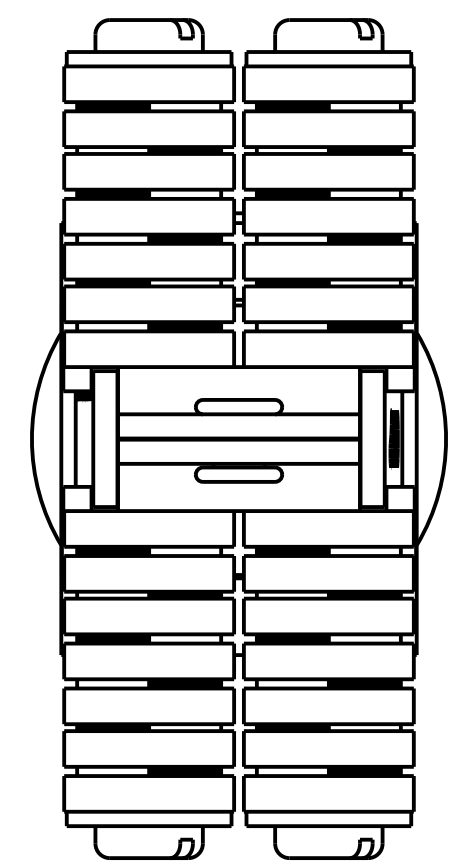
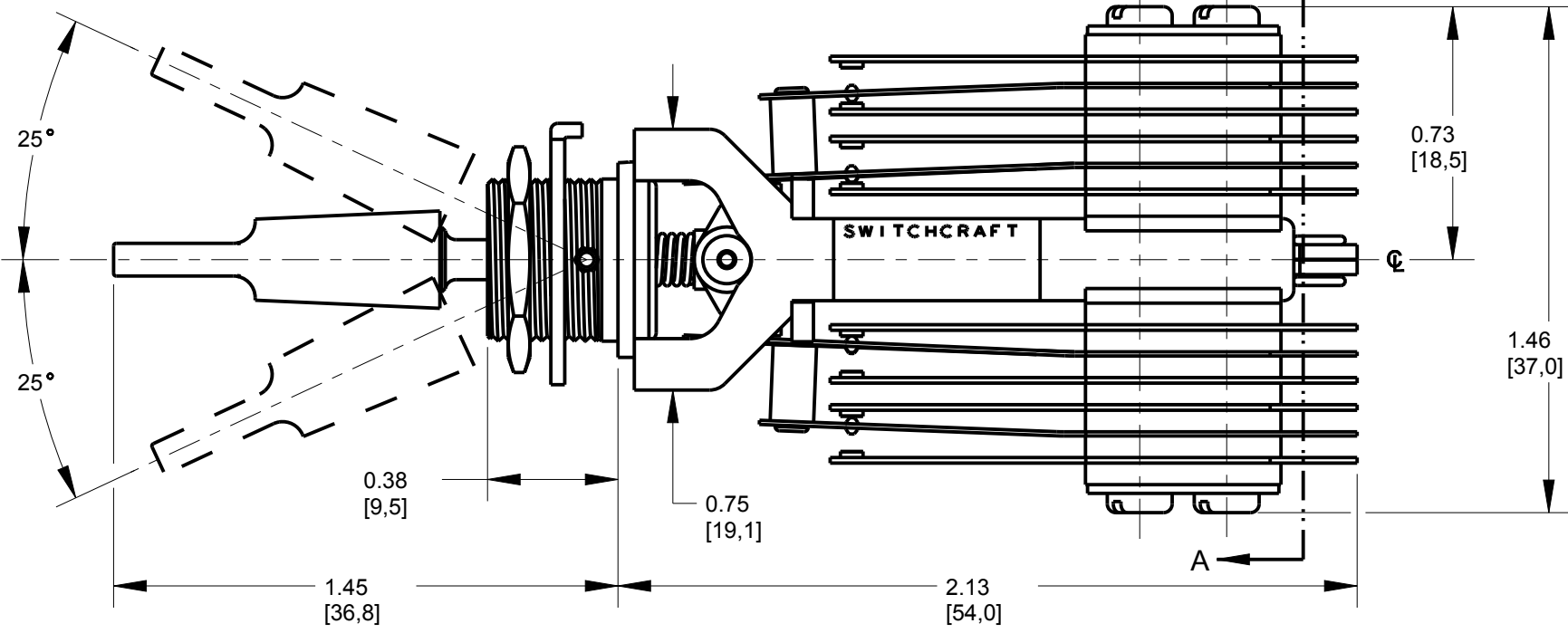


SCHMATIC CIRCUIT  
TYP (2)



RECOMMENDED PANEL CUT-OUT  
FOR USE WITH NO-TURN WASHER



SECTION A-A  
TERMINAL POSITIONS  
SCALE 3:1

CUSTOMER DRAWING

NOTES:  
1. KNOB AND HARDWARE SHIPPED UNASSEMBLED.

2. MAX PANEL THICKNESS: 0.25 [6.4]

3. MATERIALS:  
FRAME - CRS, ZINC PLATED  
BUSHING & ACTUATOR - COPPER ALLOY, NICKEL PLATED  
SPRINGS - SPECIAL COPPER ALLOY  
TERMINALS - TINNED DIPPED SOLDER LUGS  
INSULATORS - PHENOLIC  
LIFTERS & ROLLERS - THERMOPLASTIC  
SCREWS - CRS, NICKEL PLATED  
HEX NUT - COPPER ALLOY, NICKEL PLATED  
WASHER - CRS, NICKEL PLATED  
KNOB - THERMOPLASTIC, BLACK

4. THIS PRODUCT IS RoHS COMPLIANT

REV	ECO NUMBER	DATE	BY	APVD
A	27887	05-12-17	PC	TJK
REVISIONS				

★ STAR SYMBOL DENOTES CRITICAL DIMENSION

UNLESS OTHERWISE SPECIFIED

1. ALL DIMENSIONS IN INCHES  
-TWO PLACE DECIMALS ±0.01  
-THREE PLACE DECIMALS ±0.005  
-ANGLES ±1°  
-ALL DIA. CONCENTRIC WITHIN 0.005 T.I.R.

2. FEATURES ON THE SAME CENTERLINE  
MUST BE ALIGNED WITHIN ±0.002

3. REMOVE ALL BURRS

DO NOT SCALE DRAWING

THIS DRAWING DESCRIBES A DESIGN CONSIDERED PROPRIETARY IN NATURE, DEVELOPED AND MANUFACTURED BY SWITCHCRAFT INC. AND IS RELEASED ON A CONFIDENTIAL BASIS FOR IDENTIFICATION PURPOSES ONLY.				
SIZE	WIDTH	MULT	LBS/M	TEMPER
FINISH		MATERIAL		
SPEC No.		SPEC No.		
FIRST USED ON		SCALE		
		2:1		
DATE DRAWN	BY	CHKD	APVD	
May-15-19	PC	PC	TJK	
		05-15-19	05-15-19	
NAME				PART No.
LT SERIES LEVER SWITCH				41324X
3 POSITION NON-LOCK, RoHS				REV
				A
SHEET 1 OF 1				