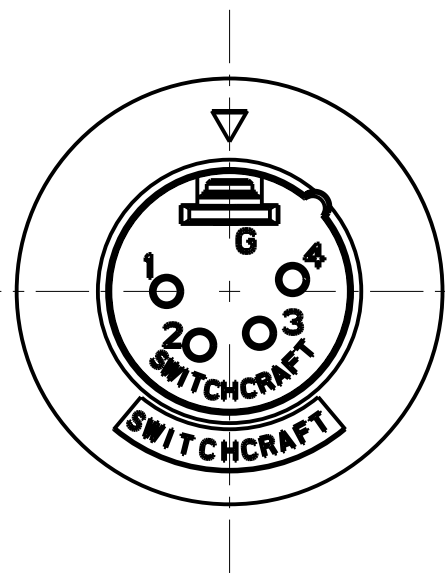
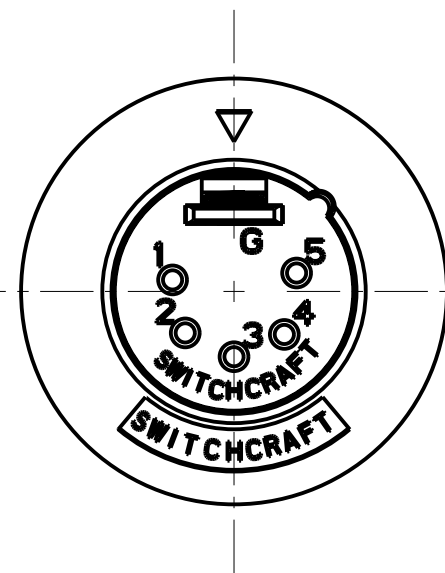


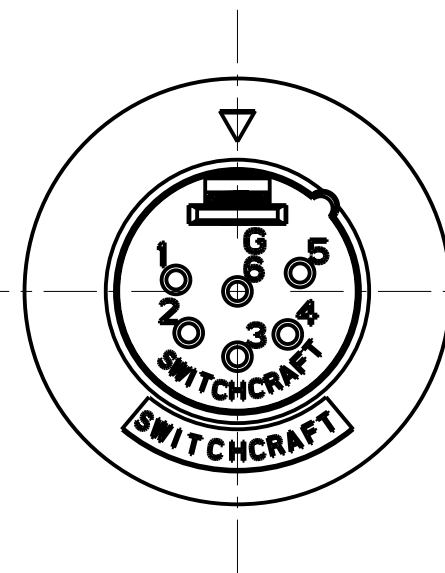
3 PIN



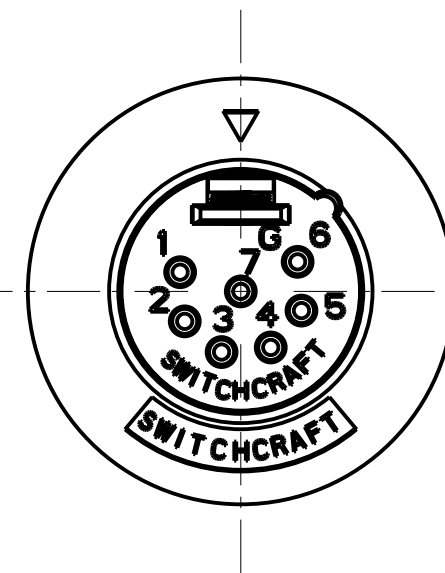
4 PIN



5 PIN

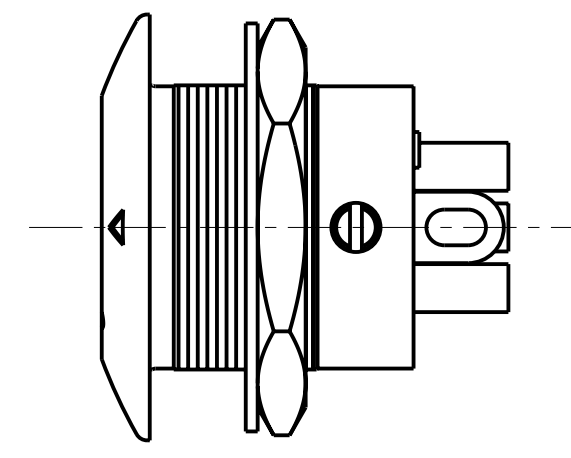


6 PIN



7 PIN

NOTES:  
1. ALL DIMENSIONS REF. UNLESS OTHERWISE SPECIFIED.



**STANDARD SERIES**

SCREW - STAINLESS STEEL  
 NUT - BRASS, NICKEL PLATED  
 HOUSING - ZINC, NICKEL PLATED  
 SOLDER TERMINAL - BRASS, ELECTRO TIN  
 INSULATOR - POLYESTER, GREEN (UL94V-0)  
 CONTACT PIN - BRASS, SILVER PLATED

CONTACT PLATING  
 BLANK = SILVER (STANDARD)  
 AU = GOLD

HOUSING FINISH  
 BLANK = NICKEL PLATE (STANDARD)  
 B = BLACK

NO. OF CONTACTS:  
 3 = 3 CONTACTS  
 4 = 4 CONTACTS  
 5 = 5 CONTACTS  
 6 = 6 CONTACTS  
 7 = 7 CONTACTS

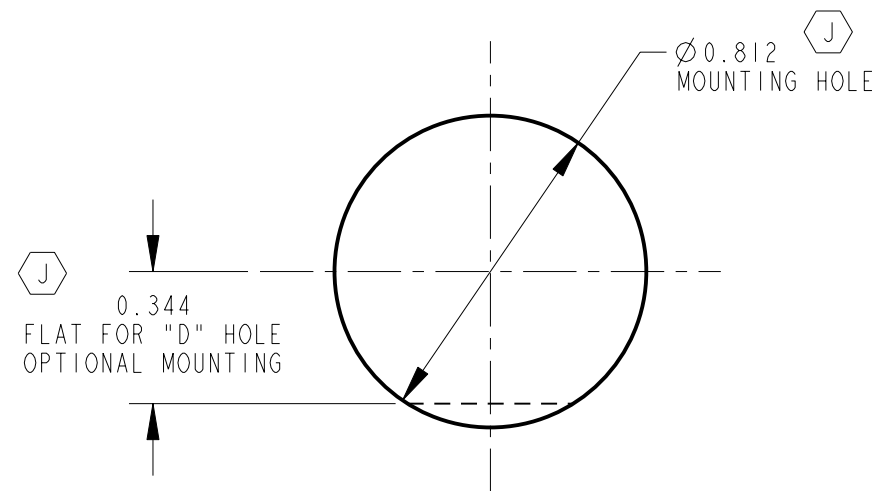
---

**PROFESSIONAL SERIES**

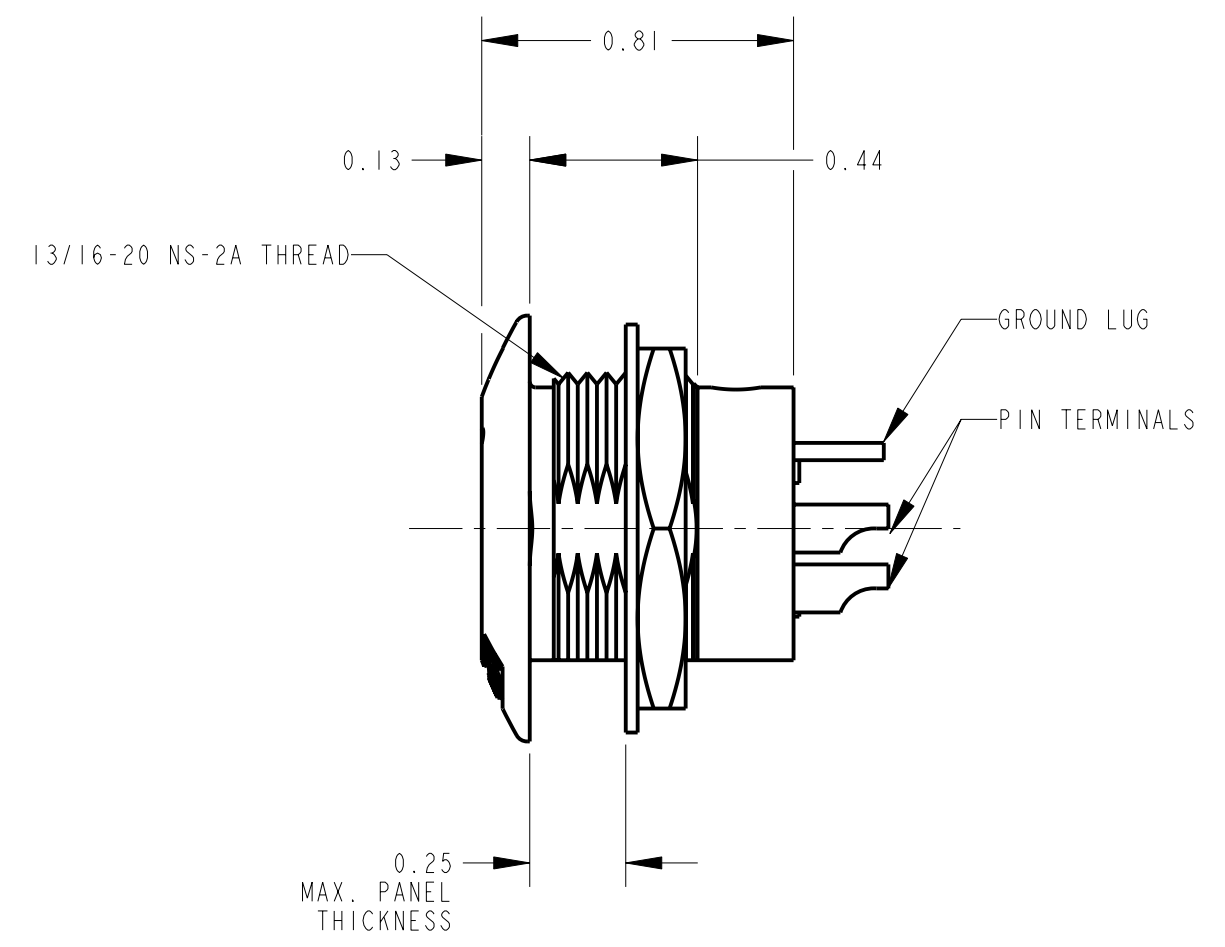
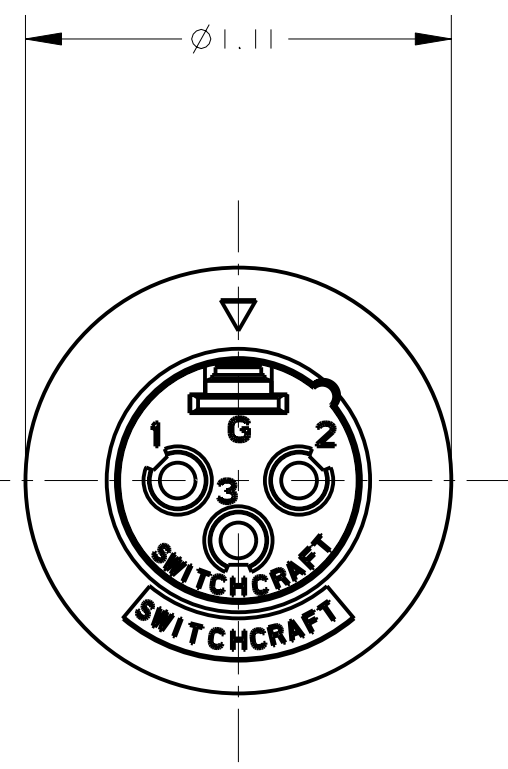
SAME AS ABOVE EXCEPT  
 CONTACT PIN - PHOSPHOR BRONZE, GOLD OVER NICKEL

OGP 29

NO. OF CONTACTS:  
 3 = 3 CONTACTS  
 4 = 4 CONTACTS  
 5 = 5 CONTACTS  
 6 = 6 CONTACTS  
 7 = 7 CONTACTS



RECOMMENDED PANEL CUT-OUT



CUSTOMER DRAWING

REV	ECO NUMBER	DATE	BY	APVD
G	22383	9-30-99	JL	DG
F	ECO #21070	2-3-97	MM	RB
E	ECO #21035	2-3-97	MM	RB
D	20627	1-20-96	SG	SG
J	26363	3-19-09	TJK	TJK
H	23590	12-27-00	RJ	DK

★ STAR SYMBOL DENOTES CRITICAL DIMENSION

UNLESS OTHERWISE SPECIFIED

1. ALL DIMENSIONS IN INCHES  
 - TWO PLACE DECIMALS ±0.01  
 - THREE PLACE DECIMALS ±0.005  
 - ANGLES ±1°  
 - ALL DIA. CONCENTRIC WITHIN 0.005 T.I.R.

2. FEATURES ON THE SAME CENTERLINE MUST BE ALIGNED WITHIN ±0.002

3. REMOVE ALL BURRS

DO NOT SCALE DRAWING

SIZE	WIDTH	MULT	LBS/M	TEMPER
FINISH		MATERIAL		
SPEC No.		SPEC No.		
FIRST USED ON		SCALE		
DATE DRAWN	BY	CHKD	APVD	<b>Switchcraft</b>
8-Aug-94	SG	SG	GHJ	
NAME				SHEET   OF
B SERIES MALE OGP				REV
PART No.				J
B_M SERIES				