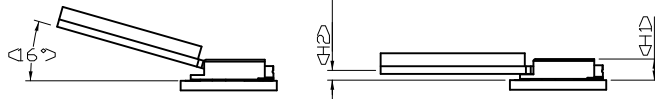
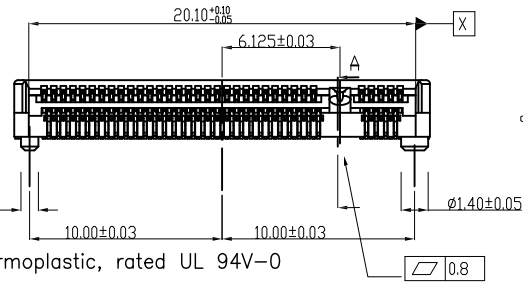
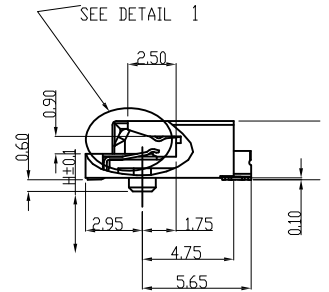
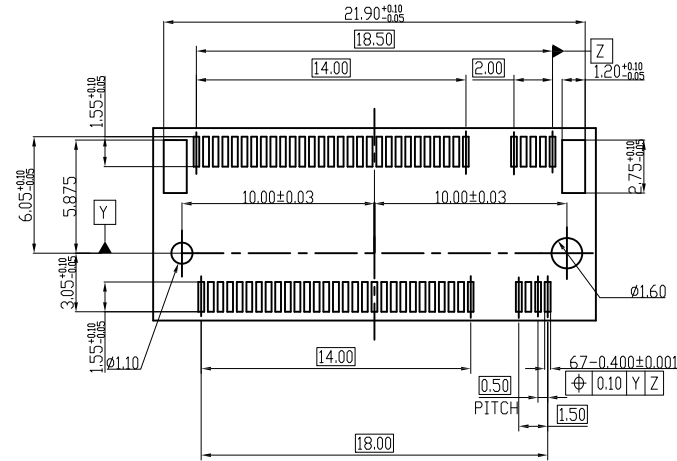
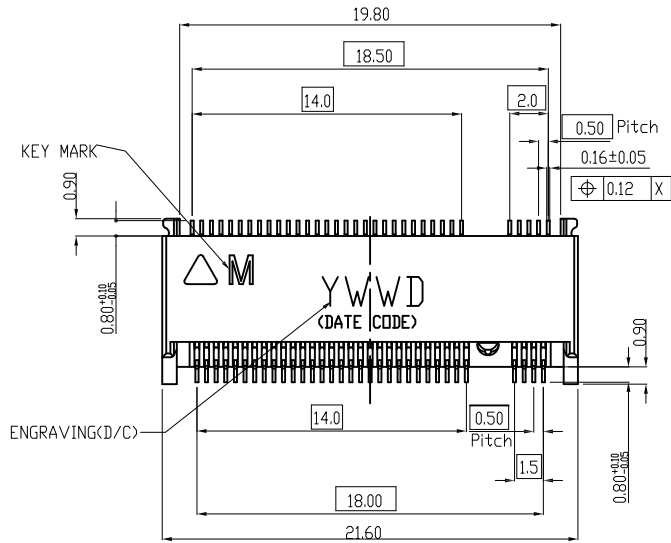


APPROVED: _____
 DATE: _____ TITLE: _____

Rev	AWO #	Description	Date	Appr
-		RELEASED	3/17/21	
A		ADDED PACKING	12/9/21	WX/RC
B		UPDATE PAGE 2	1/4/22	WX/RC



SPECIFICATIONS:
 Material: $\varnothing 0.90 \pm 0.05$
 Insulator: (LCP) Hi-Temp Thermoplastic, rated UL 94V-0
 Insulator Color: Black
 Contacts: Phosphor Bronze
 Hold down: Brass, Nickel Plated
 Solder area: Tin plated
 Plating:
 Gold flash over Nickel underplate overall
 Electrical:
 Voltage rating: 50 VAC
 Current rating: 0.5A / (1Pin)
 Contact resistance: 55 mohms max
 Insulation resistance: 500 Mohms min
 Dielectric withstanding voltage: 300 VAC for 1 minute
 Mechanical:
 Durability: 60 cycles min
 Insertion force: 20N max
 Withdrawal force: 25N
 Temperature Rating:
 Operating temperature: -40°C to +85°C
 Environmental:
 Lead free, RoHS compliant



PACKAGED ON TAPE & REEL

M2-A1-67-R-SMT-2.15-KM-T/R	2.15	2.20	0.60
M2-A1-67-R-SMT-3.10-KM-T/R	3.10	3.15	1.90
M2-A1-67-R-SMT-4.10-KM-T/R	4.10	4.15	2.90
ADAM P/N	DIM. "H"	DIM. "H1"	DIM. "H2"

UNLESS OTHERWISE SPECIFIED ALL DIMENSIONS ARE MILLIMETERS. TOLERANCES: EXCEPT AS NOTED

MM	ANGLE
.X ± .30	X.X ± 3°
.XX ± .20	X.X ± 1°
.XXX + .10	

DRAWN	WX	3/17/21
CHECKED	KL	3/17/21
APPROVED		

THIS DRAWING CONTAINS INFORMATION THAT IS PROPRIETARY AND SHOULD NOT BE USED WITHOUT PRIOR WRITTEN PERMISSION FROM ADAM TECH

ADAM TECH

909 Rahway Avenue,
 Union, NJ 07083
 Phone: 908-687-5000
 Fax: 908-687-5710

TITLE
 M.2 CONNECTOR, 67PINS, SMT TYPE,
 2.15, 3.10, 4.10mm HEIGHT, M KEY

SIZE X	PART NO. M2-A1-67-R-SMT-X.XX-KM-T/R	REV. B
REF: S00275T	SCALE: NTS	SHEET 1 OF 4

6 5 4 3 2 1

APPROVED: _____
 DATE: _____ TITLE: _____

Rev	AWO #	Description	Date	Appr
SEE SHT 1 OF 4 FOR REVISION				

FRONT SIDE

42KNGFF CARD 42mm TYPE)
 60KNGFF CARD 60mm TYPE)
 80KNGFF CARD 80mm TYPE)
 110KNGFF CARD 110mm TYPE)

22
 <11>
 $\phi 3.5 \pm 0.05$
 $\phi 5.5 \pm 0.1$
 MECHANICAL GND PAD
 AREA RESERVED FOR RF RECEPTACLE OR COMPONENTS WHEN NO RF RECEPTACLES USED
 COMPONENT AREA

3.8±0.15
 2
 POS. No.75
 1.375
 1.2 ± 0.05
 6.125
 19.85±0.15
 3.5
 4
 B
 POS. No.1
 $34 \times 0.35 \pm 0.04$
 $\phi 0.15 \text{C(B)A}$
 0.03C
 0.5 PITCH

BACK SIDE

1.25±0.1
 1.25±0.1
 1±0.1
 $\phi 3.5 \pm 0.1$
 MECHANICAL GND PAD
 COMPONENT AREA

4MIN.
 $2-20^\circ \pm 5$
 5.2MIN.
 0.3±0.25
 0.2 MIN.
 0.8 ± 0.08
 0.15C
 POS. No.2
 $33 \times 0.35 \pm 0.04$
 $\phi 0.15 \text{C(B)A}$
 0.05C
 2-R0.5
 1.125
 POS. No.74
 0.5 PITCH
 14
 2.5

KEY ID "M"
 RECOMMENDED MODULE LAYOUT
 GENERAL TOLERANCE ±0.15

UNLESS OTHERWISE SPECIFIED ALL DIMENSIONS ARE MILLIMETERS. TOLERANCES: EXCEPT AS NOTED

MM	ANGLE
.X ± .30	X ± 3°
.XX ± .20	X.X ± 1°
.XXX + .10	

DRAWN	WX	3/17/21
CHECKED	KL	3/17/21
APPROVED		

THIS DRAWING CONTAINS INFORMATION THAT IS PROPRIETARY AND SHOULD NOT BE USED WITHOUT PRIOR WRITTEN PERMISSION FROM ADAM TECH

ADAM TECH

909 Rahway Avenue,
 Union, NJ 07083
 Phone: 908-687-5000
 Fax: 908-687-5710

TITLE
**M.2 CONNECTOR, 67PINS, SMT TYPE,
 2.15, 3.10, 4.10mm HEIGHT, M KEY**

SIZE	PART NO.	REV.
X	M2-A1-67-R-SMT-X.XX-KM-T/R	B

REF: S00275T SCALE: NTS SHEET 2 OF 4

6 5 4 3 2 1

6

5

4

3

2

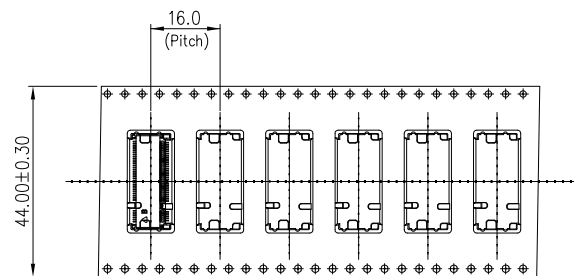
1

APPROVED: _____

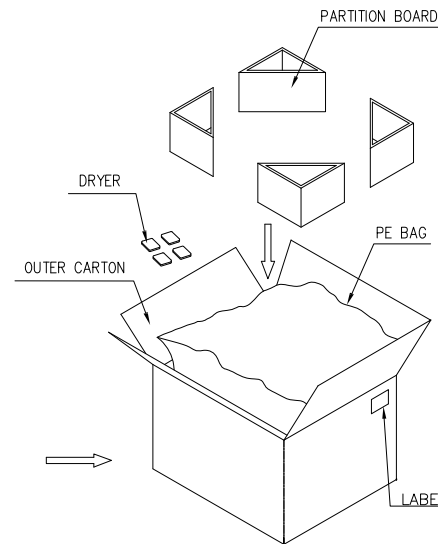
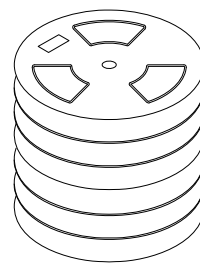
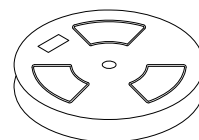
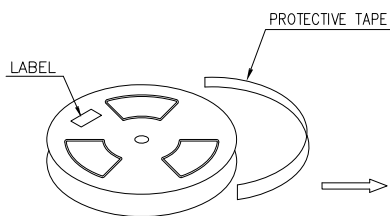
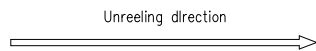
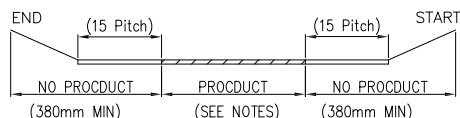
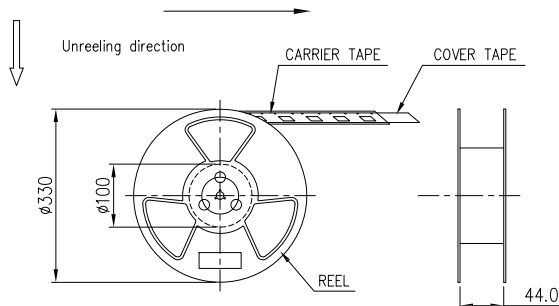
DATE: _____ TITLE: _____

Rev	AWO #	Description	Date	Appr
-----	-------	-------------	------	------

SEE SHT 1 OF 4 FOR REVISION



M2-A1-67-R-SMT-2.15-KM-T/R



NOTES:

1. PACKING STYLE: 1,200 PCS/REEL
7,200 PCS/OUTER CARTON
2. MATERIAL: CARRIER TAPE: PS BLACK
COVER TAPE: PET FILM
REEL: PLASTIC
3. PEEL STRENGTH OF COVER TAPE: 20~80g
(PEEL SPEED 300mm/MINUTE)
4. CARTON SIZE: 350x350x320mm
5. G/W: Kg , N/W: Kg

UNLESS OTHERWISE SPECIFIED ALL DIMENSIONS ARE MILLIMETERS. TOLERANCES: EXCEPT AS NOTED			
MM		ANGLE	
.X	± .30	X	± 3°
.XX	± .20	X.X	± 1°
.XXX	± .10		
DRAWN	WX	3/17/21	
CHECKED	KL	3/17/21	
APPROVED			
THIS DRAWING CONTAINS INFORMATION THAT IS PROPRIETARY AND SHOULD NOT BE USED WITHOUT PRIOR WRITTEN PERMISSION FROM ADAM TECH			

ADAM TECH		909 Rahway Avenue, Union, NJ 07083 Phone: 908-687-5000 Fax: 908-687-5710	
TITLE		M.2 CONNECTOR, 67PINS, SMT TYPE, 2.15, 3.10, 4.10mm HEIGHT, M KEY	
SIZE	PART NO.	REV.	
X	M2-A1-67-R-SMT-X.XX-KM-T/R	B	
REF: S00275T	SCALE: NTS	SHEET 3 OF 4	

6

5

4

3

2

1

6 5 4 3 2 1

APPROVED: _____
 DATE: _____ TITLE: _____

Rev	AWO #	Description	Date	Appr
SEE SHT 1 OF 4 FOR REVISION				

M2-A1-67-R-SMT-3.10-KM-T/R
 M2-A1-67-R-SMT-4.10-KM-T/R

NOTES:

- PACKING STYLE: A) M2-043X0 (3.1H)
 900 PCS/REEL
 5,400 PCS/OUTER CARTON
 B) M2-044X0 (4.1H)
 700 PCS/REEL
 4,200 PCS/OUTER CARTON
- MATERIAL: CARRIER TAPE: PS BLACK
 COVER TAPE: PET FILM
 REEL: PLASTIC
- PEEL STRENGTH OF COVER TAPE: 20~80g
 (PEEL SPEED 300mm/MINUTE)
- CARTON SIZE: 350x350x320mm
- G/W: Kg , N/W: Kg

UNLESS OTHERWISE SPECIFIED ALL DIMENSIONS ARE MILLIMETERS. TOLERANCES: EXCEPT AS NOTED

MM	ANGLE
.X ± .30	X. ± 3°
.XX ± .20	X.X ± 1°
.XXX + .10	

DRAWN	WX	3/17/21
CHECKED	KL	3/17/21
APPROVED		

THIS DRAWING CONTAINS INFORMATION THAT IS PROPRIETARY AND SHOULD NOT BE USED WITHOUT PRIOR WRITTEN PERMISSION FROM ADAM TECH

ADAM TECH 909 Rahway Avenue,
 Union, NJ 07083
 Phone: 908-687-5000
 Fax: 908-687-5710

TITLE	M.2 CONNECTOR, 67PINS, SMT TYPE, 2.15, 3.10, 4.10mm HEIGHT, M KEY		
SIZE	PART NO.	REV.	
X	M2-A1-67-R-SMT-X.XX-KM-T/R	B	
REF:	S00275T	SCALE:	NTS SHEET 4 OF 4

6 5 4 3 2 1