

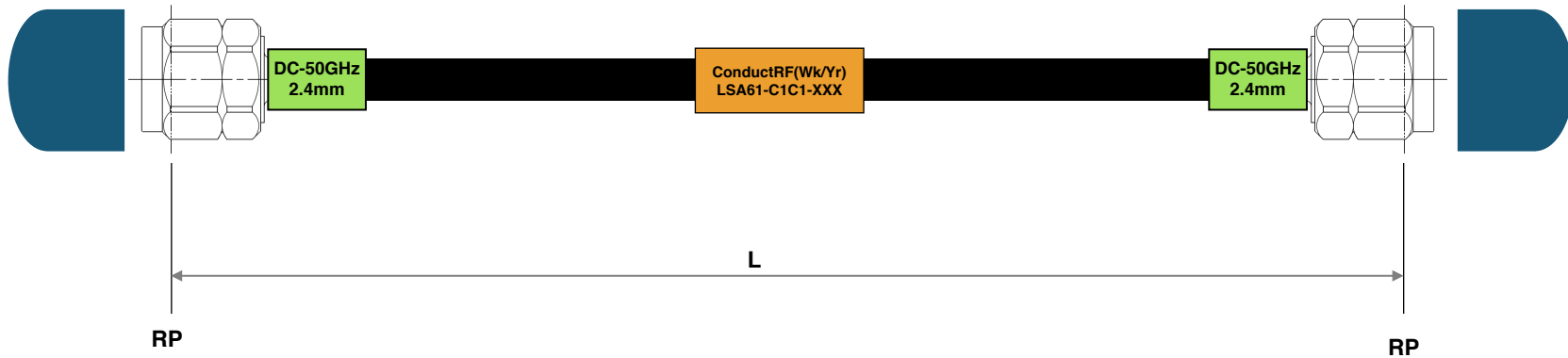
Notes:

1. Only RoHS Compliant Processes and Materials used for this assembly.
2. Marking to Contain "ConductRF", Part No. & Date Code BLACK Text on ORANGE Tube.
3. 100% Sweep Tested to 50GHz and Validated for VSWR and IL
4. Angle Achieved using SCL Shrink Tube.
5. Color Markers with Freq. range and Connector Series to be added to Ends as Shown

This document is the property of Conduct RF. The information contained herein is not to be disclosed or copied in whole or in part without the written consent of Conduct RF.

**ConductRF(Wk/Yr)
LSA61-C1C1-XXX**

Marker Example




		Max. Insertion Loss(dB)		
ConductRF # (XXX)	L(in.)	27GHz	40GHz	50GHz
S06	06"	1.05	1.31	1.49
S09	09"	1.38	1.73	1.97
S12	12"	1.71	2.15	2.45
S18	18"	2.37	2.99	3.42
VSWR Max.		1.25:1	1.45:1	

Part No. Configurator - XXX

FXX = Length in Feet (eg F03=3ft)
 SXX = Length in Inches (eg S18=18")
 XMX = Length in Meters (eg 2M5=2.5m)
 CXX = Length in CM (eg C50=50cm)

ITEM	DESCRIPTION	MATERIALS	FINISH
6	Caps	PVC	Blue
5	Strain Relief	CPA300 or Equiv.	Green
4	Label	Shrink Tube	Orange
3	Hi-Freq. Flex Cable	A61SW	Black FEP
2	2.4mm Str Male	PCM12A-A28S01	Passivated
1	2.4mm Str Male	PCM12A-A28S01	Passivated

REVISION HISTORY					Customer DWG	Title: 2.4mm M to 2.4mm M Flex Assembly - 0.086"				
REV.	DESCRIPTION	ECN	DRAWN	DATE	Remarks:	Originated:	Conduct RF	Range:	Sheet	
3	Updated VSWR Max		DG	05/28/20	035/035/5	01/16/15	sales@ConductRF.com Tel: +1 978 374 6840	LSA	1 of 1	
2	Updated Marker Color		DG	09/29/17						Dwg Ref: LSA61-C1C1
1	Pre-Release		DG	01/16/15	Length Tolerances: ≤24" = ±0.25" >24" = ± 1%	Checked: JW	Approved: PL	Rev: 3	Part No: LSA61-C1C1-XXX	