

## 451

### WEATHERPROOF

- Floats for easy recovery from water
- Survives rugged weather on the job



### NON-CONDUCTIVE

- Protects operator from immediate electric shock



### DURABLE

- Resists breaking from dropping or abuse
- Resists staining and corrosion



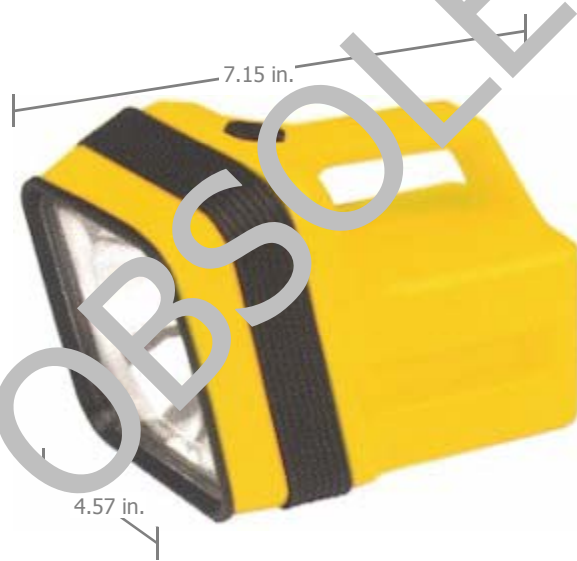
### BRIGHT

- Large reflector assures a bright beam



The 451 is a good choice for marine applications. It is shockproof and floats for easy recovery from water. The large reflector provides light for a wide area.

An impact-resistant housing withstands damage from dropping and abuse and the chemical-resistant polypropylene body protects it from staining and corrosion. This light is a great choice for demanding job site conditions.

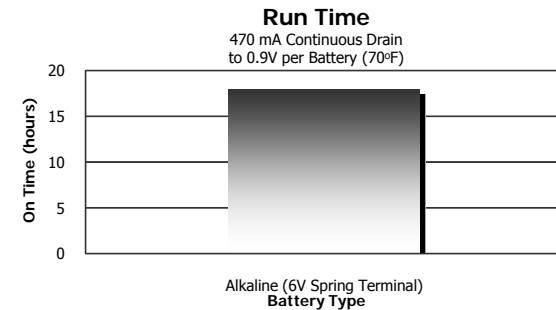


**Before Using Your Flashlight:**  
Please read all instructions and cautionary markings on the package and light

### Product Detail:

<b>Designation:</b>	Industrial 6V Industrial Lantern
<b>Model:</b>	451
<b>Color:</b>	Yellow
<b>Power Source:</b>	One 6V Alkaline Spring Terminal Battery
<b>ANSI/NEDA:</b>	908AC Series
<b>Lamp:</b>	KPR-113 Krypton Beam
<b>Lamp Rating:</b>	4.8V, 0.75A
<b>Lamp Life:</b>	20 Hours
<b>Lamp Output:</b>	51 Lumens
<b>Typical Weight:</b>	475 grams (16.8 oz.) (without batteries)
<b>Dimensions (in):</b>	7.15 x 4.57

### Performance:



### Important Notice

This datasheet contains information specific to products manufactured at the time of its publication

**Contents herein do not constitute a warranty**  
©Energizer / All Rights Reserved