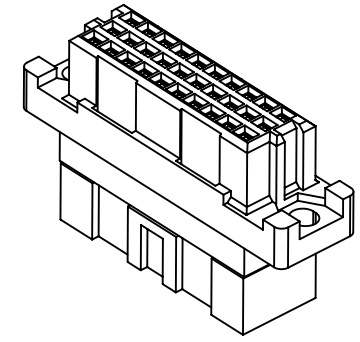
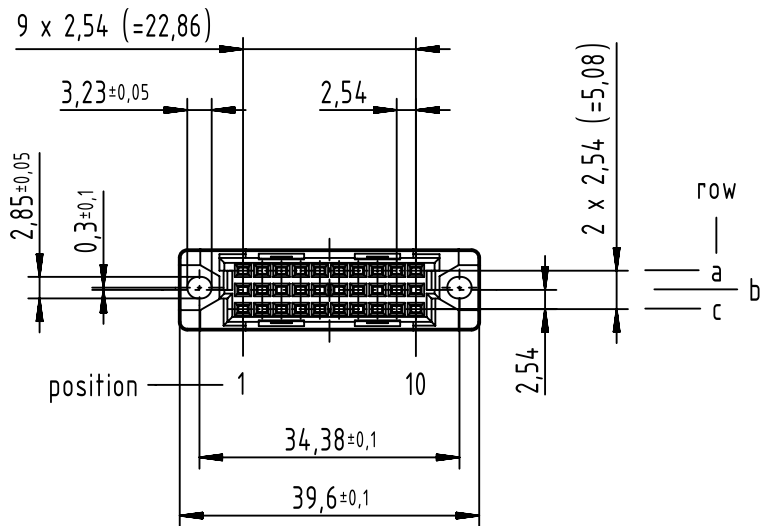


position identification rotated for connection with male type 3R



further information see: DS 09032100801

	All rights reserved Department EC PD - DE	All Dimensions in mm Original Size DIN A4			Scale 1:1	Free size tol. complementary IEC 60603-2	Ref. Sub. TB 09250303217 500000070096 07.01.2014	
		Created by HASSE	Inspected by JASCHKE	Standardisation HOFFMANN	Date 2015-05-04	State Final Release	Title DIN Signal type 3C female crimp inverse	
HARTING Electronics GmbH D-32339 Espelkamp		Type TB	Number 09250303217			Rev. C	Page 1/1	