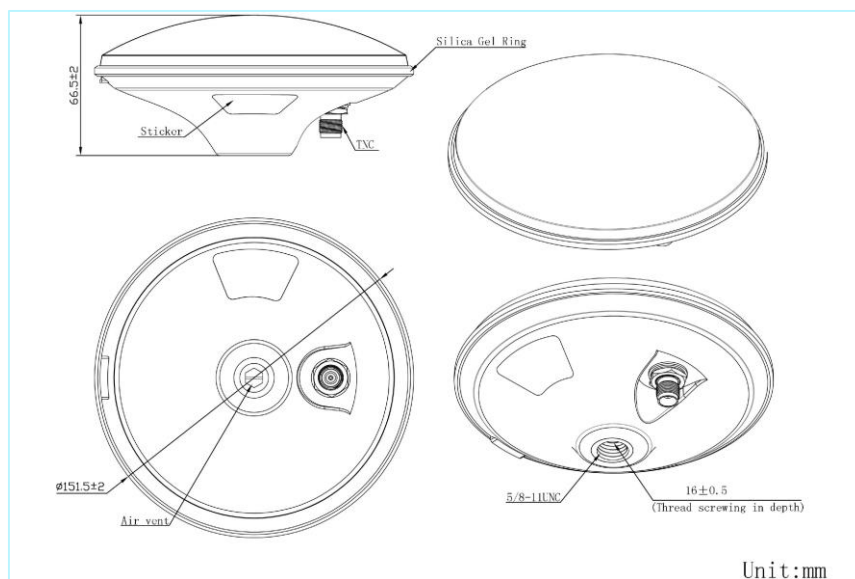


GNSS Surveying Antenna (GPS/GLONASS/Galileo/COMPASS)

AN_GPS_P228F



Mechanical dimension





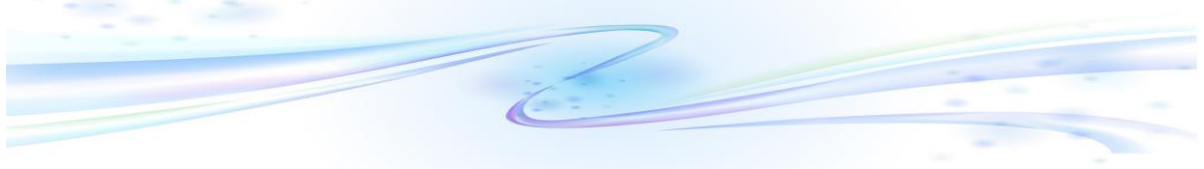
MASWELL
— 迈斯维 —

GNSS Surveying Antenna

Specifications

Item	Specifications	
Antenna	Frequency	GPS L1/L2/L5/L-Band GLONASS G1/G2/G3 COMPASS B1/B2/B3 Galileo E1/L1/E2/E5a/E5b/E6
	Polarization	RHCP
	Axial Ratio	≤3dB
	V.S.W.R	≤1.5
	Peak Gain	≥5.5dBi
	Impedance	50Ω
	Phase Center Error	±2mm
	Horizontal coverage angle	360°
LNA	Gain	40 ± 2dB
	Noise Figure	≤1.5dB
	Passband fluctuation	±1dB
	Supply Voltage	3~12V DC
	Current Consumption	≤50mA
	V.S.W.R	≤2.0
Mechanical	Connector	TNC-K
	Dimension	D151.5*66.5mm
	Radome Material	ABS
	Mounting Method	Screw
Environmental	Operating Temperature	-40℃ ~ +85℃
	Relative Humidity	Up to 95%
	Ingress Protection	IP67(exclude Air vent in screw hole)
	Environmentally Friendly	ROHS Compliant

GNSS Surveying Antenna (GPS/GLONASS/Galileo/COMPASS)



Antenna Reference Point & Phase Center

