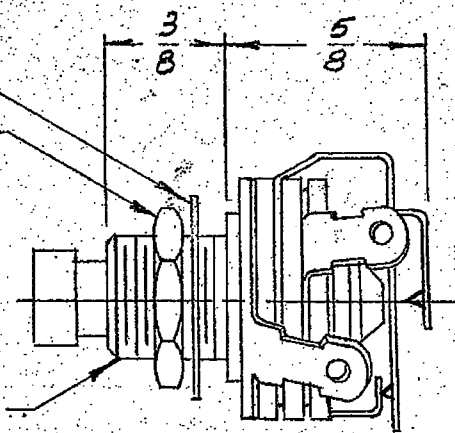


AR

203

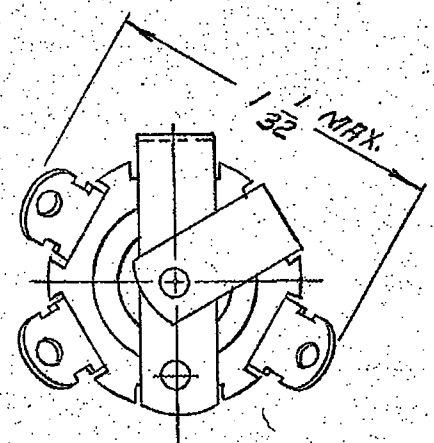
5/8 O.D. STL. WASHER  
NI. PL.  
1/2 NUT-BRASS NI. PL.



3/8-32 UNEF-2 TH'D.

**MATERIALS:**

1. BUSHING-BRASS-NI. PL.
2. SPRINGS-NI. SILVER-SPG. TEMP.
3. SPACERS-PAPER BASE PHENOLIC
4. PUSHBUTTON-BLACK



SCHEMATIC

CUSTOMER DRAWING

REV	DATE	BY	REVISION
1	5-8-64	RT	REDRAWN
2	5-17-64	W	ECO 14111
A	5-19-64	LG	ECO 20627

THIS DRAWING DESCRIBES A DESIGN CONSIDERED PROPRIETARY IN NATURE, DEVELOPED AND MANUFACTURED BY SWITCHCRAFT, INC. AND IS RELEASED ON A CONFIDENTIAL BASIS FOR IDENTIFICATION PURPOSE ONLY.

UNLESS OTHERWISE SPECIFIED:

- 1 - DECIMAL DIMENSIONS ± .005
- 2 - FRACTIONAL DIMENSIONS ± 1/64
- 3 - ANGLES ± 1/2°
- 4 - ALL DIA'S CONCENTRIC WITHIN .005 T.I.R.
- 5 - ALL DIMENSIONS IN INCHES
- 6 - FOR THREADS USE UNIFIED PLUG AND RING GAGES ONLY.
- 7 - REMOVE ALL BURS.
- 8 - PART TO BE FABRICATED AS SPECIFIED. MAKE NO DIMENSIONAL ALLOWANCES FOR APPLIED FINISHES, I.E., PLATING, PAINTING, ETC.
- 9 - HOLES OR SAME CENTERLINE MUST BE ALIGNED WITHIN ± .002

DO NOT SCALE DRAWING

DRAWN BY <i>J.R.B.</i>	DATE 5-16-64	FINISH
CHECKED BY <i>C.H.</i>	DATE 5-17-64	PER FINISH SPEC. NO.
APPROVED BY <i>LG</i>	DATE 5-19-64	MATERIAL
SCALE 2:1	FIRST USED ON	PER MAT. SPEC. NO.
NAME NON-LOCKING LITTEL SWITCH		PART NO. 203
		ISSUE A

101, 105, 112, 146.