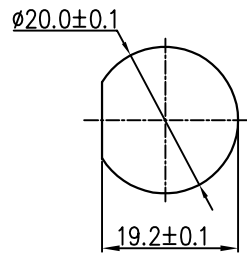
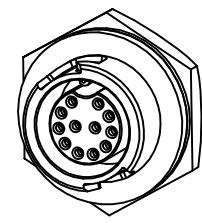
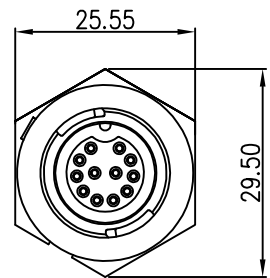
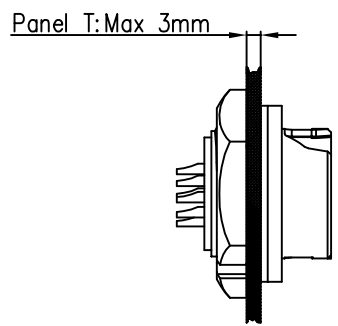
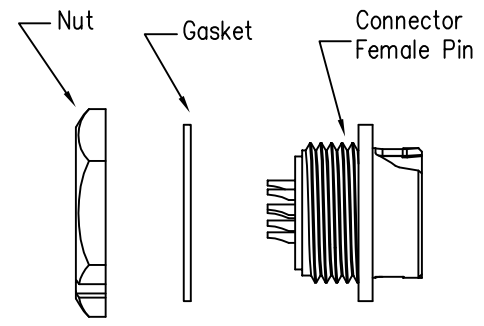
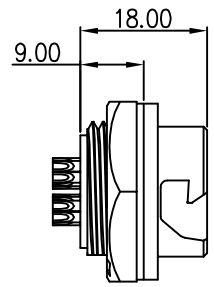


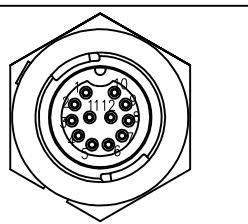
REV.	ECN NO.	DESCRIPTION	SIGN	DATE
C1	N/A	INITIAL DRAWING	Liu	2020/05/16



Recommended Panel Cut-Out



23XXX635-03
Pin Number



12 Pin

P/N: 23012635-03

Pin Assignments
Front View

Specification:

- 1.Operation Temperature: $-45^{\circ}\text{C} \sim 105^{\circ}\text{C}$.
- 2.Insulation Resistance: $100\text{M}\Omega$ at DC500V.
- 3.Contact Resistance: $<10\text{m}\Omega$.
- 4.Withstand Voltage: 1000V AC
- 5.Operating Current: 2A
- 6.Operating Voltage: DC 30V
- 7.Waterproof Rate: IP67 (Mated)
- 8.Housing: Nylon, Black
- 9.Female Pin: Copper Alloy, Gold Plated
- 10.Gasket: Silicon Gray
- 11.Panel Nut: Nylon, Blue
- 12.Torque Rate: $0.8 \sim 1.0\text{N} \cdot \text{m}$
- 13.RoHS Compliant.
- 14.Mating Cap P/N: 806-00103-00

UNIT:mm	
TOLERANCE	
.X	± 0.25
.XX	± 0.15
.XXX	± 0.05
ANGLES	$\pm 1^{\circ}$

DESCRIPTION	Middle Series Push Lock Rear Mount With Female Pin		
SCALE:	1:1	SHEET	1 OF 1
REV.	C1	SIZE	A4
			* : Inspection Item



PART NO	23012635-03	DRAWN BY	Liu	DATE	2020/05/16
DWG NO		CHECKED BY	Mo	DATE	2020/05/16
CUSTOMER		APPROVED BY	Adley	DATE	2020/05/16

THIS INFORMATION IS CONFIDENTIAL AND IS DISCLOSED TO YOU ON CONDITION THAT NO FURTHER DISCLOSURE IS MADE BY YOU TO OTHER THAN CHOGORI PERSONNEL WITHOUT AUTHORIZATION FROM CHOGORI CORP.