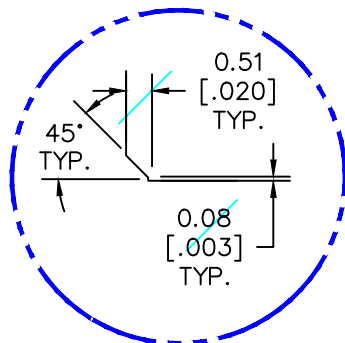


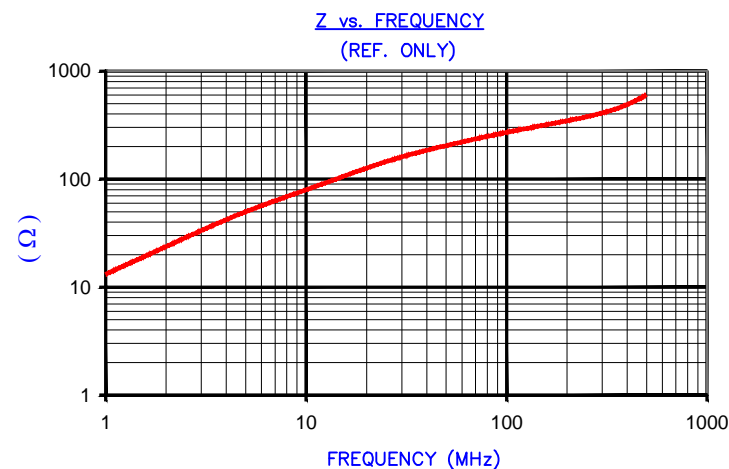
SECTION A-A

SEE DETAIL "A"



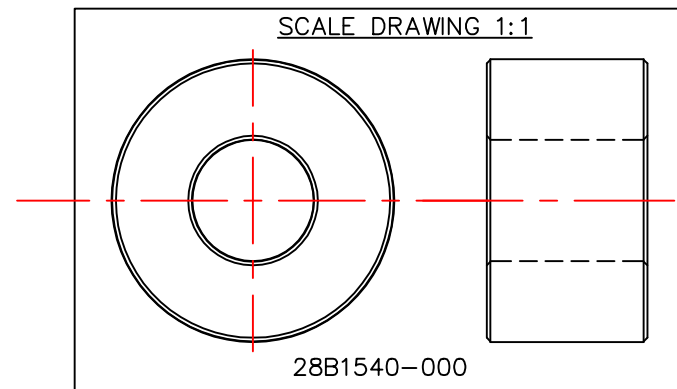
CHAMFER
DETAIL "A"
SCALE: 6:1

| IMPEDANCE (Z) | | | |
|-----------------|--------|---------|---------|
| Frequency | 25 MHz | 100 MHz | 300 MHz |
| Nominal (REF) | 130 Ω | 254 Ω | 405 Ω |
| Minimum | - Ω | 203 Ω | - Ω |



AGILENT E4991A Impedance/Material Analyzer
HP 16092A Test Fixture

**UNCONTROLLED
DOCUMENT**



NOTES: UNLESS OTHERWISE SPECIFIED

1. COSMETIC SPECIFICATION REFER TO WI-QA-038.

FERRITE CORE DIMENSIONS (SPEC): mm [in.]

A 39.12 [1.540] ± 0.78 [.030]

B 16.76 [.660] ± 0.33 [.013]

C 22.22 [.875] ± 0.56 [.022]

WEIGHT/1000 107.63 kgs [237.28 Lbs]

| DIMENSIONS ARE IN mm [INCHES]. | | | | This print is the property of Laird Tech. and is loaned in confidence subject to return upon request and with the understanding that no copies shall be made without the written consent of Laird Tech. All rights to design or invention are reserved. | | |
|--------------------------------|---|----------|-----|---|-------------------|-----------------------------|
| E | UPDATE COMPANY LOGO | 12/28/12 | QIU | PROJECT/PART NUMBER: 28B1540-000 | REV E | DRAWN BY: LNK |
| D | UPDATE COMPANY LOGO | 05/09/07 | TMB | | | |
| C | CHANGE PRINT FORMAT CHANGE Z SPECS ADD CURVE DETAIL A & UPDATE WEIGHT UPDATE PART PROFILE REMOVE ISO VIEW ADJUST A, B & C DIMENSION TOLERANCES | 07/22/03 | TMB | DATE: 12/29/92 | SCALE: 1.5 : 1 | MATERIAL: FERRITE |
| B | REACTIVATE PRINT UPDATE PRINT FORMAT, REVISE Z SPECS & WEIGHT, ADD ISOMETRIC VIEW REMOVED NOTES | 11/22/00 | TMB | | | |
| A | CAD PRINT | 12/29/92 | LNK | CAD # 28B1540-000-E | TOOL # B1540 | |
| REV | DESCRIPTION | DATE | INT | | | |

