



# SMI ULTRA-LOW PRESSURE DIGITAL SENSOR

## SM9541 Series

### Gauge & Differential Pressure Sensors

The SM9541 Series is a digital, low pressure MEMS sensor family offering state-of-the-art pressure transducer technology and CMOS mixed signal processing technology to produce a digital, fully conditioned, multi-order pressure and temperature compensated sensor in JEDEC standard SOIC-16 package with a dual vertical porting option. It is available in both compound gauge and differential pressure configurations. With the dual porting, a vacuum-range measurement is possible to minimize altitude errors due to changes in ambient pressure.

Combining the pressure sensor with a signal-conditioning ASIC in a single package simplifies the use of advanced silicon micro-machined pressure sensors. The pressure sensor can be mounted directly on a standard printed circuit board and a high level, calibrated pressure signal can be acquired from the digital interface. This eliminates the need for additional circuitry, such as a compensation network or microcontroller containing a custom correction algorithm.

The SM9541 is shipped in sticks or tape & reel.

#### Features

- Fully digital, pressure calibrated and temperature compensated output
- I<sup>2</sup>C Digital Interface
- Compensated temperature range: -5 to 65°C
- Compound gauge and differential pressure measurements
- Insensitive to mounting orientation
- Robust JEDEC SOIC-16 package for automated assembly
- Manufactured according to ISO9001 and ISO/TS 16949 standards
- RoHS & REACH compliant
- Pressure ranges from 10 cm\*H<sub>2</sub>O to 140 cm\*H<sub>2</sub>O (0.14 to 2 PSI)

#### Applications

Medical	Industrial	Consumer
Sleep Apnea	Airflow Measurement	Sports Equipment
CPAP	Pneumatic Gauges	Appliances
Ventilators	Pressure Switches	
Oxygenators	Safety Cabinets	
Negative Pressure Wound Therapy	Life Sciences	
Air Flow Monitors	Gas Flow Instrumentation	
Gas Flow Instrumentation	Liquid Level Measurement	

[CLICK HERE >](#)  
**CONNECT WITH SPECIALIST**

# ULTRA-LOW PRESSURE DIGITAL SENSOR

SM9541 Series

## Performance Specifications

### Absolute Maximum Ratings

All parameters are specified at V<sub>DD</sub> = 3.3 V supply voltage at 25°C, unless otherwise noted.

Characteristic	Symbol	Min	Typical	Max	Units
Supply Voltage	V <sub>DD</sub>	0.0		6.0	V
Supply Current	I <sub>DD</sub>	0.0	2.0	4.0	mA
Update Period				2	ms
Operating Temperature <sup>(a)</sup>	T <sub>OP</sub>	-5	32	+65	°C
Storage Temperature <sup>(a)</sup>	T <sub>STG</sub>	-40	-	+125	°C
Media Compatibility <sup>(a, b)</sup>					

**Notes:**

- a) Tested on a sample basis.
- b) Clean, dry gas compatible with wetted materials. Wetted materials include Pyrex glass, silicon, alumina ceramic, epoxy, RTV, gold, aluminum, and nickel.

Product Number	Operating Pressure	Proof Pressure (P <sub>PROOF</sub> ) <sup>(a)</sup>	Burst Pressure (P <sub>BURST</sub> ) <sup>(a)</sup>
SM9541-010C-S-C-3-S	-0.5 to 10 cmH <sub>2</sub> O	±1.5 PSI	±3.0 PSI
SM9541-010C-D-C-3-S	-10 to 10 cmH <sub>2</sub> O		
SM9541-020C-S-C-3-S	-1 to 20 cmH <sub>2</sub> O	±4.8 PSI	±6.0 PSI
SM9541-020C-D-C-3-S	-20 to 20 cmH <sub>2</sub> O		
SM9541-040C-S-C-3-S	-5 to 40 cmH <sub>2</sub> O		
SM9541-040C-D-C-3-S	-40 to 40 cmH <sub>2</sub> O		
SM9541-100C-S-C-3-S	-5 to 100 cmH <sub>2</sub> O	±12 PSI	±15 PSI
SM9541-100C-D-C-3-S	-100 to 100 cmH <sub>2</sub> O		
SM9541-140C-S-C-3-S	-20 to 140 cmH <sub>2</sub> O		

### Operating Characteristics – Specifications

All parameters are specified at V<sub>DD</sub> = 3.2 V DC supply voltage at 25°C, unless otherwise noted.

Compound Gauge					
Characteristic	Symbol	Min	Typ	Max	Units
Supply Voltage	V <sub>DD</sub>	3.0	3.3	3.6	V
Pressure Output @ P <sub>MIN</sub>	Out <sub>MIN</sub>		1,638		Counts
Pressure Output @ P <sub>MAX</sub>	Out <sub>MAX</sub>		14,745		Counts
Full Scale (-0.5 to 10 cmH <sub>2</sub> O) Span	FSP		13,107		Counts
Full Scale (-1 to 20 cmH <sub>2</sub> O) Span					
Full Scale (-5 to 40 cmH <sub>2</sub> O) Span					
Full Scale (-5 to 100 cmH <sub>2</sub> O) Span					
Full Scale (-20 to +140 cmH <sub>2</sub> O) Span					
Resolution			14		Bits
Accuracy <sup>(c,d)</sup>	ACC	-1		+1	%FS
Compensated Temperature Range	T <sub>COMP</sub>	-5		+65	°C

**Notes:**

- c) The accuracy specification applies over all operating conditions. This specification includes the combination of linearity, repeatability, and hysteresis errors over pressure, temperature, and voltage.
- d) Maximum 10-year zero pressure offset shift < ±2%FS based on 1000 hours of HTOL testing.

# ULTRA-LOW PRESSURE DIGITAL SENSOR

SM9541 Series

## Operating Characteristics – Specifications

All parameters are specified at  $V_{\text{SUPPLY}} = 3.2 \text{ V}$  DC supply voltage at  $25^\circ\text{C}$ , unless otherwise noted.

Differential					
Characteristic	Symbol	Min	Typ	Max	Units
Supply Voltage	$V_{\text{DD}}$	3.0	3.3	3.6	V
Pressure Output @ $P_{\text{MIN}}$	$\text{Out}_{\text{MIN}}$		1,638		Counts
Pressure Output @ $P_{\text{MAX}}$	$\text{Out}_{\text{MAX}}$		14,745		Counts
Full Scale (-0.5 to 10 cmH <sub>2</sub> O) Span	FSP		13,107		Counts
Full Scale (-1 to 20 cmH <sub>2</sub> O) Span					
Full Scale (-5 to 40 cmH <sub>2</sub> O) Span					
Full Scale (-5 to 100 cmH <sub>2</sub> O) Span					
Full Scale (-20 to +140 cmH <sub>2</sub> O) Span					
Resolution			14		Bits
Accuracy <sup>(d,e)</sup>	ACC	-1		+1	%FS
Compensated Temperature Range	$T_{\text{COMP}}$	-5		+65	$^\circ\text{C}$

### Notes:

- d) Maximum 10-year zero pressure offset shift <  $\pm 2\%$ FS based on 1000 hours of HTOL testing.
- e) The accuracy specification applies over all operating conditions. This specification includes the combination of linearity, repeatability, and hysteresis errors over pressure, temperature, and voltage.

# ULTRA-LOW PRESSURE DIGITAL SENSOR

SM9541 Series

---

## 1. CL Clock frequency:

100kHz to 400kHz

## 2. Slave Address

- The factory setting for the I<sup>2</sup>C slave address is 0x28. The part will only respond to the set address.

## 3. Read Operations

- For read operations, the I<sup>2</sup>C master command starts with the 7-bit slave address with the bit = 1 (READ). The SM9541 as the slave sends an acknowledge (ACK) indicating success.
- The SM9541 has four I<sup>2</sup>C read commands: Read\_DF2, Read\_DF3, and READ\_DF4. The following figures show the structure of the measurement packet for three of the four I<sup>2</sup>C read commands, which are further explained below.

### 3.1 I<sup>2</sup>C Read\_DF (Data Fetch):

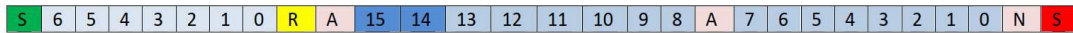
- For the data fetch commands, the number of data bytes returned by the SM9541 is determined by when the master sends the NACK and stop condition.
- For the Read\_DF3 data fetch command (Data Fetch 3Bytes), the SM9541 returns three bytes in response to the master sending the slave address and the READ bit (1): two bytes of bridge data with the two status bits as the MSBs and then 1 byte of temperature data (8-bit accuracy). After receiving the required number of data bytes, the master sends the NACK and stop condition to terminate the read operation.
- For the Read\_DF4 command, the master delays sending the NACK and continues reading an additional final byte to acquire the full corrected 11-bit temperature measurement. In this case, the last 5 bits of the final byte of the packet are undetermined and should be masked off in the application.
- The READ\_DF2 command is used if corrected temperature is not required. The master terminates the READ operation after the two bytes of bridge data.

# ULTRA-LOW PRESSURE DIGITAL SENSOR

SM9541 Series

- I2C Read\_DF2 – Data Fetch 2 Bytes:

- Slave returns only pressure data to the master in 2 bytes.
- State Condition – Device Slave Address [6.0] – Read/Write Bite (Read = 1) – Wait for Slave ACK – 2 status bits – 6 pressure bits [13.8] – Master ACK – 8 pressure bits [7.0] – Master NACK – Stop Condition



- I2C Read\_DF3 – Data Fetch 3 Bytes:

- Slave returns 2 pressure data bytes and temperature high bytes [10:3] to the master.
- Start condition – Device Slave Address [6.0] – Read/Write Bite (Read = 1) – Wait for Slave ACK – 2 status bits – 6 pressure bits [13.8] – Master ACK – 8 pressure bits [7.0] – Master ACK – 8 temperature bits [10:3] – Master NACK – Stop Condition



- I2C Read\_DF3 – Data Fetch 3 Bytes:

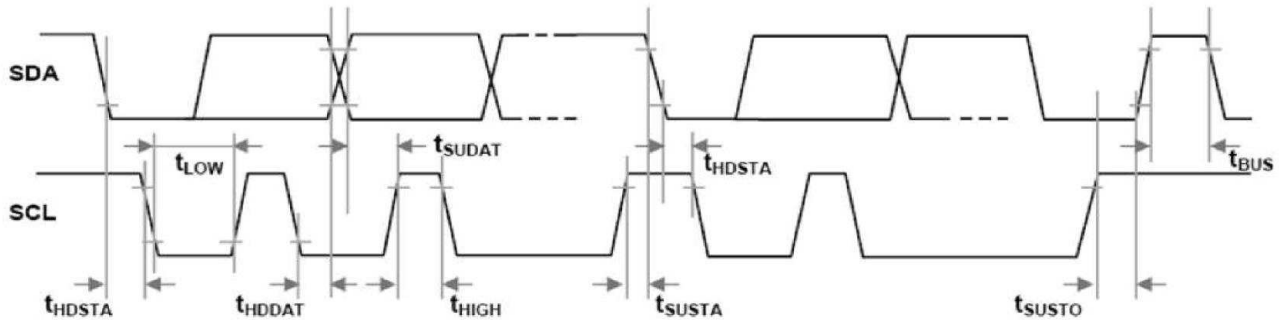
- Slave returns 2 pressure data bytes and 2 temperature bytes ([10:3] and [2:0]xxxxx) to the master.
- Start condition – Device Slave Address [6.0] – Read/Write Bite (Read = 1) – Wait for Slave ACK – 2 status bits – 6 pressure bits [13.8] – Master ACK – 8 pressure bits [7.0] – Master ACK – 8 temperature bits [10:3] – Master ACK – 3 temperature bits [2.0] – Master NACK – Stop Condition



# ULTRA-LOW PRESSURE DIGITAL SENSOR

SM9541 Series

## 4. I<sup>2</sup>C Timing Diagram



Description	Symbol	Min	Typ	Max	Units
SCL Clock Frequency	$F_{SCL}$	100		400	kHz
Start Condition Hold Time Relative to SCL Edge	$t_{HDSTA}$	0.1			$\mu s$
Minimum SCL Clock Low Width <sup>1</sup>	$t_{LOW}$	0.6			$\mu s$
Minimum SCL Clock High Width <sup>1</sup>	$t_{HIGH}$	0.6			$\mu s$
Start condition Hold Time Relative to SCL Edge	$t_{SUSTA}$	0.1			$\mu s$
Data Hold Time on SDA Relative to SCL Edge	$t_{HDDAT}$	0.0			$\mu s$
Data Setup Time on SDA Relative to SCL Edge	$t_{SUDAT}$	0.1			$\mu s$
Stop Condition Setup Time on SCL	$t_{SUSTO}$	0.1			$\mu s$
Bus Free Time Between Stop Condition and Start Condition	$t_{BUS}$	2.0			$\mu s$

# ULTRA-LOW PRESSURE DIGITAL SENSOR

SM9541 Series

## 5. Differences SM9541 I<sup>2</sup>C Protocol vs. Original I<sup>2</sup>C protocol

Note: There are three differences in the SM9541 protocol compared with the original I2C protocol

- Sending a start-stop condition without any transitions on the CLK line (no clock pulses in between) created a communication error for the next communication, even if the next start condition is correct and the clock pulse is applied. An additional start condition must be sent, which results in restoration of proper communications.
- The restart condition – a falling SDA edge during data transmission when the CLK clock line is still high – creates the same situation. The Start condition must be sent for correct communication.
- A falling SDA edge is not allowed between the start condition and the first rising SCL edge. If using an I<sup>2</sup>C address with the first bit 0, SDA must be held low from the start condition through the first bit.

## 6. Diagnostic Features – Status Bits

- The SM9541 offers diagnostic features to ensure robust system operation. The diagnostic states are indicated by a transmission of the status of the 2 MSBs of the pressure high byte data.

Status Bits (2 MSBs of Output Packet)	Symbol
00	Normal operation, good data packet (not applicable)
01	Device in Command Mode (not applicable for normal operation)
10 <sup>(1)</sup>	Stale data: Data that has already been fetched since the last measurement cycle
11	Diagnostic condition exists

Note<sup>(1)</sup>: If a data fetch is performed before or during the first measurement after power-on reset, then “state” will be returned, but this data is actually invalid because the first has not been completed.

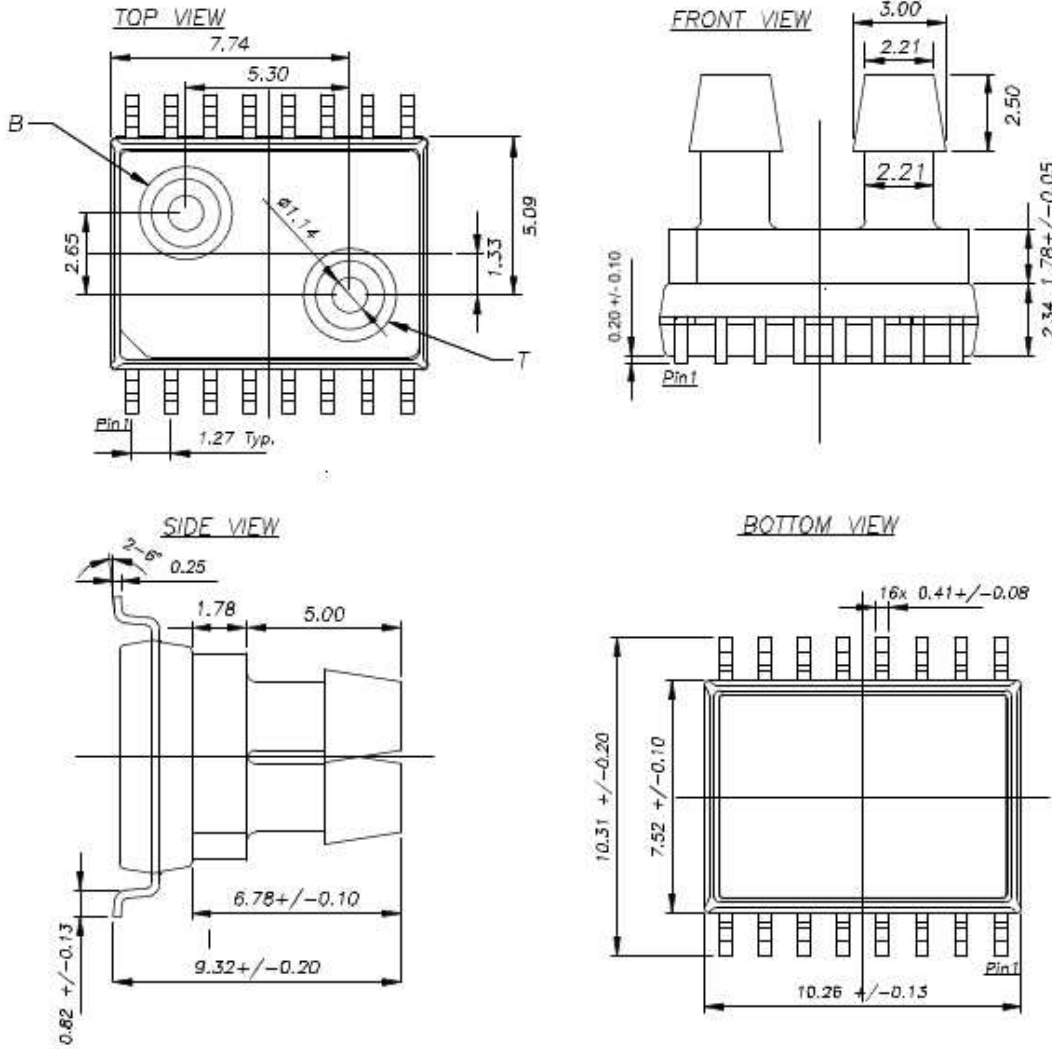
- When the two MSBs are 11, one of the following faults listed below indicated:
  - Invalid EEPROM signature
  - Loss of Bridge positive or negative
  - Bridge input short
  - Loss of bridge source
- All diagnostics are detected in the next measurement cycle and reported in the subsequent data fetch. Once a diagnostic is reported, the diagnostic status bits will not change unless the cause of the diagnostic is fixed and a power-on-reset is performed.

# ULTRA-LOW PRESSURE DIGITAL SENSOR

SM9541 Series

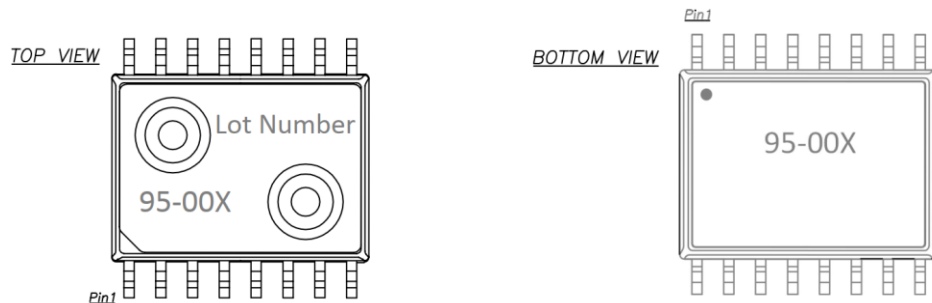
## 7. Package Reference

### SOIC-16 Package Dimensions



- All dimensions in units of [mm]
- Moisture Sensitivity Level (MSL): Level 3
- Wetted materials: Pyrex glass, silicon, alumina ceramic, epoxy, RTV, gold, aluminum,, nickel
- Tolerance on all dimensions  $\pm 0.13$  mm unless otherwise specified.
- [B] is tube connected to bottom side of sensor die.
- [T] is tube connected to top side of sensor die. Topside pressure is positive pressure. An increase in topside pressure will result in an increase in sensor output.

### Part & Lot number identification

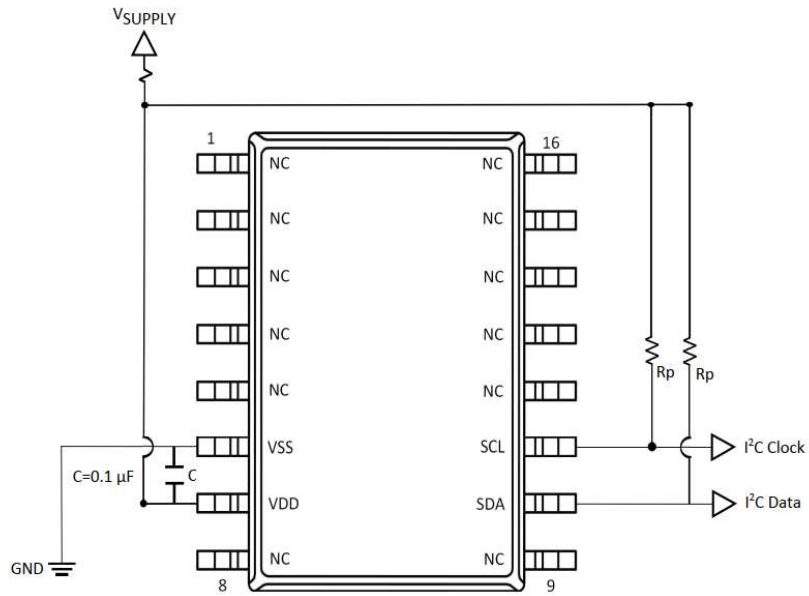




# ULTRA-LOW PRESSURE DIGITAL SENSOR

SM9541 Series

## SM9541 + Family Applications Circuit



"C" needs to be in close proximity of the device

Rp = Pull-up Resistors  
For Example: 4.7 kΩ Resistors

## Package Labeling

Pin No	Pin Function
1	NC (No Connect)
2	NC
3	NC
4	NC
5	NC
6	VSS
7	VDD
8	NC
9	NC
10	SDA
11	SCL
12	NC
13	NC
14	NC
15	NC
16	NC

### Notes:

- Do not make electrical connections to NC pins as this can adversely affect the output of the sensor

## ULTRA-LOW PRESSURE DIGITAL SENSOR

SM9541 Series

### 9. Ordering Information (Standard Configurations)

Part Number	Part Marking	Pressure Range (-ve)	Pressure Range(+ve)	Package Configuration	Tube Configuration	Shipping Method
SM9541-010C-S-C-3-S	95 – 001	-0.5 cmH <sub>2</sub> O	10 cmH <sub>2</sub> O	Compound Gauge	Dual Vertical	45 Units (per stick)
SM9541-010C-D-C-3-S	95 – 001	-10 cmH <sub>2</sub> O	10 cmH <sub>2</sub> O	Differential		
SM9541-020C-S-C-3-S	95 – 002	-1 cmH <sub>2</sub> O	20 cmH <sub>2</sub> O	Compound Gauge		
SM9541-020C-D-C-3-S	95 – 002	-20 cmH <sub>2</sub> O	20 cmH <sub>2</sub> O	Differential		
SM9541-040C-S-C-3-S	95 – 002	-5 cmH <sub>2</sub> O	40 cmH <sub>2</sub> O	Compound Gauge		
SM9541-040C-D-C-3-S	95 – 002	-40 cmH <sub>2</sub> O	40 cmH <sub>2</sub> O	Differential		
SM9541-100C-S-C-3-S	95 – 003	-5 cmH <sub>2</sub> O	100 cmH <sub>2</sub> O	Compound Gauge		
SM9541-100C-D-C-3-S	95 – 003	-100 cmH <sub>2</sub> O	100 cmH <sub>2</sub> O	Differential		
SM9541-140C-S-C-3-S	95 – 003	-20 cmH <sub>2</sub> O	140 cmH <sub>2</sub> O	Compound Gauge		

**Notes:**

- All parts also available in shipping configuration Tape & Reel (SOIC-16 Dual Horizontal 500 parts/reel; SOIC-16 Dual Vertical 350 parts/reel), see section 10. Part Numbering Key for ordering information
- Contact us for bandwidths other than 20 Hz

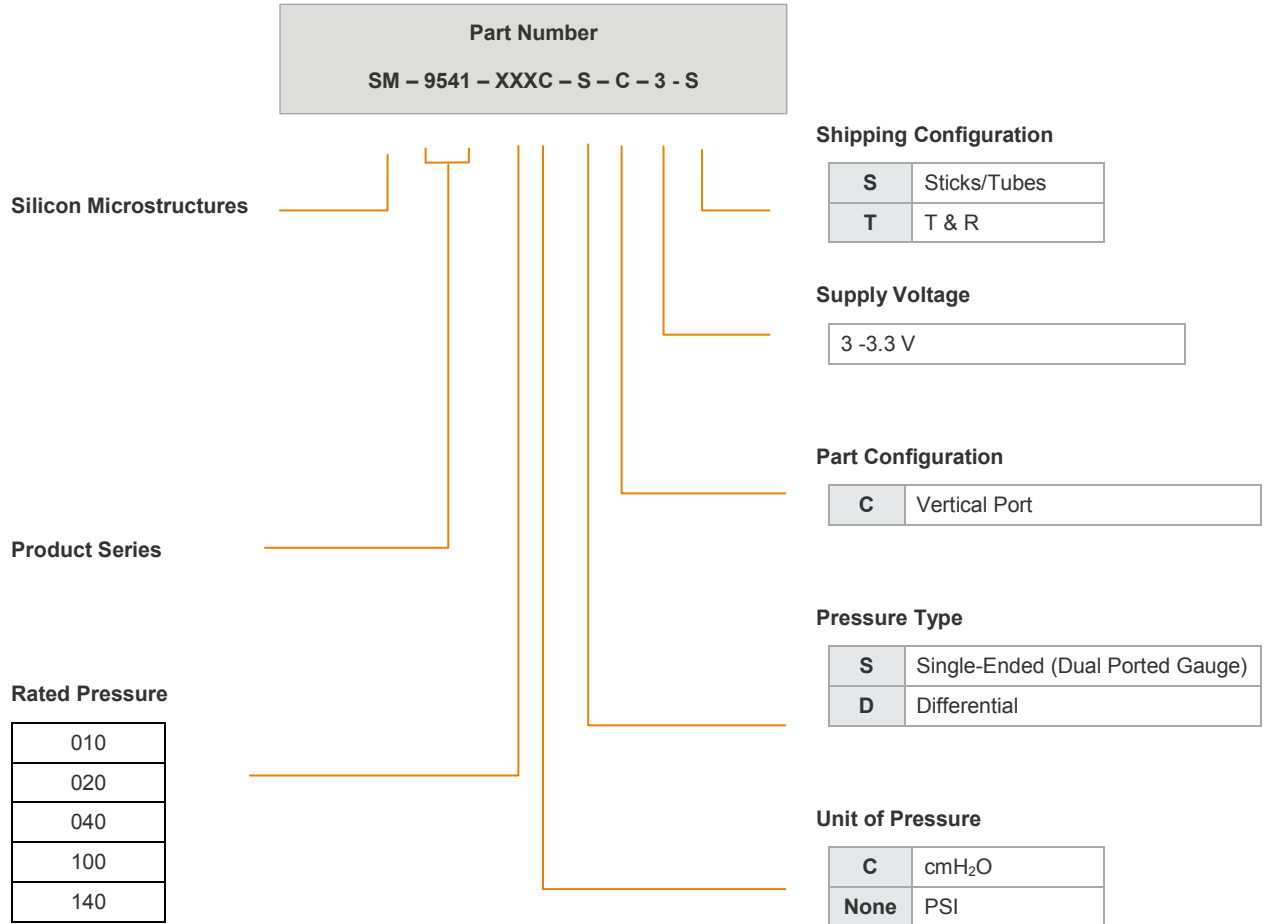
### Pressure Conversion Chart

Unit	10 cmH <sub>2</sub> O	20 cmH <sub>2</sub> O	40 cmH <sub>2</sub> O	100 cmH <sub>2</sub> O	140 cmH <sub>2</sub> O
PSI	0.14	0.3	0.6	1.4	2.0
kpa	1	2	4	10	14
mbar	10	20	39	98	137
bar	0.01	0.02	0.04	0.10	0.14
in*H <sub>2</sub> O	4	8	16	39	55
mm*Hg	7.4	15	29	74	103
hpa	10	20	39	98	137
ln*Hg	2.9	0.58	1.16	2.9	4.0
Pa	981	1,961	3,923	9,807	13,729

# ULTRA-LOW PRESSURE DIGITAL SENSOR

SM9541 Series

## 10. Part numbering key



# ULTRA-LOW PRESSURE DIGITAL SENSOR

SM9541 Series

---

## 13. Qualification Standards

REACH Compliant  
RoHS Compliant  
PFOS/PFOA Compliant



### GLOBAL

Tel +1 408 577 0100  
[customercare.mlpt@te.com](mailto:customercare.mlpt@te.com)

### [te.com/sensors](http://te.com/sensors)

TE Connectivity, TE, TE Connectivity (logo) and Every Connection Counts are trademarks. All other logos, products and/or company names referred to herein might be trademarks of their respective owners

The information given herein, including drawings, illustrations and schematics which are intended for illustration purposes only, is believed to be reliable. However, TE Connectivity makes no warranties as to its accuracy or completeness and disclaims any liability in connection with its use. TE Connectivity's obligations shall only be as set forth in TE Connectivity's Standard Terms and Conditions of Sale for this product and in no case will TE Connectivity be liable for any incidental, indirect or consequential damages arising out of the sale, resale, use or misuse of the product. Users of TE Connectivity products should make their own evaluation to determine the suitability of each such product for the specific application.

© 2022 TE Connectivity Corporation. All Rights Reserved.

Version 11/2022

