

6

5

4

3

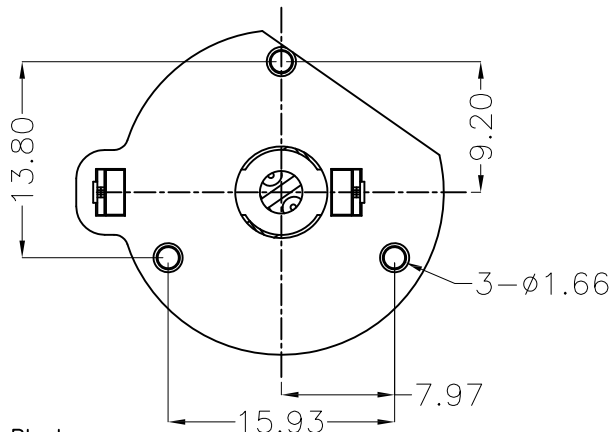
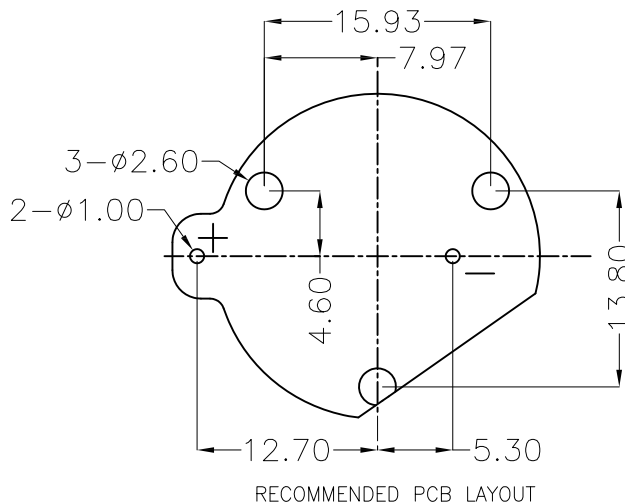
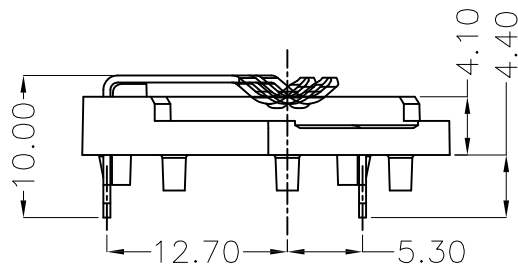
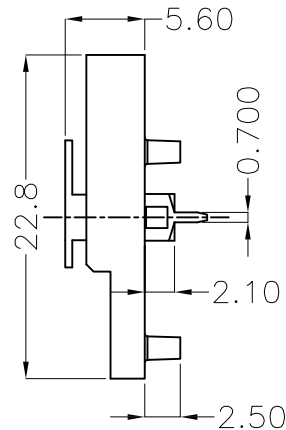
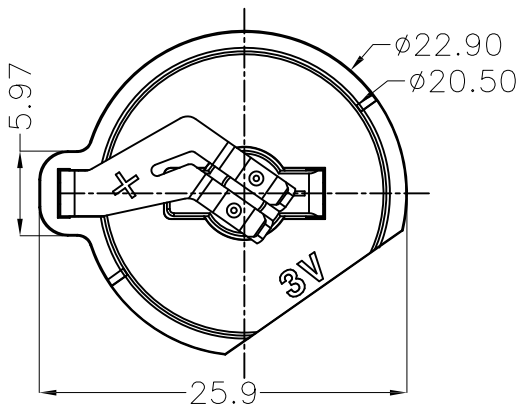
2

1

APPROVED: _____

DATE: _____ TITLE: _____

Rev	AWO #	Description	Date	Appr
-		RELEASED	3/12/20	



SPECIFICATIONS:

Material:
Housing: PBT, rated UL94V-0, Color: Black
Contact: Mn Steel, Nickel plated

Electrical:
Contact resistance: 30 Milliohms max
Insulation resistance: 1,000 Megaohms ohms min
Dielectric Voltage: 500 VAC @ sea level
Temperature Rating:
Operating temperature: -25°C to +85°C
Environmental:
Lead free, RoHS compliant



UNLESS OTHERWISE SPECIFIED
ALL DIMENSIONS ARE MILLIMETERS
TOLERANCES: EXCEPT AS NOTED

MM	ANGLE
X ± 0.30	X ± 1°
X.X ± 0.25	X.X ± 0.5°
X.XX ± 0.20	
X.XXX ± 0.10	

APPROVALS		DATE
DRAWN	LH	3/12/20
CHECKED	MY	3/12/20
APPROVED		

ADAM TECH INTERCONNECTS
909 Rahway Avenue,
Union, NJ 07083
Phone: 908-687-5000
Fax: 908-687-5710

TITLE: BATTERY HOLDER, PCB THRU HOLE
FOR 2032, DIP TYPE

SIZE	PART NO.	REV.
X	BH-124A-1	-
REF: S00136C	SCALE: NTS	SHEET 1 OF 1

6

5

4

3

2

1