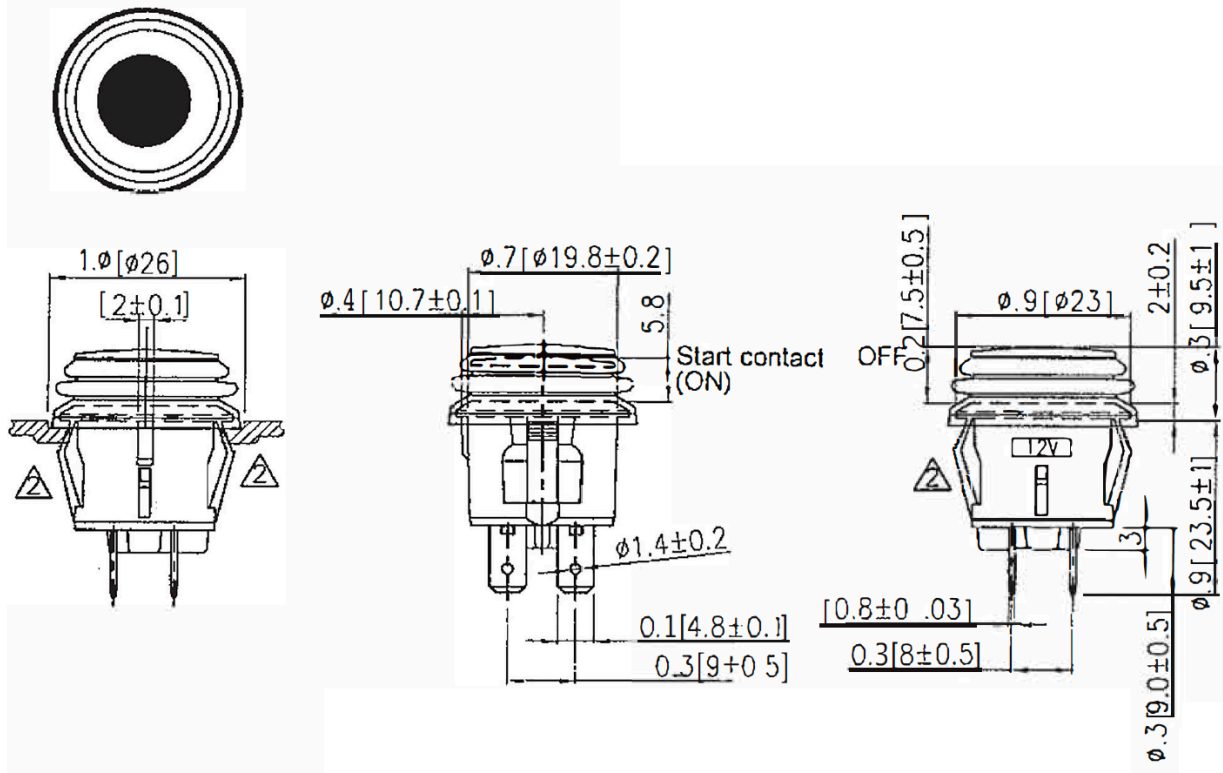
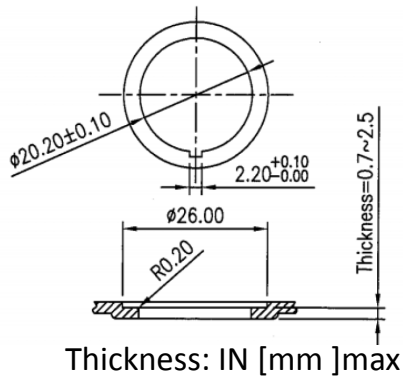


Mechanical Dimensions: Inches [mm]

Tolerances ± 0.012 [0.3] Unless Otherwise Specified

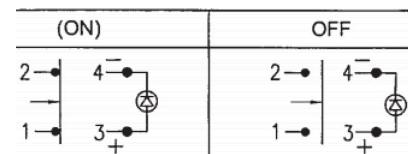


Mounting Hole



Circuit Diagram

4P SPST OFF-(ON) (LED-I)



Electrical Specifications

Rating	20A 14V DC
Contact Resistance	50m ohm Max.
Insulation Resistance	DC 500V 100M ohm Min.
Dielectric Strength	AC 1500V 1
Operation Temperature	-20°C~85°C

Material Specifications

Frame	Black, Nylon 66
Terminals	Silver plated, Copper alloy
Waterproof Rubber	Black, Silicone
LED	Red 12V (Independent)
Actuator	Red Clear, PC

Rev	Date of issue	Revision Notes	Designed	Approved
A	04-22-2019	Initial Drawing	RC	OH