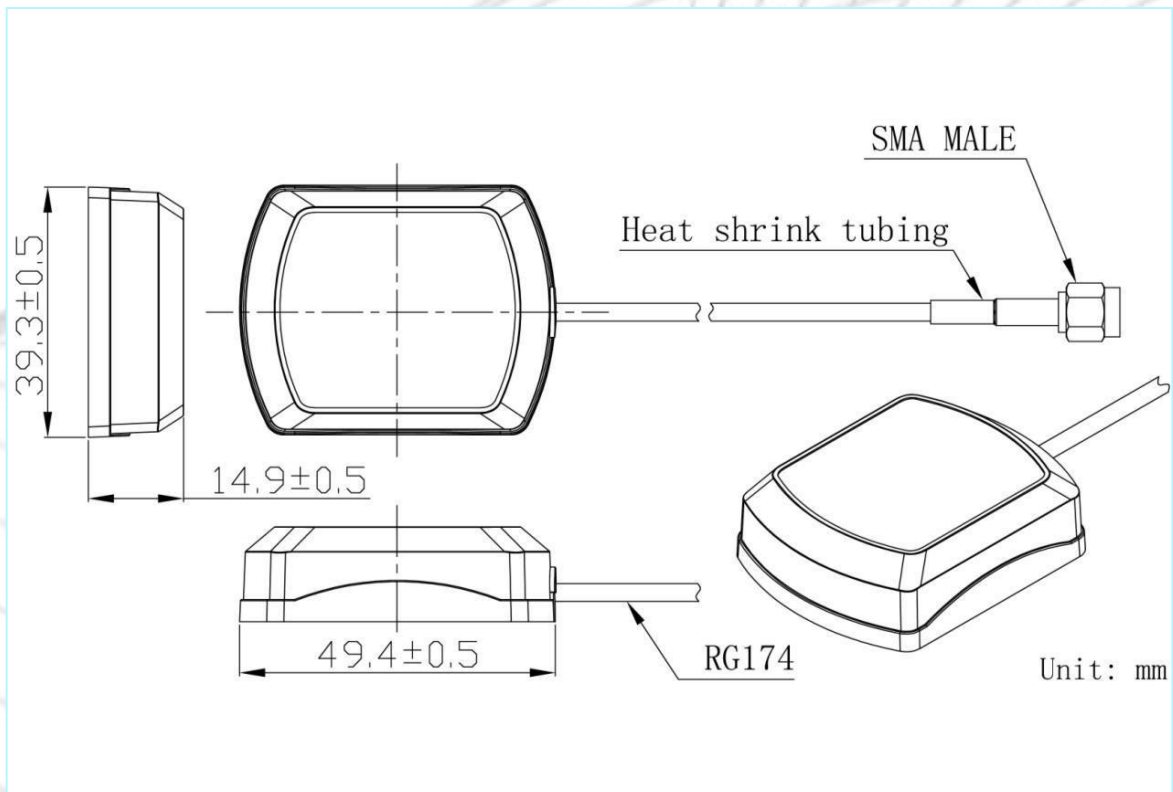


GPS Active Antenna

AN_GPS_A001_SMA



Mechanical Dimension



GPS Active antenna

Specifications

Item	Specifications	
Antenna	Center Frequency	1575.42 ± 3MHz
	Band Width	CF ± 5MHz
	Polarization	RHCP
	Gain	2dBic (Zenith)
	V.S.W.R	< 1.5
	Impedance	50Ω
	Axial Ratio	3dB (max)
	Dimension	39.3*49.4*14.9mm
LNA	Gain	28 ± 2dB
	Noise Figure	< 1.5dB
	Filter Insertion Loss	< 3dB
	Ex-band Attenuation	12dB@CF+50MHz/16dB@CF-50MHz
	Supply Voltage	2.2~5V DC
	Current Consumption	< 15mA
	V.S.W.R	< 2.0
Mechanical	Cable	RG174
	Connector	SMA
	Radome Material	ABS
	Mounting Method	Magnet
Environmental	Operating Temperature	-40°C ~ +85°C
	Relative Humidity	Up to 95%
	Ingress Protection	IP66
	Vibration	10 to 55Hz with 1.5mm amplitude 2hours
	Environmentally Friendly	ROHS Compliant

GPS Active antenna

Radiation Patterns

