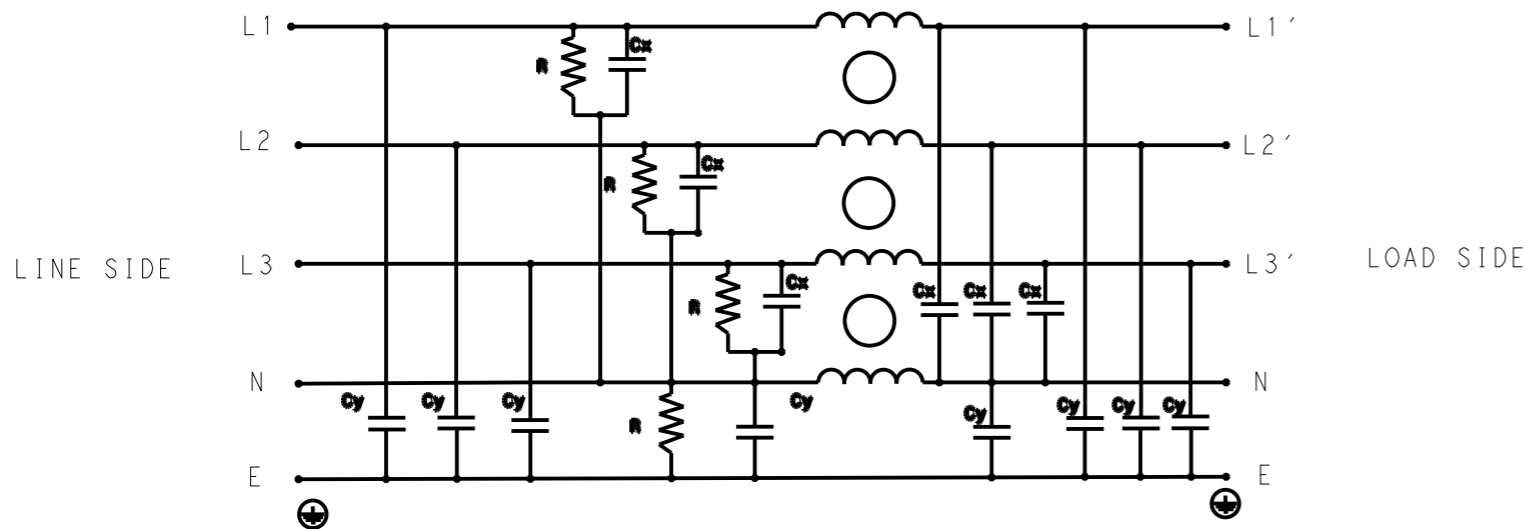


REVISIONS

P	LTR	DESCRIPTION	DATE	DWN	APVD
	A	INITIAL RELEASE	12APR2021	BS	CB



SCHEMATIC

SAFETY ORGANIZATIONS

THIS FILTER WILL BE FORMALLY RECOGNIZED, CERTIFIED OR APPROVED BY THE LISTED AGENCY. THEREFORE, ALL TEST/REQUIREMENTS SPECIFIED IN THE LATEST REVISION OF THE FOLLOWING AGENCY STANDARDS WILL BE MET:

UL APPROVED 20A 520V 50Hz/60Hz 40°C
 CSA PENDING 20A 520V 50Hz/60Hz 40°C

OPERATING SPECIFICATION

LINE CURRENT/VOLTAGE: 20A, 520VAC
LINE FREQUENCY: 50/60Hz

MAXIMUM LEAKAGE CURRENT: 8.5mA @ 230VAC, 50Hz

OPERATING AMBIENT TEMPERATURE RANGE @ RATED CURRENT: -25°C TO +40°C

IN AN AMBIENT, T_a, HIGHER THAN 40°C, THE MAXIMUM OPERATING CURRENT, I_o, IS AS FOLLOWS:

$$I_o = I_r \sqrt{\frac{85 - T_a}{45}}$$

RELIABILITY SPECIFICATIONS

STORAGE TEMPERATURE: -40°C TO +85°C
HUMIDITY: 21 DAYS @ 40°C AND 95% RH

TEST SPECIFICATIONS

INDUCTANCE, NOMINAL: 4mH

CAPACITANCE @ 1kHz

LINE TO GROUND, NOMINAL: 1.86µF
NEUTRAL TO GROUND, NOMINAL: 2.2µF
LINE TO NEUTRAL, NOMINAL: 10µF

DISCHARGE RESISTOR

L/L I.R. 2MΩ 1W
 L/N I.R. 1MΩ 1W
 L/G I.R. 2MΩ 1W
 N/G I.R. 1MΩ 1W
 IR (NO DISCHARGE RESISTOR) 20°C, 50% RH AND 100VDC, MIN: 6MΩ

RECOMMENDED RECEIVING INSPECITON HIPOT

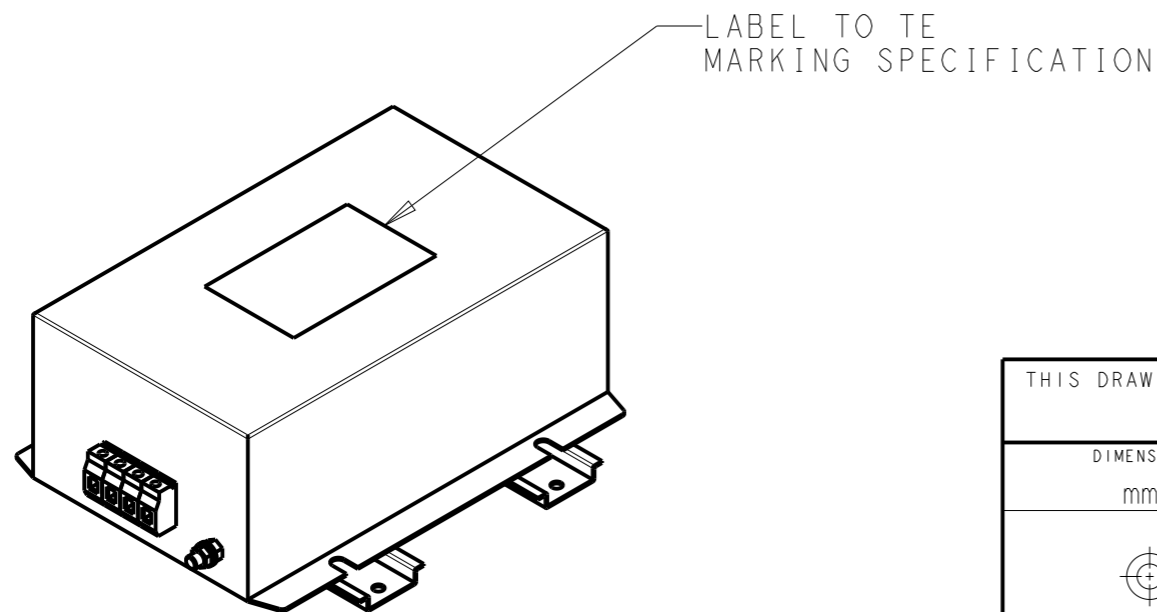
LINE TO GROUND FOR 1 MINUTE: 2856VDC
LINE TO LINE FOR 1 MINUTE: 2236VDC
LINE TO NEUTRAL FOR 1 MINUTE: 1290VDC

FILTER APPROVAL

THE BEST WAY TO SELECT AND QUALIFY A FILTER IS FOR YOUR ENGINEERING TO TEST THE UNIT IN YOUR EQUIPMENT.

TYPICAL INSERTION LOSS
COMMON MODE 50/50Ω; DIFFERENTIAL MODE 50/50Ω

MHz	0.01	0.05	0.15	0.5	1	3	5	10	30
CM	55	57	60	51	45	38	30	28	32
DM	35	32	52	50	47	36	33	30	25



THIS DRAWING IS A CONTROLLED DOCUMENT.		DWN 12APR2021 BAPAT SAHAS		
DIMENSIONS: mm		CHK 12APR2021 CHRIS BOLLE		
TOLERANCES UNLESS OTHERWISE SPECIFIED:		APVD 12APR2021 CHRIS BOLLE	NAME POWER LINE FILTER FOR DIN 35 RAIL INSTALLATION 20KEPS10BFPWHM	
0 PLC ±.5 1 PLC ±0.5 2 PLC ±0.40 3 PLC ±0.130 4 PLC ±0.0500 ANGLES ±.		PRODUCT SPEC -	APPLICATION SPEC -	
MATERIAL -		WEIGHT -	SIZE A3	CAGE CODE 00779
FINISH -		DRAWING NO. C-8-1609969-1		RESTRICTED TO -
-		CUSTOMER DRAWING		SCALE 1:3 SHEET 1 OF 2 REV A

© 2021 TE Connectivity. All Rights Reserved.

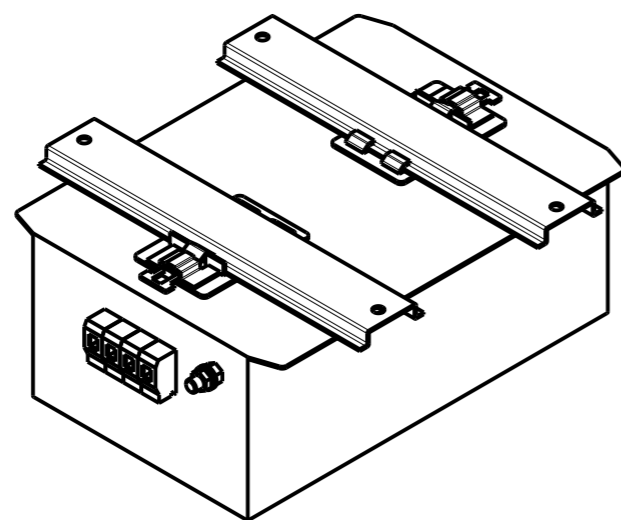
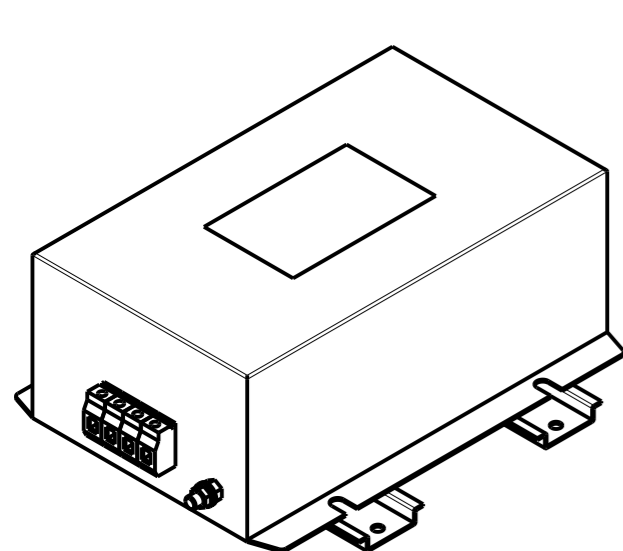
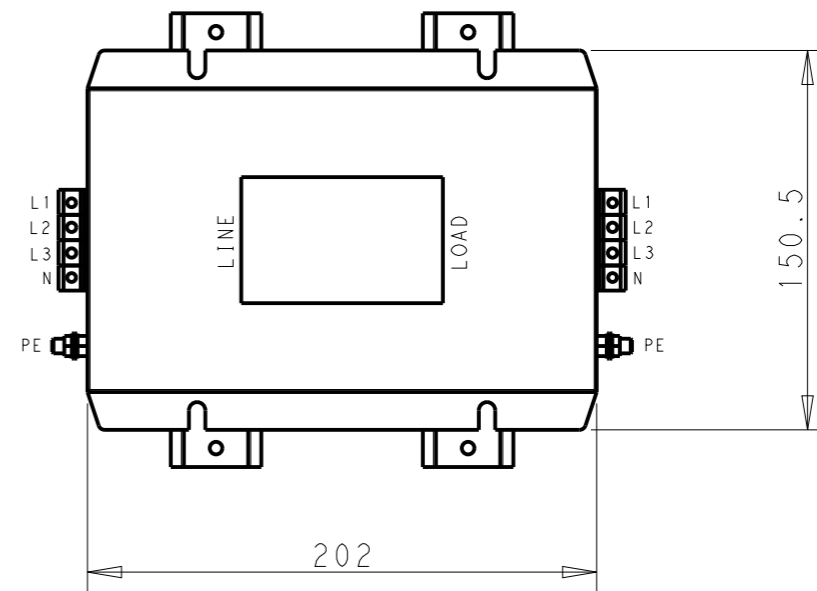
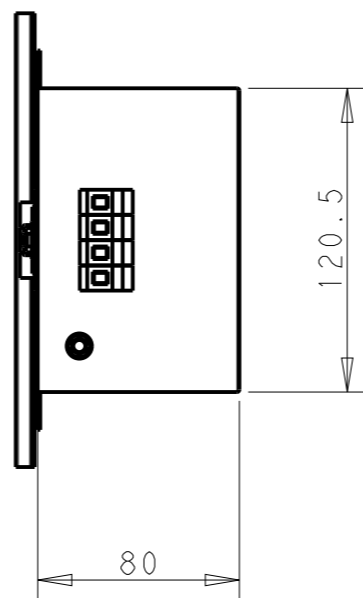
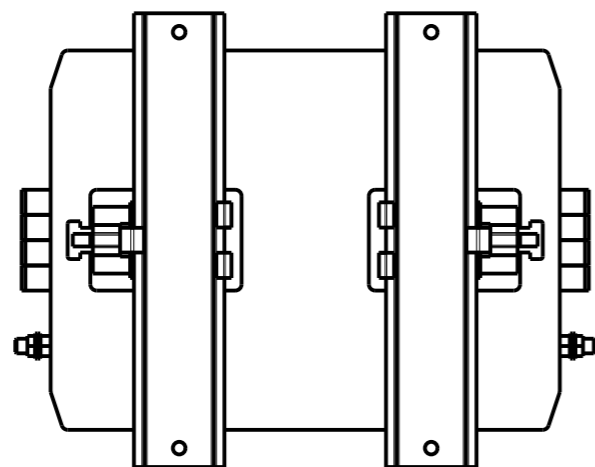
NOTE 1 GROUND CONNECTION:
 FOR ELECTRICAL SAFETY AND FILTER PERFORMANCE
 UNIT MUST HAVE A GOOD GROUND CONNECTION.
 TORQUE OUTER TERMINAL SCREWS: 0.5Nm / 4.5 in.lbs
 TORQUE GROUND NUTS: 2.5-3Nm

NOTE 2 INPUT OUTPUT CONNECTION TERMINAL
 AWG SIZE: 26-12 AWG
 WIRE SECTION: 4 mm²
 THREADED BOLT SIZE FOR GROUND: M6

NOTE 3 SUPPLIED WITH DIN RAIL BRACKET

NOTE 4 DRAWINGS SHOWS DIN RAIL FOR REFERENCE ONLY

REVISIONS					
P	LTR	DESCRIPTION	DATE	DWN	APVD
		SEE SHEET 1			



DIN RAIL CHANNEL

DIN 35 BRACKET

FRONT SIDE

REAR SIDE

THIS DRAWING IS A CONTROLLED DOCUMENT.

DIMENSIONS: mm	TOLERANCES UNLESS OTHERWISE SPECIFIED:
	0 PLC ±-
	1 PLC ±0.5
	2 PLC ±0.40
	3 PLC ±0.130
	4 PLC ±0.0500
	ANGLES ±-
MATERIAL	FINISH
-	-
-	-

DWN	BAPAT SAHAS	12APR2021
CHK	CHRIS BOLLE	12APR2021
APVD	CHRIS BOLLE	12APR2021
PRODUCT SPEC	-	-
APPLICATION SPEC	-	-
WEIGHT	-	-
CUSTOMER DRAWING		



NAME
 POWER LINE FILTER FOR
 DIN 35 RAIL INSTALLATION
 20KEPS10BFPWHM

SIZE	CAGE CODE	DRAWING NO	RESTRICTED TO
A3	00779	C-8-1609969-1	-
SCALE		SHEET	REV
1:3		2 OF 2	A