

4

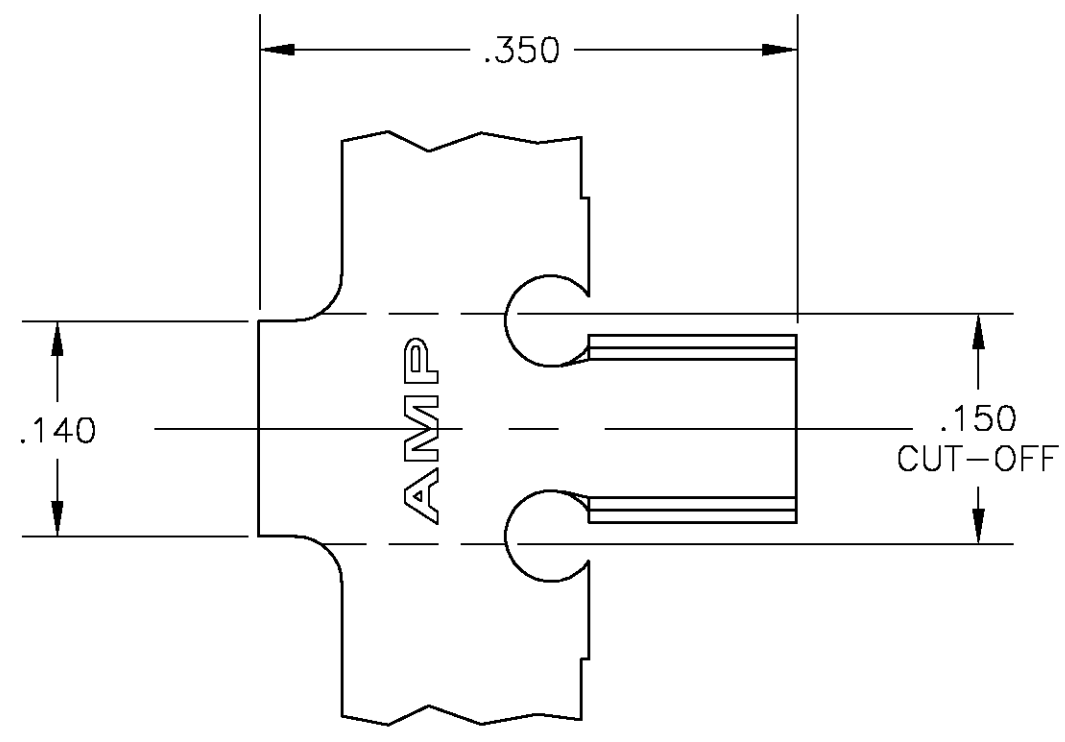
3

2

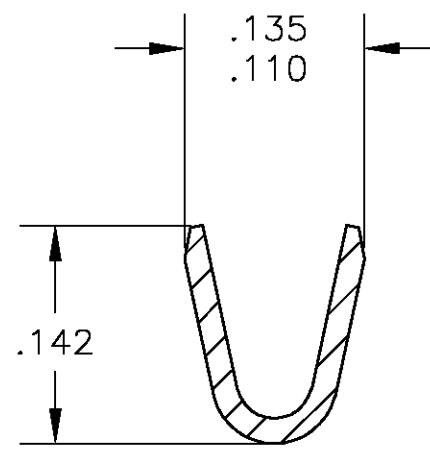
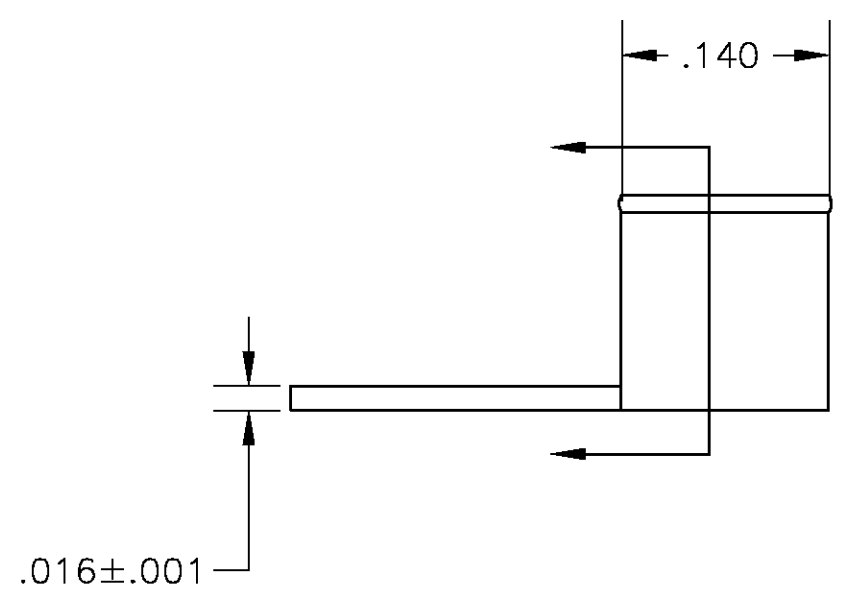
1

THIS DRAWING IS UNPUBLISHED. RELEASED FOR PUBLICATION
 © COPYRIGHT BY TYCO ELECTRONICS CORPORATION. ALL RIGHTS RESERVED.

LOC	DIST	REVISIONS			
P	LTR	DESCRIPTION	DATE	DWN	APVD
AF	50	K	REV PER 0G3A-0787-03	15DEC03	JR GP



- 1 CONTINUOUS STRIP ON REELS
- 2 WIRE SIZE IS #18-#14 OR TWO #18'S



62134-2
 PART NO

THIS DRAWING IS A CONTROLLED DOCUMENT.		DWN jr_ruth 15DEC2003	Tyco Electronics Corporation City, State, Zip				
DIMENSIONS: INCHES		CHK G PORTA 15DEC03					
TOLERANCES UNLESS OTHERWISE SPECIFIED:		APVD G PORTA 15DEC03	NAME CONTACT				
0 PLC ± - 1 PLC ± - 2 PLC ± - 3 PLC ± .010 4 PLC ± - ANGLES ± -		PRODUCT SPEC -	-				
MATERIAL TEMP 2 STEEL		FINISH NICKEL	APPLICATION SPEC -	SIZE A3	CAGE CODE 00779	DRAWING NO C-62134	RESTRICTED TO -
CUSTOMER DRAWING			WEIGHT -	SCALE 8:1	SHEET 1 OF 1	REV K	