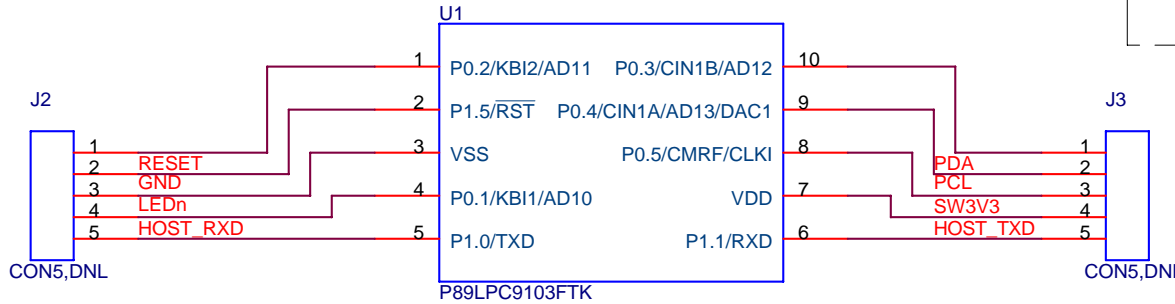
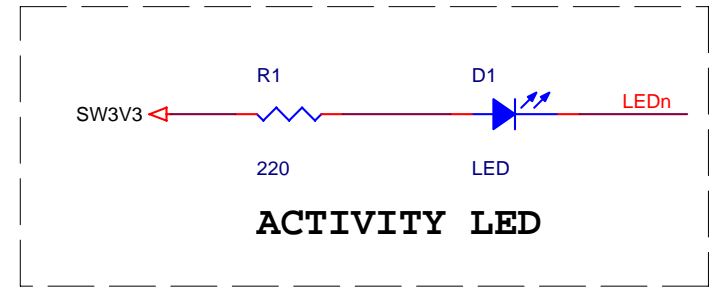
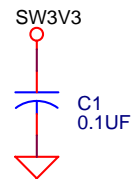
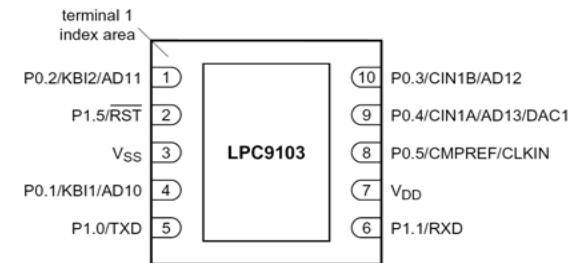
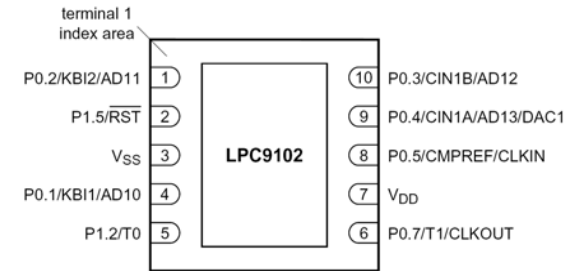
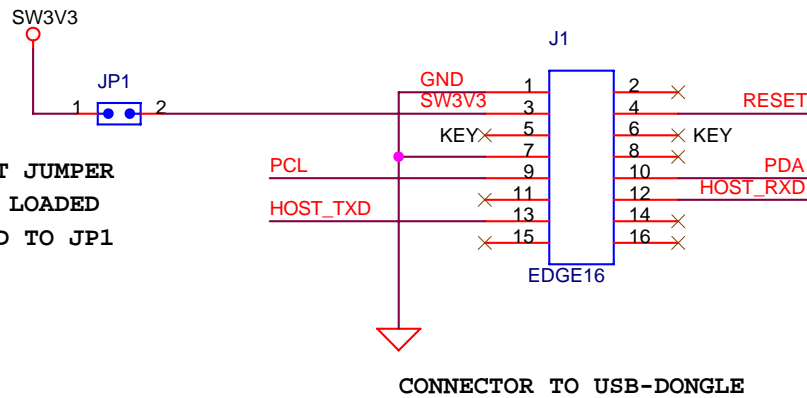


BOARD VARIATIONS:

DB-HVSON10-LPC9102 U1 = P89LPC9102FTK *
 DB-HVSON10-LPC9103 U1 = P89LPC9103FTK
 (*) NOT NORMALLY STOCKED, AVAILABLE
 ON SPECIAL ORDER



POWER MEASUREMENT JUMPER
 JP1 NOT NORMALLY LOADED
 JP1 PIN 1 SHORTED TO JP1
 PIN 2



Future Designs, Inc. Huntsville, AL		FDI
Title: DB-HVSON10		
Size:	Document Number:	Rev: 1
Date: Friday, May 18, 2007	Sheet: 1 of 1	