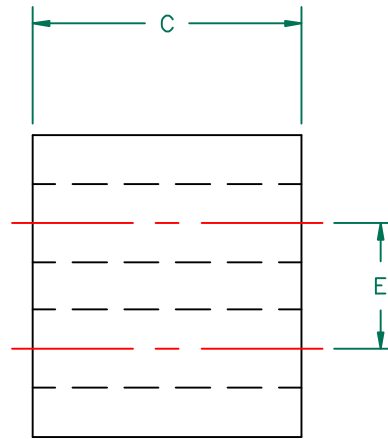
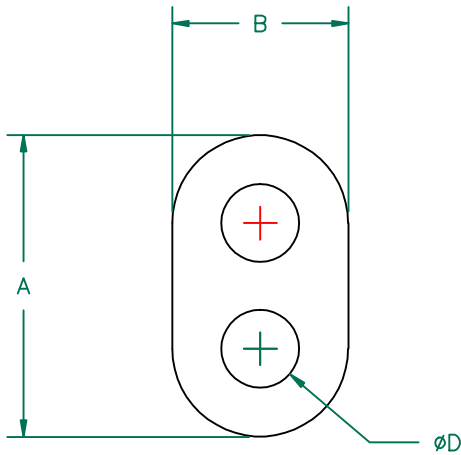


**UNCONTROLLED
DOCUMENT**

Scale Drawing



28N0277-000



ELECTRICAL TESTING

TEST	NET Z	NET Z
# TURNS	1 LOOP	1 LOOP
AWG	24	24
FREQUENCY	25 MHz	100 MHz
NOMINAL	64 Ω	114Ω
MINIMUM	-	86 Ω
WEIGHT/K	0.61171 KGS	1.3486 LBS

BARE CORE DIMENSIONS:

A	7.04 [.277]	+ 0.25 [.010]
B	4.06 [.160]	+ 0.13 [.005]
C	6.20 [.244]	+ 0.25 [.010]
D	1.80 [.071]	+ 0.13 [.005]
E	2.90 [.114]	+ 0.13 [.005]

DIMENSIONS ARE IN mm [INCHES].				This print is the property of Laird Tech. and is loaned in confidence subject to return upon request and with the understanding that no copies shall be made without the written consent of Laird Tech. All rights to design or invention are reserved.			
PROJECT/PART NUMBER:				REV	PART TYPE:	DRAWN BY:	
28N0277-000				A	BALUN	Jcai	
DATE: 05/20/13				SCALE: 6:1		MATERIAL:	
CAD # 28N0277-000-A				TOOL # N0277		FERRITE	
REV	DESCRIPTION	DATE	INT				
A	ORIGINAL DRAFT	05/20/13	Jcai				