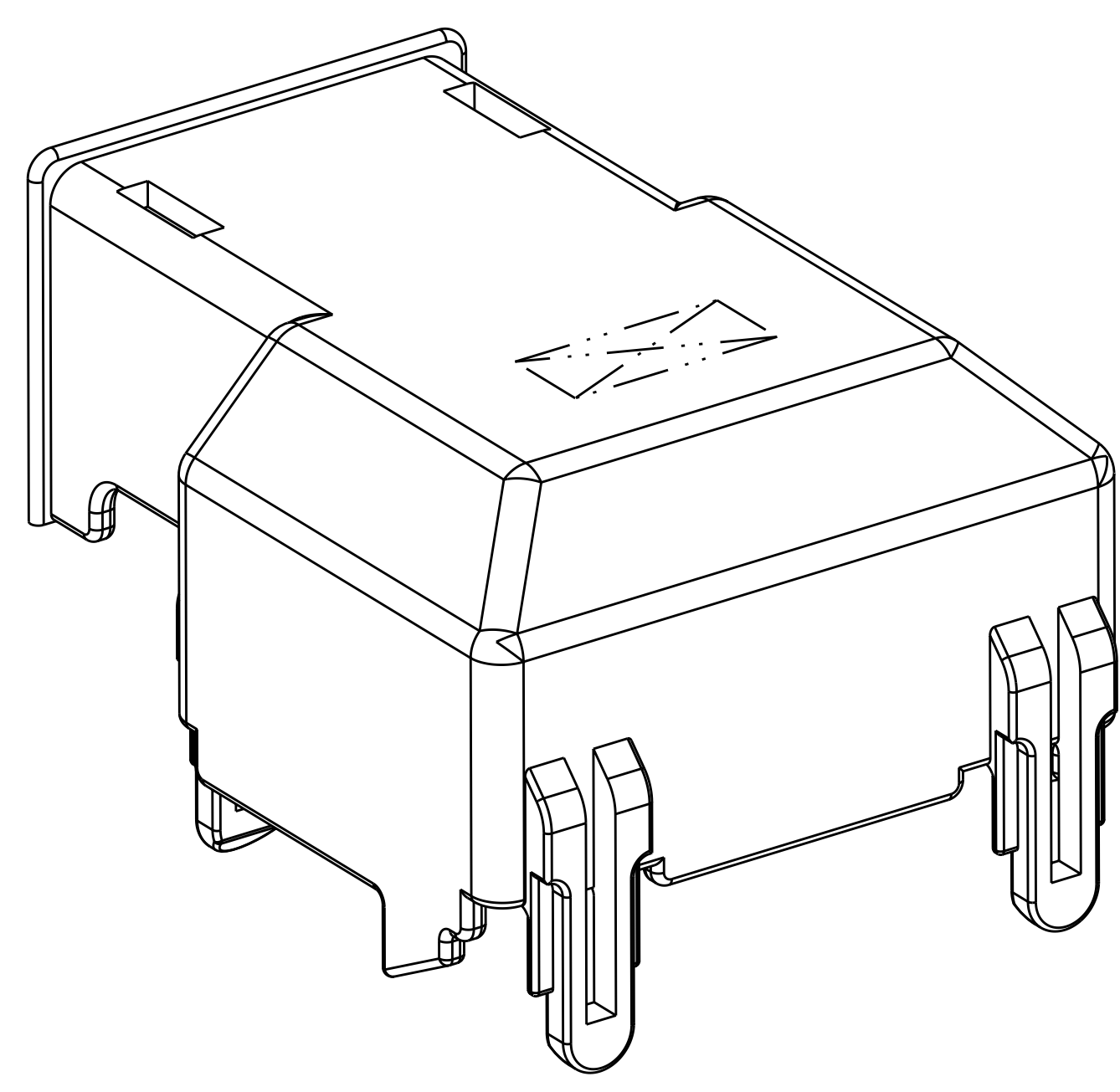
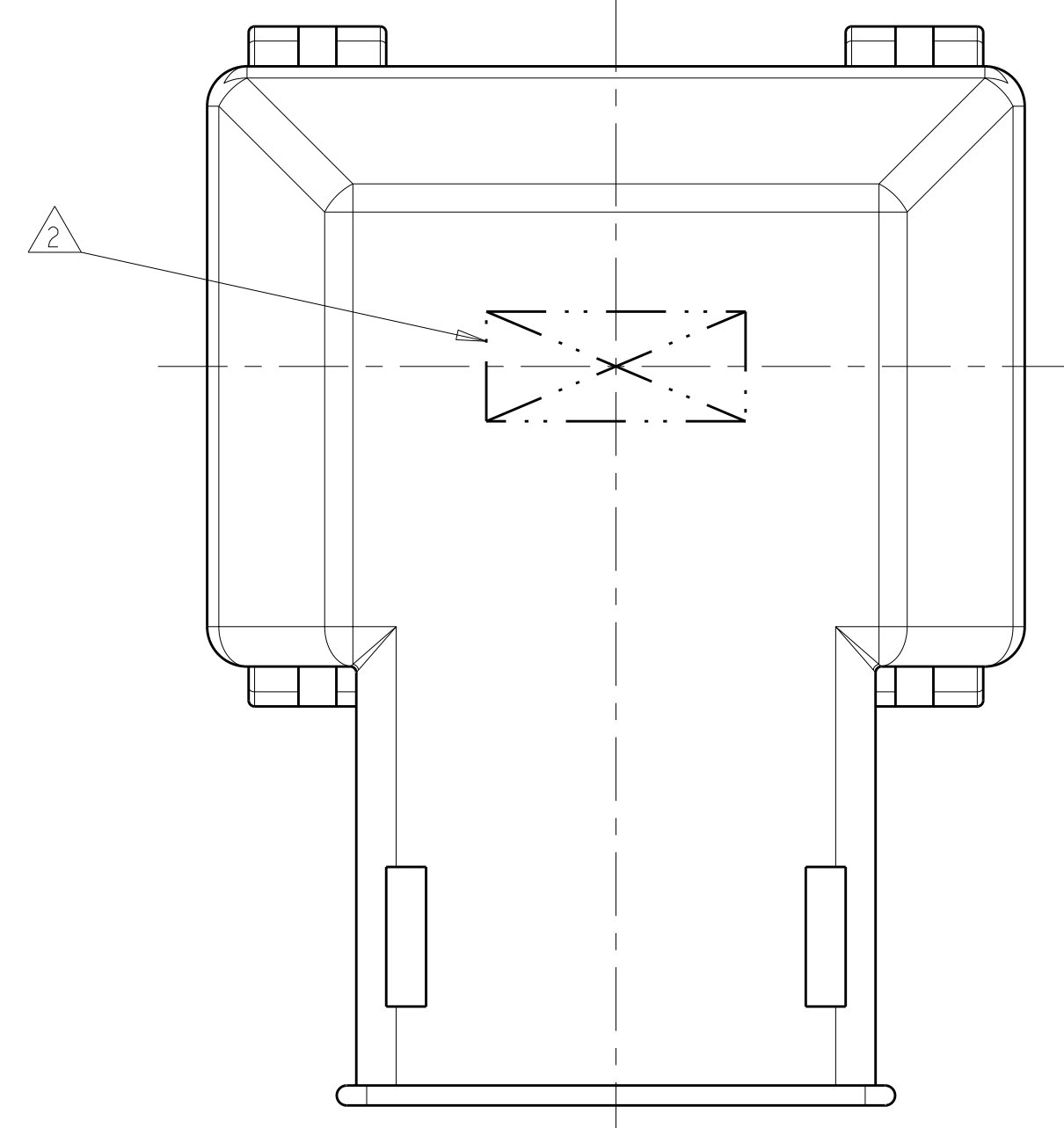
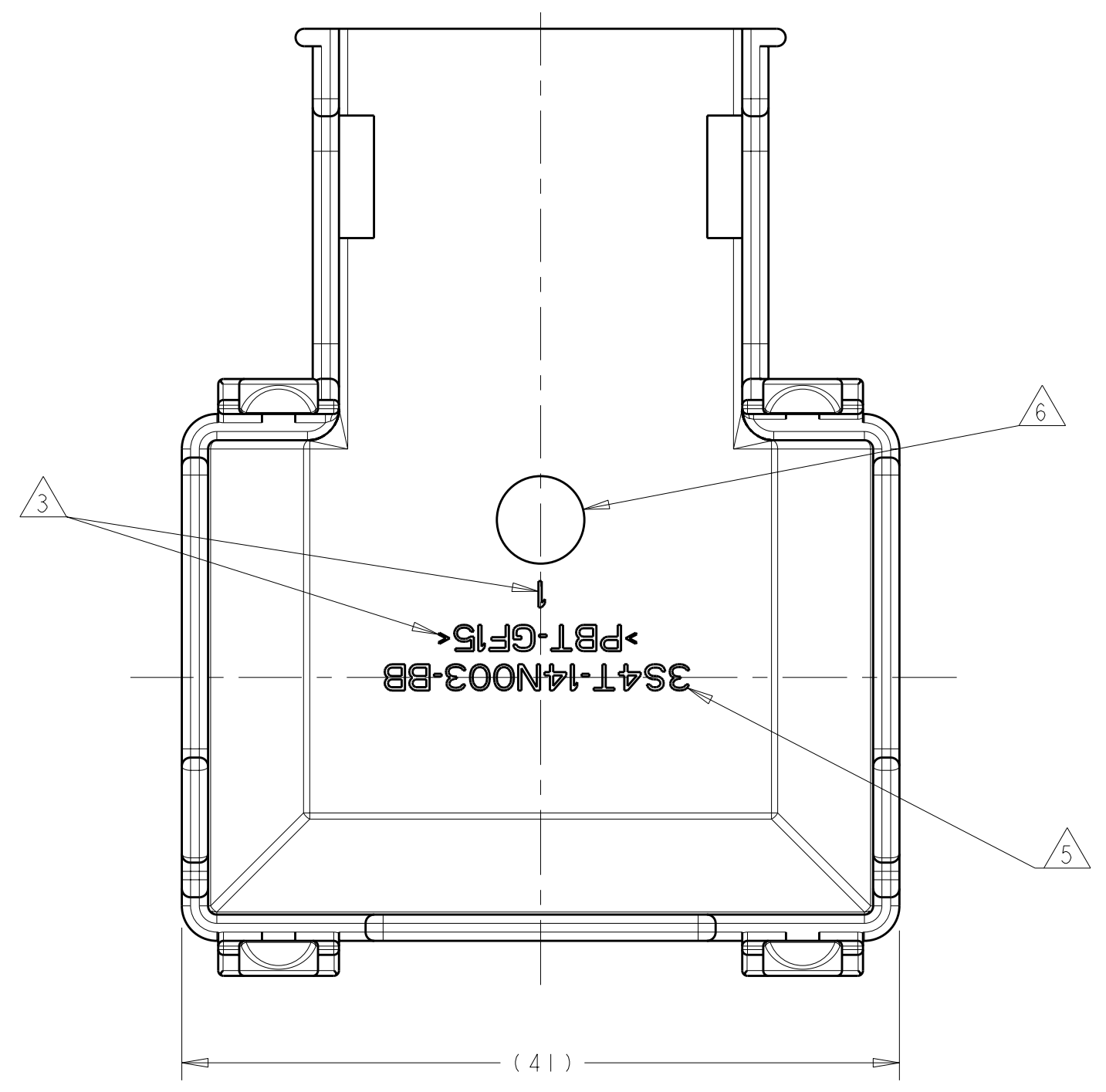
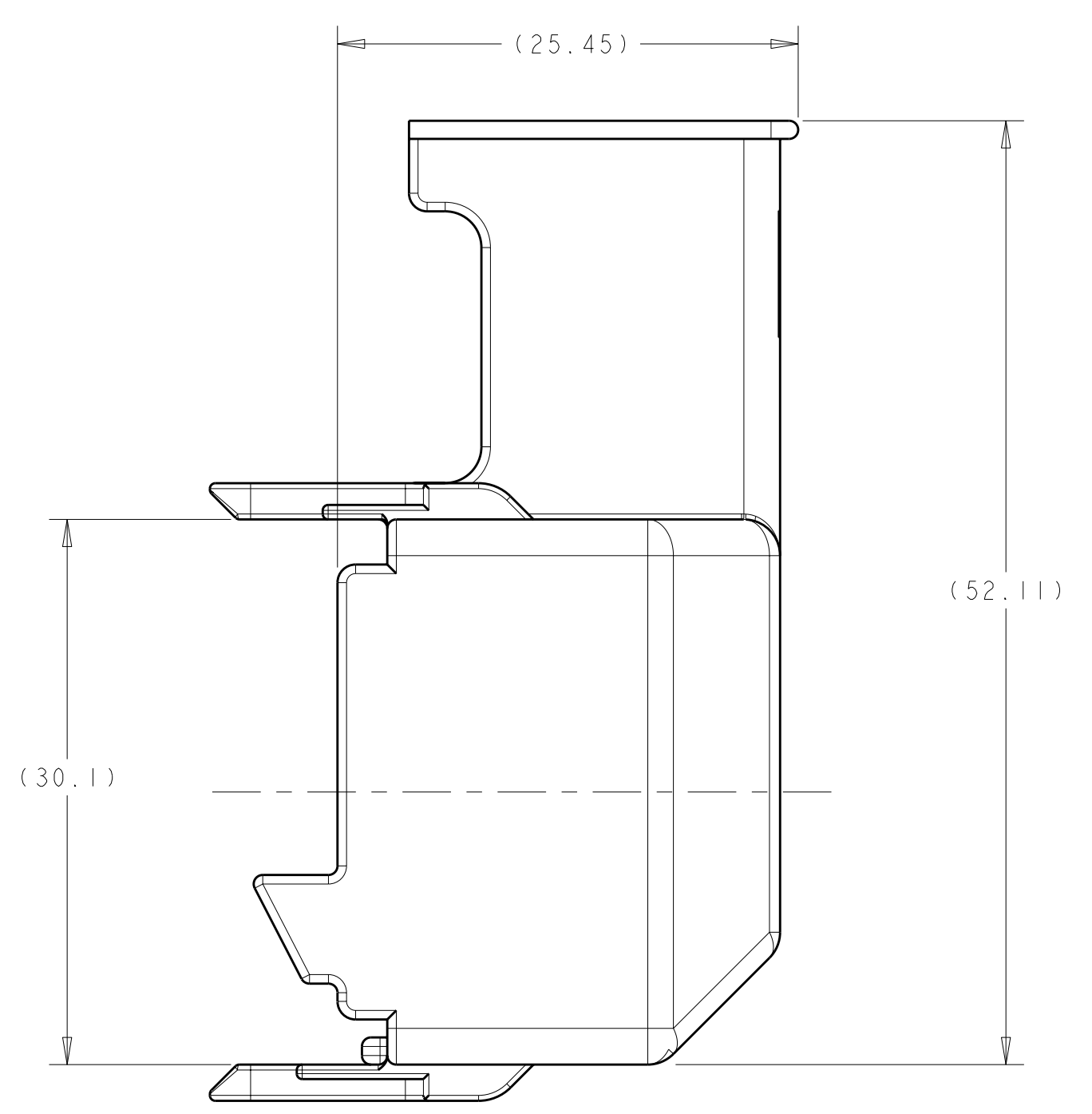
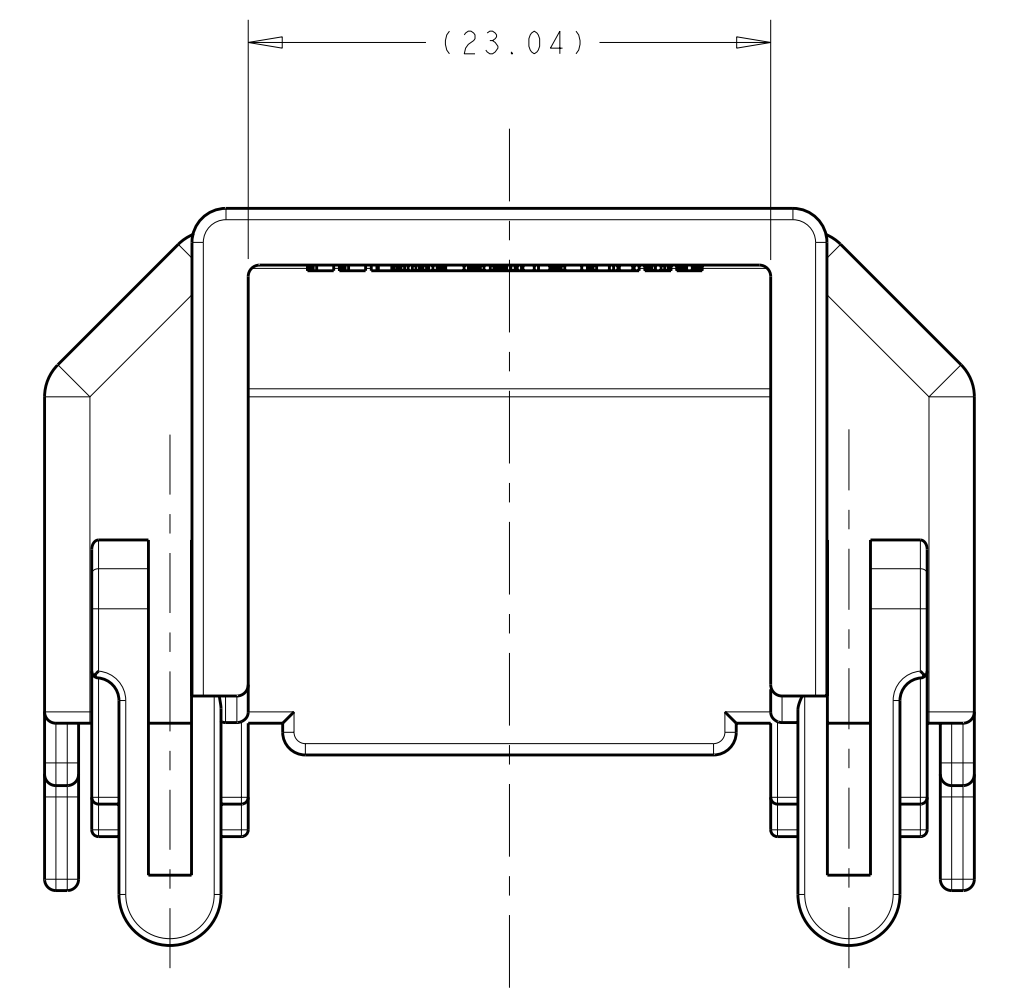


LOC	DIST	REVISIONS			
P	LTB	DESCRIPTION	DATE	DWN	APVD
A		RLSD PER D06-057	24MAR2006	RGV	TJV
A1		REV PER ECO-10-015982	10AUG2010	HM	DCM



- 1 MATERIAL: PBT-GF15  
COLOR: BLACK
- 2 COMPANY LOGO LOCATED APPROXIMATELY AS SHOWN.
- 3 MOLD CAVITY I.D. & RECYCLING CODE >PBT-GF15< AS SHOWN.
- 4. 25% MAXIMUM REGRIND.
- 5 PART NUMBERS APPROXIMATELY AS SHOWN AS STATED IN PART NUMBER TABLE.
- 6 DATE CODE APPROXIMATELY AS SHOWN.



DIMENSIONS: mm 		TOLERANCES UNLESS OTHERWISE SPECIFIED: 0 PLC ± 1 PLC ±0.3 2 PLC ±0.10 3 PLC ± 4 PLC ± ANGLES ±1° FINISH -		DWN R. VESTAL 24MAR2006 CHK T. VALASEK 24MAR2006 APVD T. VALASEK 24MAR2006 PRODUCT SPEC APPLICATION SPEC WEIGHT CUSTOMER DRAWING		3S4T-14N003-BB 1438126-1 CUSTOMER PART NO. PART NUMBER Tyco Electronics Harrisburg, PA 17105-3608 NAME 50-WAY WIRE DRESSING SIZE CAGE CODE DRAWING NO. RESTRICTED TO A 100779 C=1438126 SCALE 3:1 SHEET 1 OF 1 REV A1	
-----------------------	--	--	--	--	--	---	--