

6

5

4

3

2

1

APPROVED: \_\_\_\_\_

DATE: \_\_\_\_\_ TITLE: \_\_\_\_\_

Rev	AWO #	Description	Date	Appr
-		RELEASED	11/12/18	

D

D

C

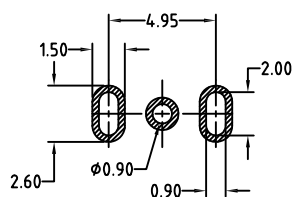
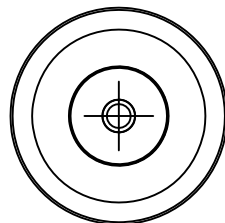
C

B

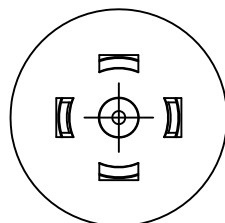
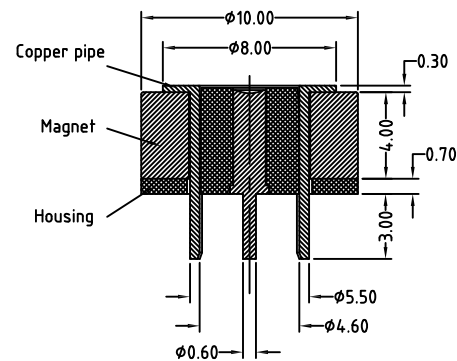
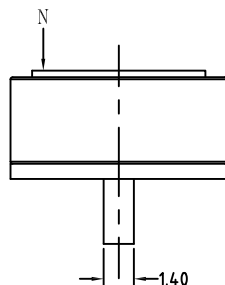
B

A

A



RECOMMENDED PCB LAYOUT



Mating with: CA-RA2-PHR-34113-M-WT  
CA-ST2-PHR-202-M

SPECIFICATIONS:

Material:  
 Insulator: Hi-Temp Thermoplastic, rated UL 94V-0  
 Insulator color: Black  
 Pin: Brass, 10u" Gold plated over Nickel  
 Copper pipe: Brass, Nickel plated  
 Magnet: NdFeB  
 Electrical:  
 Rated Current & Voltage: 24VDC, 5A max  
 Contact resistance: 50 mohms max  
 Environmental:  
 Lead free, RoHS compliant.



UNLESS OTHERWISE SPECIFIED ALL DIMENSIONS ARE MILLIMETERS TOLERANCES: EXCEPT AS NOTED		<b>ADAM TECH</b>		909 Rahway Avenue, Union, NJ 07083	
Millimeters		<b>INTERCONNECTS</b>		Phone: 908-687-5000 Fax: 908-687-5710	
0~6	± 0.05	TITLE			
6~30	± 0.10	POGO PIN CHARGING DOCKING, FEMALE, STRAIGHT			
30~150	± 0.15	DATE			
ANGLE ± 1°		DRAWN			
APPROVALS		DATE			
CHECKED	CK	11/12/18			
APPROVED					
SIZE	PART NO.	REV.			
X	PHR-C4777-02A-FVP-800	-			
REF:	S00170C	SCALE:	NTS	SHEET 1 OF 1	

6

5

4

3

2

1