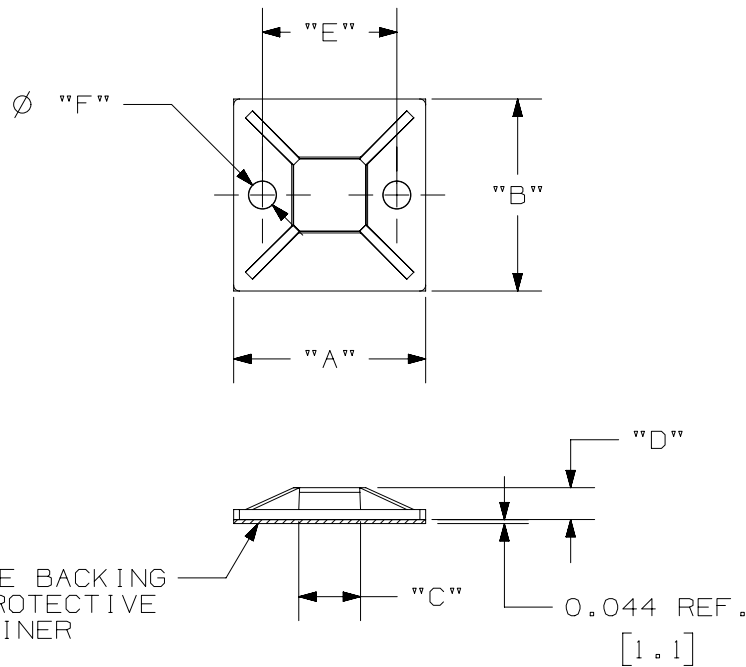


THIS COPY IS PROVIDED ON A RESTRICTED BASIS AND IS NOT TO BE USED IN ANY WAY DETRIMENTAL TO THE INTERESTS OF PANDUIT CORP.

PANDUIT PART NO.	DIM "A" INCH [mm]	DIM "B" INCH [mm]	DIM "C" INCH [mm]	DIM "D" INCH [mm]	DIM "E" REF. INCH [mm]	DIM "F" REF. INCH [mm]
SMP12A	0.79 [20.0]	0.79 [20.0]	0.21 [5.4]	0.24 [6.1]	0.55 [14.0]	0.10 [2.6]
SMP16A	1.00 [25.0]	1.00 [25.0]	0.25 [6.5]	0.30 [7.5]	0.67 [17.0]	0.13 [3.3]
SMP18A	1.18 [30.0]	1.18 [30.0]	0.28 [7.0]	0.34 [8.7]	0.79 [20.0]	0.18 [4.5]



NOTE:
SEE WWW.PANDUIT.COM FOR PART NUMBER
SUFFIX DESIGNATION FOR PACKAGE SIZE,
PART MATERIAL, PART COLOR AND THIRD
PARTY RECOGNITION OR COMPLIANCE.

PART NUMBER		SEE TABLE	
TITLE			
STRONGHOLD MOUNTS ADHESIVE APPLIED		CUSTOMER DRAWING	
ITEM REVISION NAME		00586EBA/01	
DATASET FILE NAME		00586EBA_DC/01A	
MATERIAL		NYLON 6/6	
DRAWING NUMBER		00586EBA_DC	
DRAWN BY		JBN	
DATE		02-21-20	
CHK		BMAG	
SCALE		NONE	
SHEET 1 OF 1		A	

REV	DATE	BY	CHK	APR	DESCRIPTION	ECN
01A	07-30-20	JBN	BMAG	RGB JHAC	B. REVISED HOLE DIA TO 0.13 [3.3] WAS 0.138 [3.50] A. REVISED HOLE DIA TO 0.10 [2.6] WAS 0.114 [2.90]	076845 rev.01
00A	03-10-20	JBN	BMAG	RGB JHAC	RELEASED	076845

A-SIZE CUSTOMER