

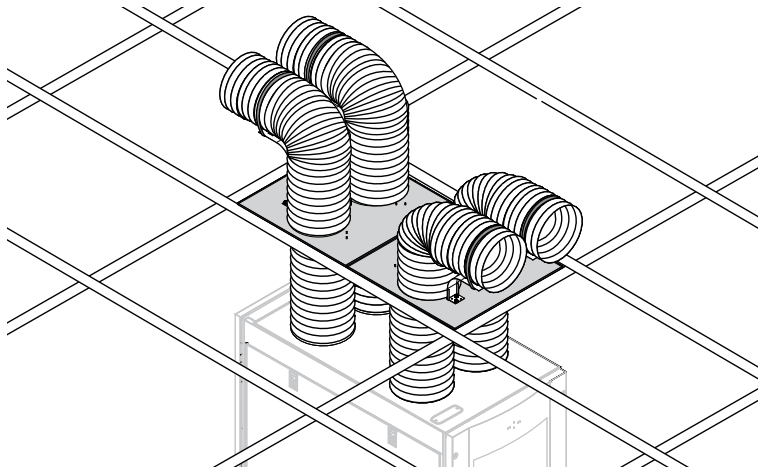
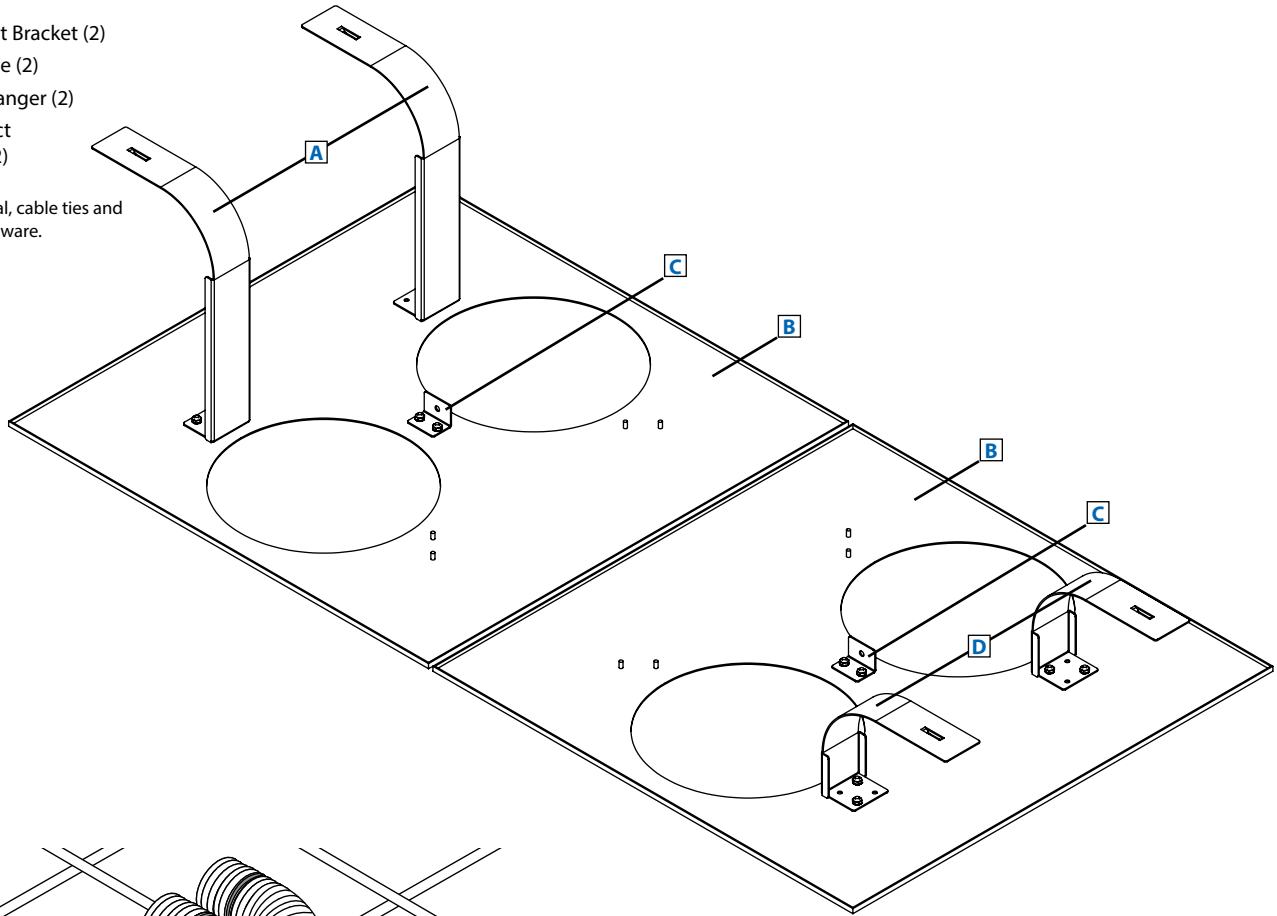
MODEL:

SRCEILINGADAPT

SmartRack® Ceiling Tile Adapter Kit for SRCOOL33K/SRXCOOL33K

- A** Long Duct Bracket (2)
- B** Ceiling Tile (2)
- C** Ceiling Hanger (2)
- D** Short Duct Bracket (2)

Also Includes:
Owner's manual, cable ties and
mounting hardware.



- SRCEILINGADAPT allows you to easily install your SRCOOL33K / SRXCOOL33K ductwork
- Includes all required hardware

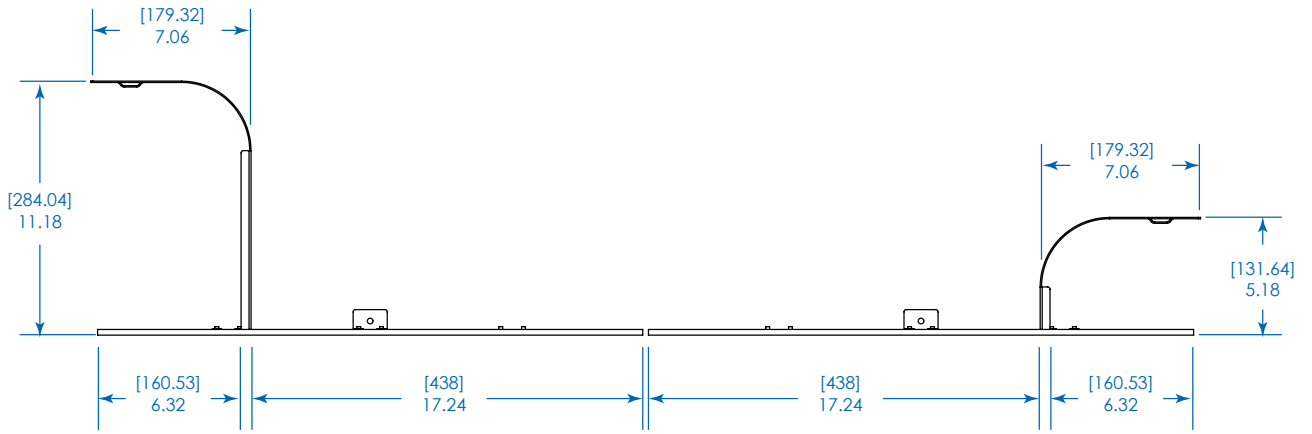
SEE NEXT PAGE FOR DETAILED UNIT MEASUREMENTS

Specifications

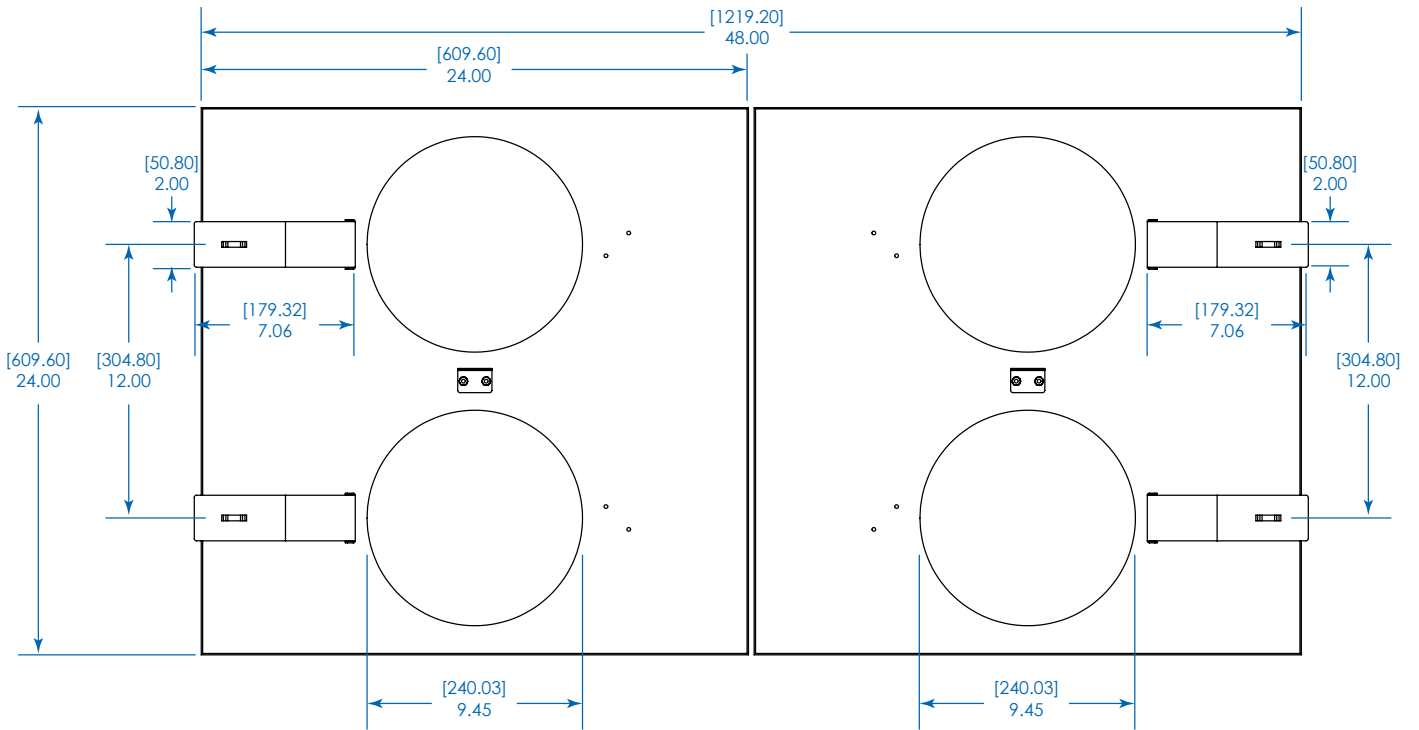
Model	SRCEILINGADAPT
Shipping Dimensions (H x W x D)	4 x 26.25 x 26.5 in. / 101.6 x 666.8 x 673.1 mm
Shipping Weight	10.9 lb. / 4.9 kg
Standards	Meets RoHS standards



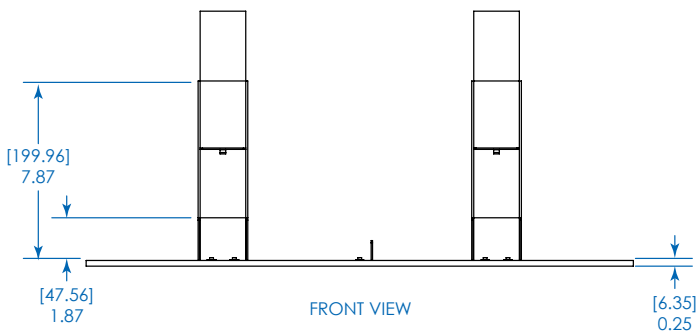
1111 W. 35th Street
Chicago, IL 60609 USA
773.869.1234
www.tripplite.com



SIDE VIEW



TOP VIEW



FRONT VIEW

MODEL:
SRCEILINGADAPT



1111 W. 35th Street
Chicago, IL 60609 USA
773.869.1234

www.tripplite.com

Dimensions: [mm] INCHES

Tripp Lite has a policy of continuous improvement. Specifications are subject to change without notice.