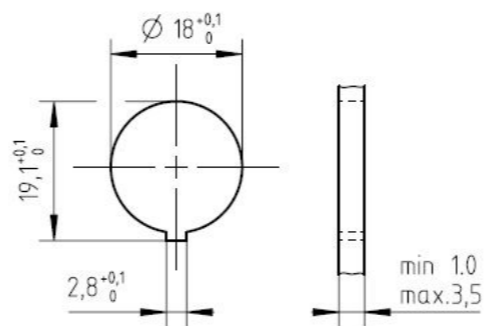


\* for 12 and 14 pol dimension is 6,45

Panel cutout M1:1



|   |                           |   |                 |                           |                          |                          |                   |                 |                          |      |      |
|---|---------------------------|---|-----------------|---------------------------|--------------------------|--------------------------|-------------------|-----------------|--------------------------|------|------|
| Number of contacts                            | Standard                  | 3   | 4               | 5                         | 5                        | 6                        | 7                 | 7               | 8                        | 12   | 14   |
| Contact arrangement                           | IEC 61076-2-106           | 03-a  | 04-a            | 05-a                      | 05-b                     | 06-a                     | 07-a              | 07-b            | 08-a                     | 12-a | 14-a |
| Contact arrangement                           | IEC 60130-9 <sup>1)</sup> | yes   | no              | yes                       | no                       | yes                      | no                | yes             | no                       |      |      |
| Rated voltage <sup>2)</sup>                   | IEC 60664-1               | 300 V<br>(100 V)  | 300 V<br>(63 V) | 100 V<br>(32 V)           | 300 V<br>(63 V)          | 100 V<br>(32 V)          | 100 V<br>(32 V)   | 150 V<br>(32 V) |                          |      |      |
| Rated voltage                                 | UL 1977                   | 250V  |                 |                           |                          |                          |                   | 60V             |                          |      |      |
| Rated impulse withstand voltage <sup>2)</sup> | IEC 60664-1               | 1500 V<br>(1500 V)  |                 | 1200 V<br>(800 V)         | 1500 V<br>(1500 V)       |                          | 1200 V<br>(800 V) |                 |                          |      |      |
| Pollution degree <sup>2)</sup>                | IEC 60664-1               | 1 (2)   |                 |                           |                          |                          |                   |                 |                          |      |      |
| Installation category                         | IEC 60664-1               | I   |                 |                           |                          |                          |                   |                 |                          |      |      |
| Insulation group                              | IEC 60664-1               | II, 400 ≤ CTI < 600   |                 |                           |                          |                          |                   |                 |                          |      |      |
| Current rating                                | IEC 60512-5-2<br>UL 1977  | 10A/+40°C   |                 | 7A/+40°C                  |                          |                          |                   |                 | 3A/+40°C                 |      |      |
| Insulation resistance                         | IEC 60512-3-1             | >10 <sup>10</sup> Ohm <sup>3)</sup>   |                 |                           |                          |                          |                   |                 |                          |      |      |
| Contact resistance                            | IEC 60512-2-1             | <5mOhm  |                 |                           |                          |                          |                   |                 |                          |      |      |
| Climatic category                             | IEC 60668-1               | 40 / 100 / 56   |                 |                           |                          |                          |                   |                 |                          |      |      |
| Temperatur range                              | IEC 60668-1               | -40°C...+100°C / -40°F...+212°F   |                 |                           |                          |                          |                   |                 |                          |      |      |
| IP degree                                     | IEC 60529                 | IP 40   |                 |                           |                          |                          |                   |                 |                          |      |      |
| Insertion and withdrawal force                | IEC 60512-13-2            | 25N   | 30N             | 35N                       | 35N                      | 50N                      | 55N               | 55N             | 60N                      | 50N  | 50N  |
| mechanical operation                          | IEC 60512-9-1             | Silver ≥500 mating cycles / Gold ≥1000 mating cycles  |                 |                           |                          |                          |                   |                 |                          |      |      |
| housing material                              |                           | brass and / or zinc die cast, nickel plated or thermoplast  |                 |                           |                          |                          |                   |                 |                          |      |      |
| dielectric material                           |                           | thermoplastic   |                 |                           |                          |                          |                   |                 |                          |      |      |
| contacts                                      |                           | silver or gold plated, please order contacts separately acc to drawing M-N 01 015 00XX X (3-8pol) or M-N 01 010 0158 X (12-14pol) |                 |                           |                          |                          |                   |                 |                          |      |      |
| termination technique                         |                           | crimp   |                 |                           |                          |                          |                   |                 |                          |      |      |
| wire gauge                                    |                           | 0,09-1,0mm <sup>2</sup>   |                 | 0,09-0,75 mm <sup>2</sup> | 0,09-1,0 mm <sup>2</sup> | 0,09-0,75mm <sup>2</sup> |                   |                 | 0,09-0,25mm <sup>2</sup> |      |      |
| flamability                                   |                           | UL 94 VO  |                 |                           |                          |                          |                   |                 |                          |      |      |
| locking system                                |                           | metal screw coupling; tightening torque 0,7 - 1,5 Nm  |                 |                           |                          |                          |                   |                 |                          |      |      |

<sup>1)</sup> Edition 2000-05  
<sup>2)</sup> values in brackets are according to DIN EN 61076-2-106  
<sup>3)</sup> under operating conditions >10<sup>8</sup> Ohm

Do not connect or disconnect under load. Metal housing parts shall be securely incorporated to protected ground. All technical data have been measured in a laboratory environment and can be different during practical usage of the product. Any product information is for descriptive usage only and not legally binding; particularly the information does not constitute or provide any legal guaranties ("Beschaffungsgarantie" or "Haltbarkeitsgarantie").

|  |   |              |
|--|---|--------------|
|  | 14<br>(14-a)  | T 3652 150 U |
|  | 12<br>(12-a)  | T 3637 150 U |
|  | 8<br>(08-a)   | T 3506 150 U |
|  | 7<br>(07-b)   | T 3486 150 U |
|  | 7<br>(07-a)   | T 3477 150 U |
|  | 6<br>(6-a)  | T 3402 150 U |
|  | 5<br>(05-b)   | T 3358 150 U |
|  | 5<br>(05-a)   | T 3362 150 U |
|  | 4<br>(04-a)   | T 3302 150 U |
|  | 3<br>(03-a)   | T 3262 150 U |
|  | 2<br>(Pin 1+3)  | T 3202 150 U |
| Contact arrangement<br>View on mating side | Number of contacts<br>(Contact arrangement acc. DIN EN 61076-2-106) | Part number  |

|   |  |                               |        |  |
|---|--|-------------------------------|--------|--|
| Gewicht (errechnet) / Calc WT: 15,793 g | Zul. Abw./Tolerances:                  | Maßstab / Scale: 2:1;1:1      | A3     |  |
| Prüfmaß / Testdimension                 | ISO 2768-c                             | CUSTOMER DRAWING              |        |  |
| Teileindex / Partindexnumber:           | DIN / ISO 13715                        | Male receptacle rear mounting |        |  |
| Bagatelle change:                       | Gez. 14.06.2021                        | M CA T 3XXX 150 U             |        |  |
|   | Drawn MCARLE                           | Blatt / Sheet 1               |        |  |
|   | Status Released                        | 1 Bl.                         |        |  |
|   | Gepr. 16.06.2021                       | Ers. f. / Replacement for:    |        |  |
|   | Checked MBERTSCH                       |                               |        |  |
|   | <b>Amphenol Tuchel Industrial GmbH</b> |                               |        |  |
| 01                                      | 202100006                              | 15.06.2021                    | MCARLE |  |
| Index                                   | Änderung / Description                 | Datum / Date                  | Name   |  |

Weitergabe sowie Vervielfältigung dieser Unterlage, Verwertung und Mitteilung ihres Inhalts nicht gestattet, soweit nicht ausdrücklich zugestanden. Zuwiderhandlungen verpflichten zu Schadensersatz. Alle Rechte für den Fall der Patenterteilung oder Gebrauchsmuster-Eintragung vorbehalten.

FAI2021-002707  
NXM-V03