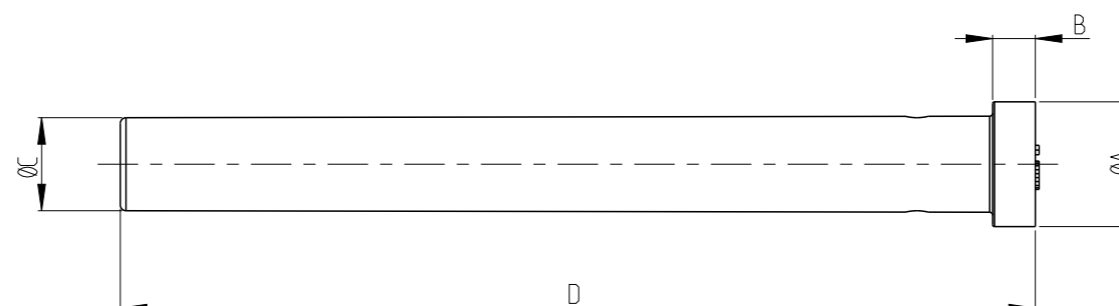
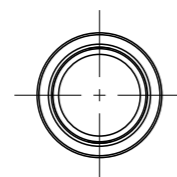
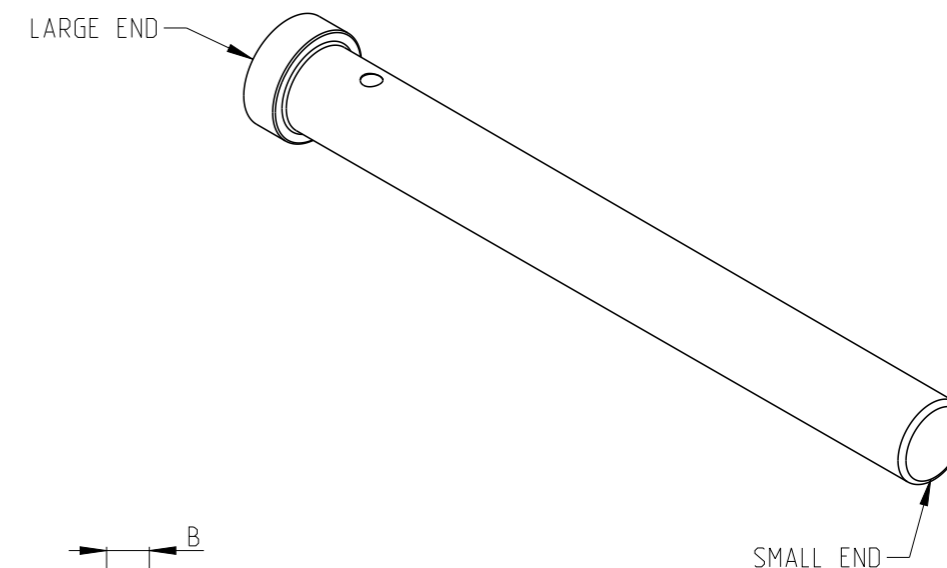


REVISIONS

| P | LTR | DESCRIPTION | DATE | DWN | APVD |
|---|-----|-----------------|-----------|-----|------|
| | A | INITIAL RELEASE | 03SEP2020 | J.G | I.Y |
| | | | | | |
| | | | | | |



1. MATERIAL: PBT GF15, COLOR AND PN SEE TABLE
2. FOR LOCKING FUNCTION, INSERT LARGE END FIRST.
3. DRAWING NO. FOR NTS 20P: C-2350890 AND C-2350891
DRAWING NO. FOR NTS 48P: C-2366494 AND C-2366509

| | | | | | | |
|-----------|--------|--------------------|-------|-------|-------|-------|
| 2373921-4 | GREEN | SIZE 20 OF NTS 48P | 2.54 | 0.85 | 1.84 | 27.8 |
| 2373921-3 | BLUE | SIZE 16 OF NTS 48P | 3.30 | 1.13 | 2.46 | 27.8 |
| 2373921-2 | YELLOW | SIZE 20 OF NTS 20P | 2.54 | 0.85 | 1.84 | 24.2 |
| 2373921-1 | GREY | SIZE 16 OF NTS 20P | 3.30 | 1.13 | 2.46 | 24.2 |
| PN | COLOR | USED FOR | DIM A | DIM B | DIM C | DIM D |

| | | | | | | | |
|---|-------------|-------------------------------|----------------------------------|--------------|--------------------|-------------------------|--------------------|
| THIS DRAWING IS A CONTROLLED DOCUMENT. | | DWN J.GU | 03SEP2020 | | | | |
| DIMENSIONS: mm | | CHK E. JIANG | 03SEP2020 | | | | |
| | | APVD I. YIN | 03SEP2020 | | | | |
| TOLERANCES UNLESS OTHERWISE SPECIFIED: 0 PLC ±- 1 PLC ±0.3 2 PLC ±0.2 3 PLC ±- 4 PLC ±- ANGLES ±- | | PRODUCT SPEC 108-160071 | NAME NTS LOCKING SEALING PLUG | | | | |
| MATERIAL - | FINISH - | APPLICATION SPEC 114-32209 | WEIGHT - | SIZE A3 | CAGE CODE 00779 | DRAWING NO C-2373921 | RESTRICTED TO - |
| CUSTOMER DRAWING | | | | SCALE 5:1 | SHEET 1 OF 1 | REV A | |