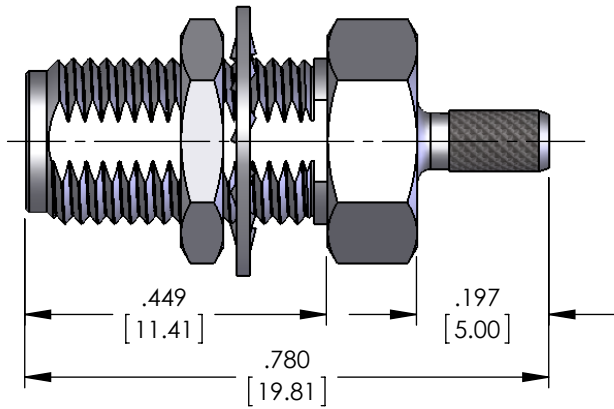
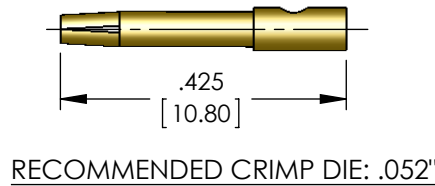


# RSA-3252-B

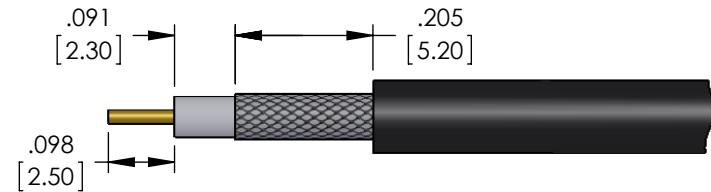
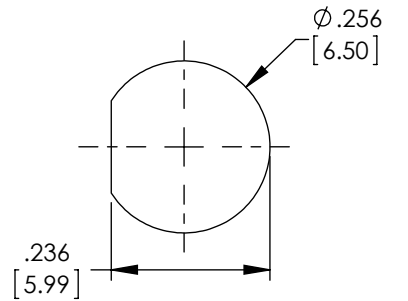
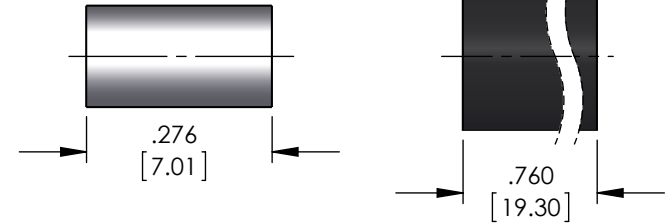
REV	DESCRIPTION	DATE	APPR
-	ENGINEERING RELEASE	05/14/13	JDM



.125 [3.2] MAX PANEL THICKNESS



RECOMMENDED CRIMP DIE: .130"



## SPECIFICATIONS:

IMPEDANCE: 50 Ohms  
 FREQUENCY RANGE: 0-12.4 GHz  
 WORKING VOLTAGE: 500 V rms Max. @ Sea Level  
 INSULATION RESISTANCE: 5k M Ohms min.  
 TEMPERATURE RANGE: -65°C TO 165°C  
 INSERTION LOSS(dB): 0.06 dB MAX.  $x\sqrt{f}$ (GHz)  
 FOR RG-174, 188, 188A, 316/U, ALPHA 9174, 9316,  
 BELDEN 8216, 83269, 83284, 84316 & TIMES LMR-100 CABLE

7	TUBING	1	HEAT SHRINK	BLACK
6	FERRULE	1	BRASS	NICKEL
5	HEX NUT	1	BRASS	NICKEL
4	LOCK WASHER	1	BRASS	NICKEL
3	CONTACT	1	BeCu	GOLD
2	INSULATOR	1	PTFE	---
1	BODY	1	BRASS	NICKEL
#	DESCRIPTION	QTY	MATERIAL	FINISH

<b>ROHS</b> COMPLIANT	NAME	DATE	<b>RF INDUSTRIES</b> 7610 MIRAMAR RD. SAN DIEGO, CA. 92126 858-549-6340 FAX 858-549-6345	
	DRAWN	C. ZUNIGA		05/14/13
	CHECKED			
UNLESS OTHERWISE SPECIFIED:	ENG APPR.		TITLE:	
DIMENSIONS ARE IN INCHES	<b>PROPRIETARY AND CONFIDENTIAL</b>		<b>SMA JACK BULKHEAD</b>	
ALL DIMENSIOS ARE FOR REFERENCE ONLY	THE INFORMATION CONTAINED IN THIS DRAWING IS THE SOLE PROPERTY OF RF INDUSTRIES. ANY REPRODUCTION IN PART OR AS A WHOLE WITHOUT THE WRITTEN PERMISSION OF RF INDUSTRIES IS STRICTLY PROHIBITED.		SIZE	
CABLE GROUP			DWG. NO.	REV
CODE			<b>A</b>	<b>RSA-3252-B</b>
000000	SCALE: NTS	NOTES:	SHEET 1 OF 1	