

# Cable gland - G-INSEC-PG29-M68N-NNES-S - 1411201

Please be informed that the data shown in this PDF Document is generated from our Online Catalog. Please find the complete data in the user's documentation. Our General Terms of Use for Downloads are valid (<http://phoenixcontact.com/download>)



Cable gland, cable gland material: Nickel-plated brass, external cable diameter 18 mm ... 25 mm, shielding: yes, connecting thread: Pg29, color: silver, with O-ring



## Key Commercial Data

|              |               |
|--------------|---------------|
| Packing unit | 5 pc          |
| GTIN         |               |
| GTIN         | 4046356923330 |

## Technical data

### Dimensions

|                                     |                                    |
|-------------------------------------|------------------------------------|
| Length                              | 47 mm                              |
| Wrench size, union nut              | 40 mm                              |
| Wrench size, support                | 40 mm                              |
| Hexagon angular dimension           | 44.5 mm                            |
| Length of the connecting thread     | 8 mm                               |
| Feed-through hole diameter          | 37.1 mm ... 37.4 mm                |
| External cable diameter             | 18 mm ... 25 mm                    |
| Cable diameter without cable sheath | 16 mm (Diameter of braided shield) |

### Ambient conditions

|                                 |                            |
|---------------------------------|----------------------------|
| Degree of protection (IP)       | IP68                       |
| Ambient temperature (operation) | -40 °C ... 100 °C (static) |

### General

|                      |                     |
|----------------------|---------------------|
| No. of conductors    | 1                   |
| Cable gland material | Nickel-plated brass |
| Material, insert     | Polyamide 6         |

# Cable gland - G-INSEC-PG29-M68N-NNES-S - 1411201

## Technical data

### General

|                                |   |
|--------------------------------|---|
| Cable seal material            | CR  |
| O-ring material                | Perbunan  |
| Shielded                       | yes   |
| Thread type connection side    | Pg29  |
| Thread type on connection side | Pg29  |
| Torque                         | 15 Nm (Union nut: EN 62444)   |
|                                | 15 Nm (Support: EN 62444)   |
| Color                          | silver  |
| Assembly instructions          | 1) Mount screw connection flange in the housing using the correct torque 2) Insert cable 3) Tighten union nut using the correct torque  |
| Connection                     | <p>Method 1<br/>Cut the outer sheath, but do not remove it. Feed the cable through the screw connection and then remove the outer sheath. Now pull the cable back until the connection is established between the cable shield and the contact spring.</p> <p>Method 2<br/>Push the braided shield back around 15 ... 20 mm over the outer sheath. Insert the cables into the screw connection until the connection is established between the cable shield and the contact spring.</p> |

### Standards and Regulations

|                                  |    |
|----------------------------------|----|
| Halogen-free                     | no |
| Connection in acc. with standard | UL |

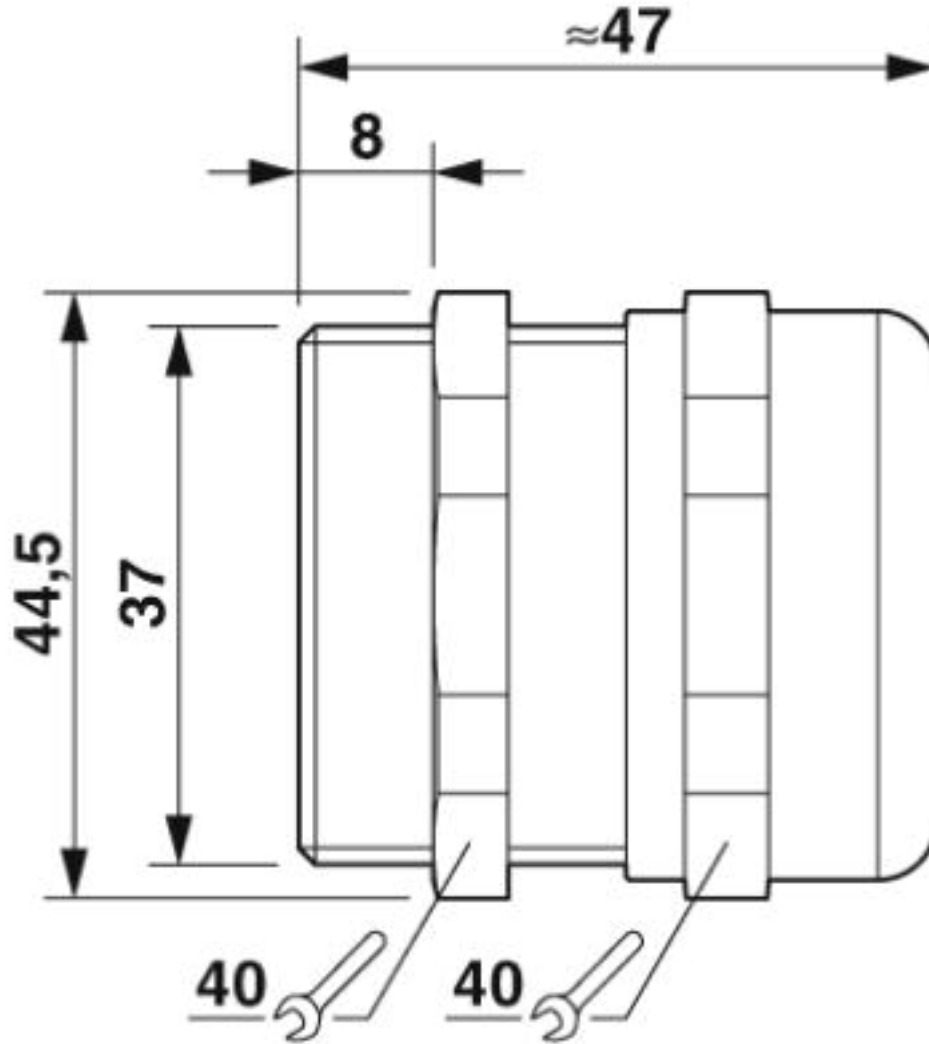
### Environmental Product Compliance

|            |   |
|------------|---|
| China RoHS | Environmentally Friendly Use Period = 50  |
|            | For details about hazardous substances go to tab "Downloads", Category "Manufacturer's declaration" |

## Drawings

# Cable gland - G-INSEC-PG29-M68N-NNES-S - 1411201

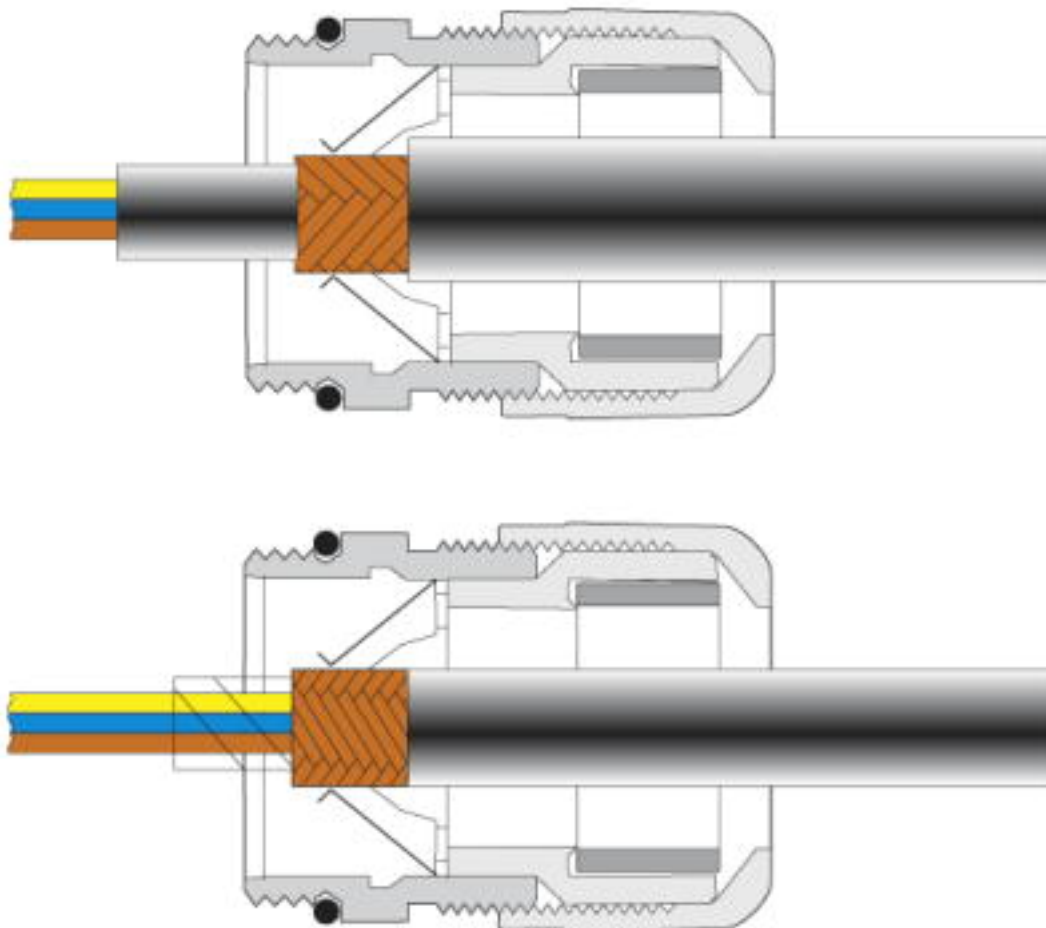
Dimensional drawing



Dimensional drawing

## Cable gland - G-INSEC-PG29-M68N-NNES-S - 1411201

Functional drawing



See assembly instruction

---

Phoenix Contact 2019 © - all rights reserved  
<http://www.phoenixcontact.com>

PHOENIX CONTACT GmbH & Co. KG  
Flachsmarktstr. 8  
32825 Blomberg  
Germany  
Tel. +49 5235 300  
Fax +49 5235 3 41200  
<http://www.phoenixcontact.com>