



ANATECH ELECTRONICS INC
RF & Microwave Filters & Products

2579.5 MHz Cavity Bandpass Filter

Part Number: AE2579.5B10227



Electrical Specifications

Center Frequency: 2579.5 MHz
Bandwidth: 162 MHz
Passband : 2498.5 MHz to 2660.5 MHz
Insertion Loss: < 1.5dB @ 2579.5 MHz
Return Loss: >15dB @ 2498.5 MHz to 2660.5 MHz
Rejection: >60dB @ 0-2400 MHz
Rejection2: >14dB @ 2480 MHz
Rejection3: >14dB @ 2680.5 MHz
Rejection4: >70dB @ 2760 MHz to 4000 MHz
Group Delay: <11ns @ 2498.5 MHz to 2660.5 MHz
Impedance: 50 Ohms

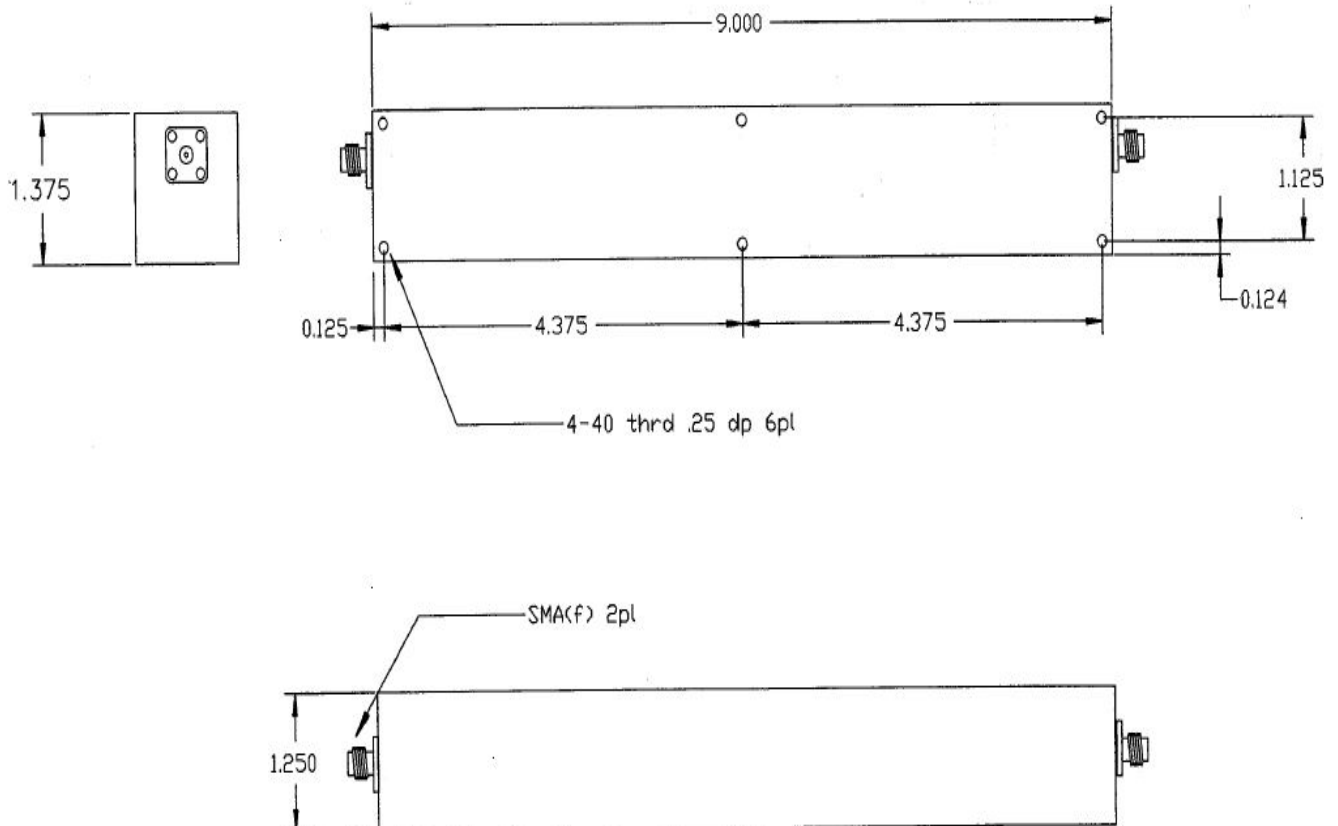
Mechanical

Mounting Method: Threaded Mounting Holes
Connector Type: SMA(Female)
Dimensions: 9.0" X 1.375" x 1.250" in.

Environmental

Operating Temperature: -25°C to +70°C
Storage Temperature: -40°C to +90°C
Shock: 20 G. 11ms
Vibration: 20 G. 5 to 200Hz

Outline Drawing:





ANATECH ELECTRONICS INC
RF & Microwave Filters & Products

2579.5 MHz Cavity Bandpass Filter

Part Number: AE2579.5B10227



Response Plot:

8 Apr 2009 14:31:14

