

6

5

4

3

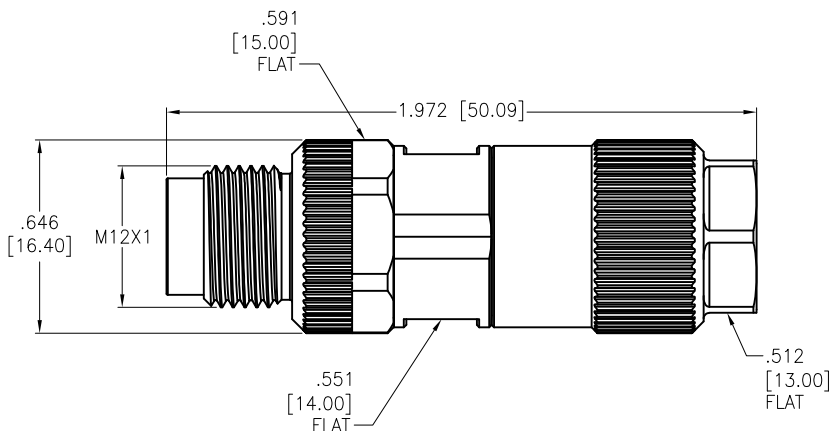
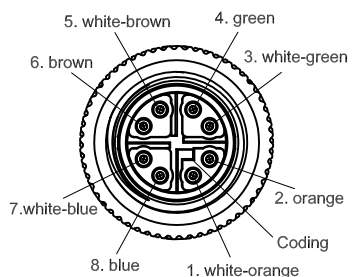
2

1

APPROVED: _____

DATE: _____ TITLE: _____

Rev	AWO #	Description	Date	Appr
-		RELEASED	3/9/18	
A		UPDATED SPEC.	03/18/19	TW/CK
B		UPDATED SPEC.	2/11/20	SS



SPECIFICATIONS:

Material:

Insulator: PA66/POM, Glass reinforced

Insulator color: Black

Contacts: Phosphor Bronze

Shell: Brass & Zinc Alloy & Phosphor Bronze

Sealing: NBR

Plating:

10u" Gold over Nickel underplate on contact area,

Tin over Nickel underplate on IDC area

Electrical:

Operating voltage: 48 V per Contact

Current rating: 0.5 A per Contact

Contact resistance: 5 mohms max

Insulation resistance: 100 Mohms min @ 500 VDC

Dielectric withstanding voltage: 500 VAC for 1 minute

Mechanical:

Cable diameter: ϕ 6.8~ ϕ 9.0mm

Temperature Rating:

-40C to +90C

Waterproof Rating:

IP67

Environmental:

Lead free, RoHS compliant.



UNLESS OTHERWISE SPECIFIED ALL DIMENSIONS ARE INCHES [MM] TOLERANCES: EXCEPT AS NOTED			
INCHES		HOLES	
.X	\pm .10	ϕ .X	\pm .10
.XX	\pm .020	ϕ .XX	\pm .015
.XXX	\pm .015	ϕ .XXX	\pm .010
APPROVALS		DATE	
DRAWN	HR	3/9/18	
CHECKED	DH	3/9/18	
APPROVED			

ADAM TECH INTERCONNECTS

909 Rahway Avenue,
Union, NJ 07083
Phone: 908-687-5000
Fax: 908-687-5710

TITLE WATERPROOF CONNECTOR, 8 PIN, M12 X-CODE, MALE, IDC TYPE, IP67			
SIZE X	PART NO. SD-MMX08-MMTDL-IX0-000	REV. B	
REF: S00013T	SCALE: NTS	SHEET 1 OF 1	

6

5

4

3

2

1