



Tango 28

2.4GHz Tiny stubby panel mount WiFi/Bluetooth antenna

Key Features

- Panel mount, small stubby WiFi antenna
- Tiny 12.3mm height from panel surface to antenna top
- 5mm threaded segment



General Description

The Tango 28 is a very small panel mount WiFi / Bluetooth antenna. Ideal for small projects located within a good signal zone.

The antenna is compatible with Bluetooth, WiFi and Zigbee enabled IoT devices.

The standard version comes with 100mm of 1.13mm Ø cable and an IPEX / uFL connector. Alternative connectors and cable lengths may be specified for volume orders.

Additional Considerations

- Allows simple connection onto PCB
- Indoor use only





Tango 28

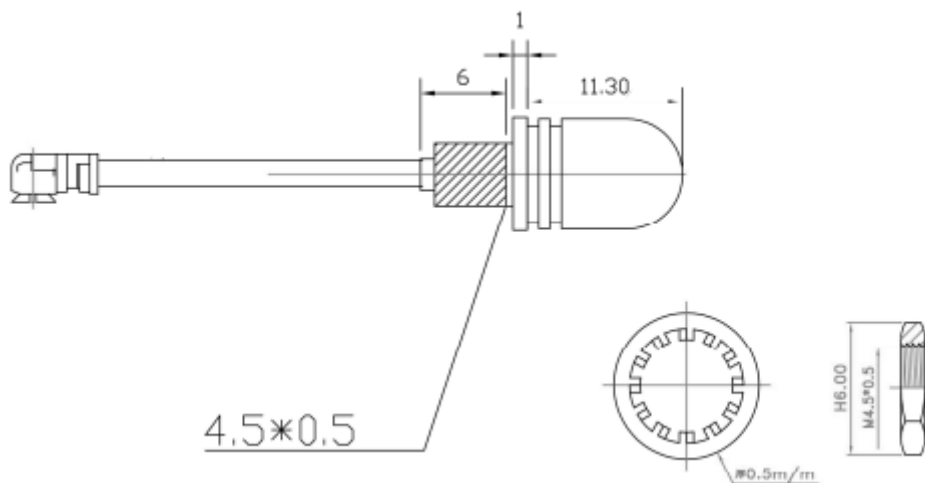
2.4GHz Tiny stubby panel mount WiFi/Bluetooth antenna

Electrical Specifications

Operating temperature:	-30 to +65°C
Impedance:	50 Ohm
Gain:	0 dBi
VSWR:	< 1.7:1
Frequency Range:	2.4 - 2.5GHz

Mechanical Specifications

Dimensions:	L: 18.3mm 8.5mm Ø
Cable:	RG178
Operating Temperature:	-25 to +75°C
Storage Temperature:	-35 to +75°C
Indoor use only	

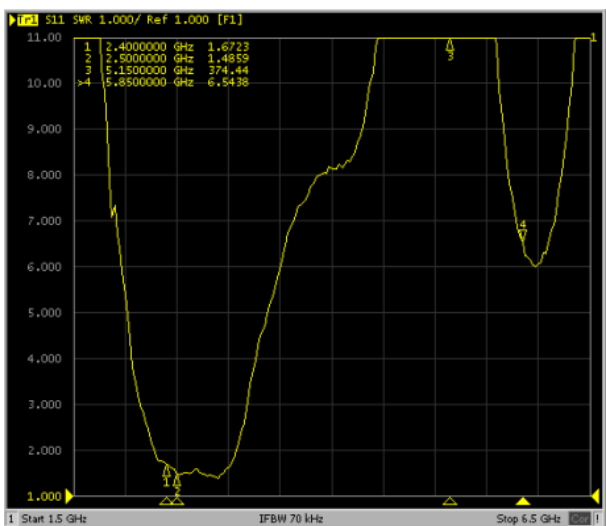




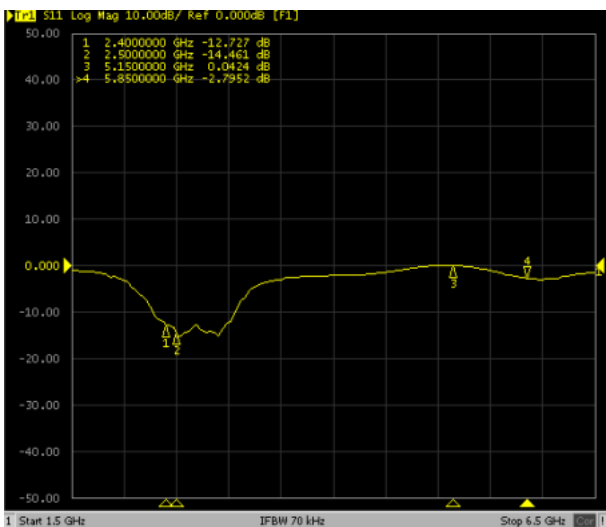
Tango 28

2.4GHz Tiny stubby panel mount WiFi/Bluetooth antenna

VSWR



Return Loss



Ordering Details

Part number	Description
TANGO28/0.1M/IPEX/S/S/35	2.4GHz 12.3mm very small stubby / panel mount WiFi / Bluetooth antenna