

# Active Doubler

## 7.5 - 22.5 / 15.0 - 45.0 GHz



**XX1000-QT**  
Rev. V7

### Features

- +18 dBm Output Power
- -20 dBc Fundamental Leakage
- 100% RF, DC and Output Power Testing
- Lead-Free 3 mm 16-lead QFN Package
- RoHS\* Compliant

### Applications

- Point-to-Point Radio
- Microwave
- LMDS
- SATCOM
- VSAT

### Description

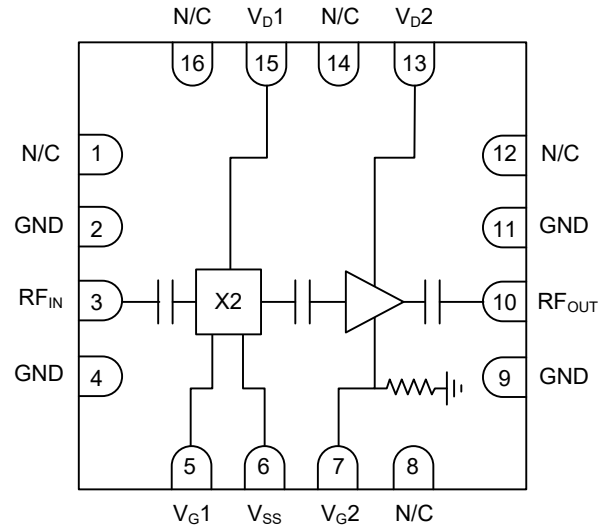
The XX1000-QT is a 7.5 - 22.5 / 15.0 - 45.0 GHz SMD active doubler that delivers +18 dBm of output power. The device combines an active doubler with an output buffer amplifier that delivers constant power over a range of input powers. The device has excellent rejection of the fundamental and harmonic products.

This device uses MACOM's 0.15 GaAs pHEMT device model technology to ensure high reliability and uniformity. The device comes in a lead-free 3 mm QFN surface mount plastic package offering excellent RF and thermal properties and is RoHS compliant.

### Ordering Information

Part Number	Package
XX1000-QT-0G00	bulk quantity
XX1000-QT-0G0T	tape and reel
XX1000-QT-EV1	evaluation module

### Functional Block Diagram



### Pin Configuration<sup>1</sup>

Pin #	Pin Name	Function
1,8,12,14,16	N/C	Not Connected
2,4,9,11	GND	Ground
3	RF <sub>IN</sub>	RF Input
5	V <sub>G1</sub>	Gate Voltage 1
6	V <sub>SS</sub>	Source Voltage
7	V <sub>G2</sub> <sup>1</sup>	Gate Voltage 2
10	RF <sub>OUT</sub>	RF Output
13	V <sub>D2</sub>	Drain Voltage 2
15	V <sub>D1</sub>	Drain Voltage 1
17 <sup>2</sup>	GND	Ground Pad

1. V<sub>G2</sub> can be used for current regulating V<sub>D2</sub> or V<sub>G2</sub> can be set to GND with V<sub>D2</sub> self-biasing at approximately 140 mA.
2. The exposed pad centered on the package bottom must be connected to RF, DC and thermal ground.

\* Restrictions on Hazardous Substances, compliant to current RoHS EU directive.

**Electrical Specifications: Input Frequency = 7.5 - 22.5 GHz, T<sub>A</sub> = +25°C**

Parameter	Units	Min.	Typ.	Max.
Output Frequency Range	GHz	15	—	45
Input Return Loss	dB	—	15	—
Output Return Loss	dB	—	7	—
Saturated Output Power	dBm	—	18	—
RF Input Power	dBm	-10	—	+10
Fundamental Leakage	dBc	—	20	—
Third Harmonic Leakage	dBc	—	30	—
Fourth Harmonic Leakage	dBc	—	10	—
Drain Bias Voltage	VDC	—	+5.0	+5.5
Gate Bias Voltage 1	VDC	-0.8	-0.6	-0.4
Gate Bias Voltage 2	VDC	-1.2	0.0	+0.1
Supply Current (I <sub>D1,2</sub> ) (V <sub>D</sub> = 5.0 V, V <sub>G1</sub> = -0.6 V, V <sub>G2</sub> = 0.0 V Typ.)	mA	—	265	280
Source Voltage	VDC	-5.5	-5.0	-2.0
Source Current	mA	25	50	60

**Absolute Maximum Ratings<sup>3</sup>**

Parameter	Absolute Maximum
Drain Voltage (V <sub>D</sub> )	+6 V
Source Voltage (V <sub>SS</sub> )	-6 V
Drain Current (I <sub>D</sub> )	320 mA
Source Current (I <sub>SS</sub> )	60 mA
Gate Voltage (V <sub>G1</sub> )	-0.4 V
Gate Voltage (V <sub>G2</sub> )	+0.1 V
RF Input Power	+15 dBm
Storage Temperature	-65°C to +165°C
Operating Temperature	-55°C to MTTF Table
Channel Temperature	MTTF Table

3. Channel temperature directly affects a device's MTTF. Channel temperature should be kept as low as possible to maximize lifetime.

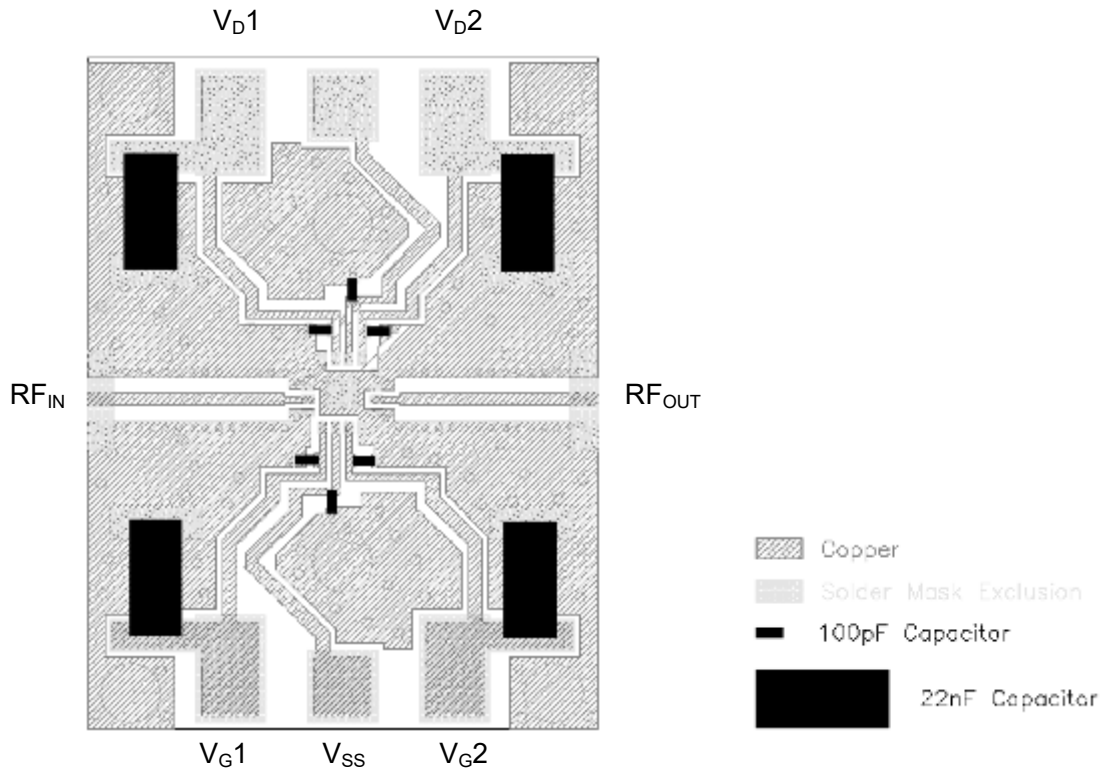
**Handling Procedures**

Please observe the following precautions to avoid damage:

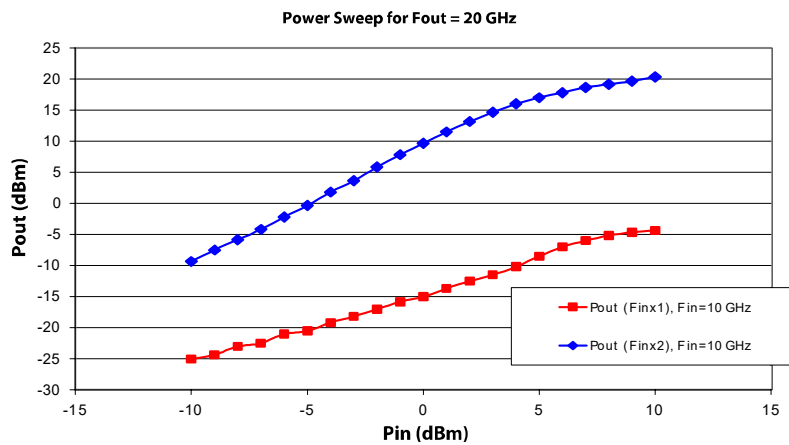
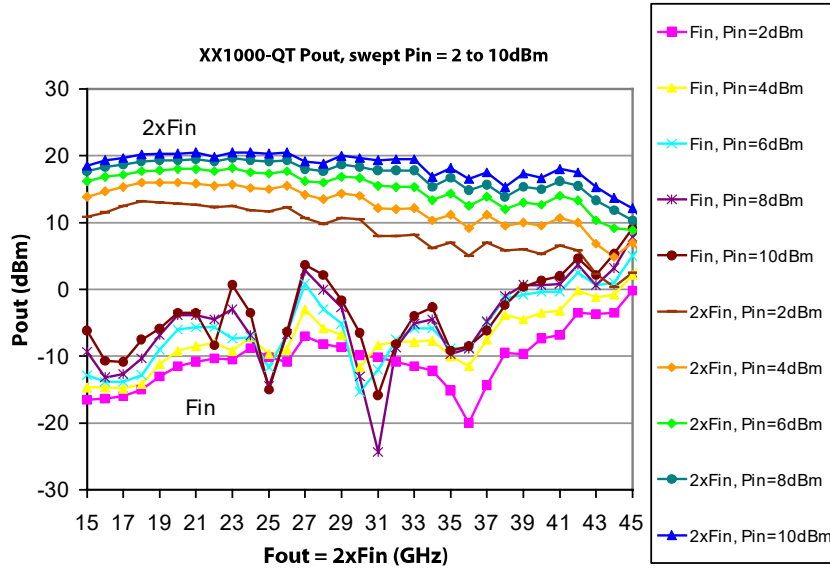
**Static Sensitivity**

These electronic devices are sensitive to electrostatic discharge (ESD) and can be damaged by static electricity. Proper ESD control techniques should be used when handling these Class 2 devices.

PCB Layout

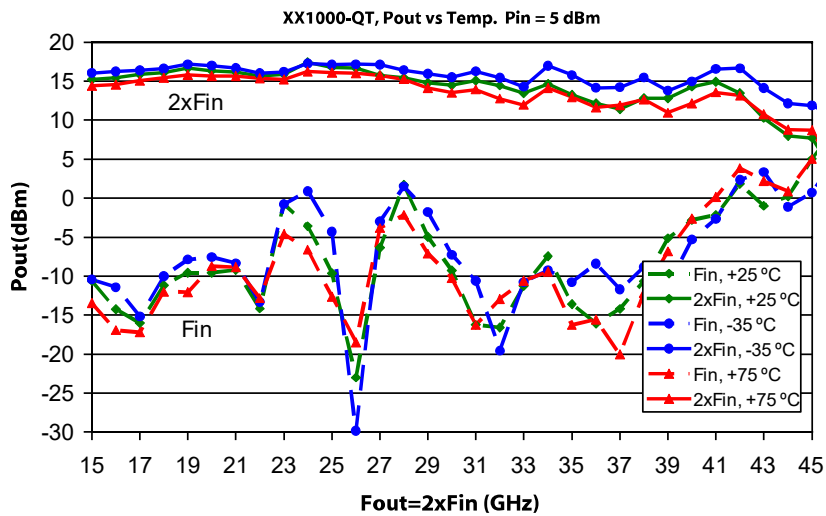
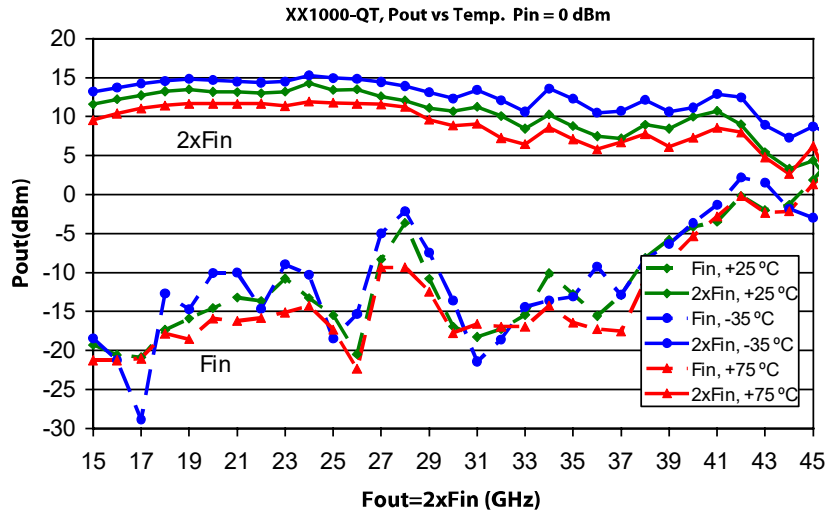


Typical Performance Curves: Nominal Bias Conditions



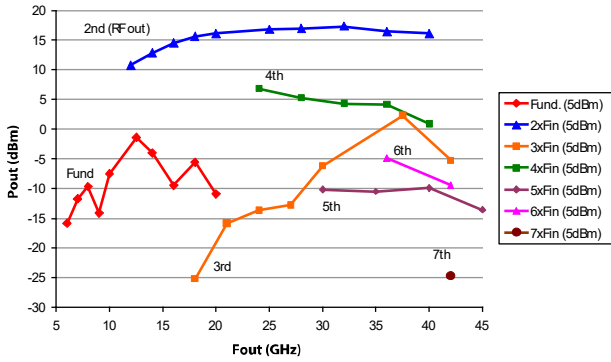
Measured results taken at room temperature in 40 GHz connectorized test fixture with no de-embedding.

Typical Performance Curves (cont.)



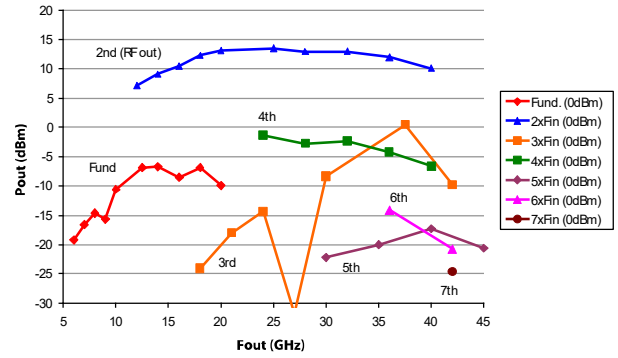
### Typical Performance Curves (cont.)

Harmonic Products, Pin = +5 dBm (Fin = 6 - 20 GHz)



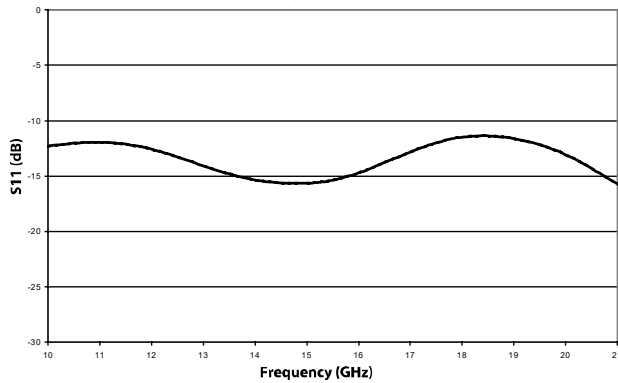
\* Measured on-wafer with pre-packaging.

Harmonic Products, Pin = +0 dBm (Fin = 6 - 20 GHz)

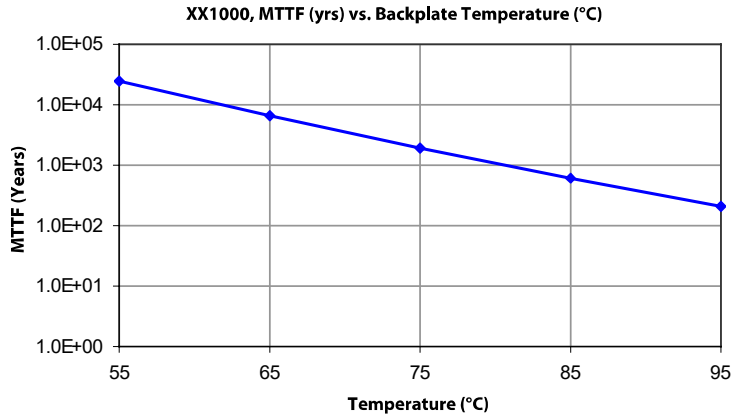


\* Measured on-wafer with pre-packaging.

XX1000-QT: Input Return Loss (dB)



## MTTF



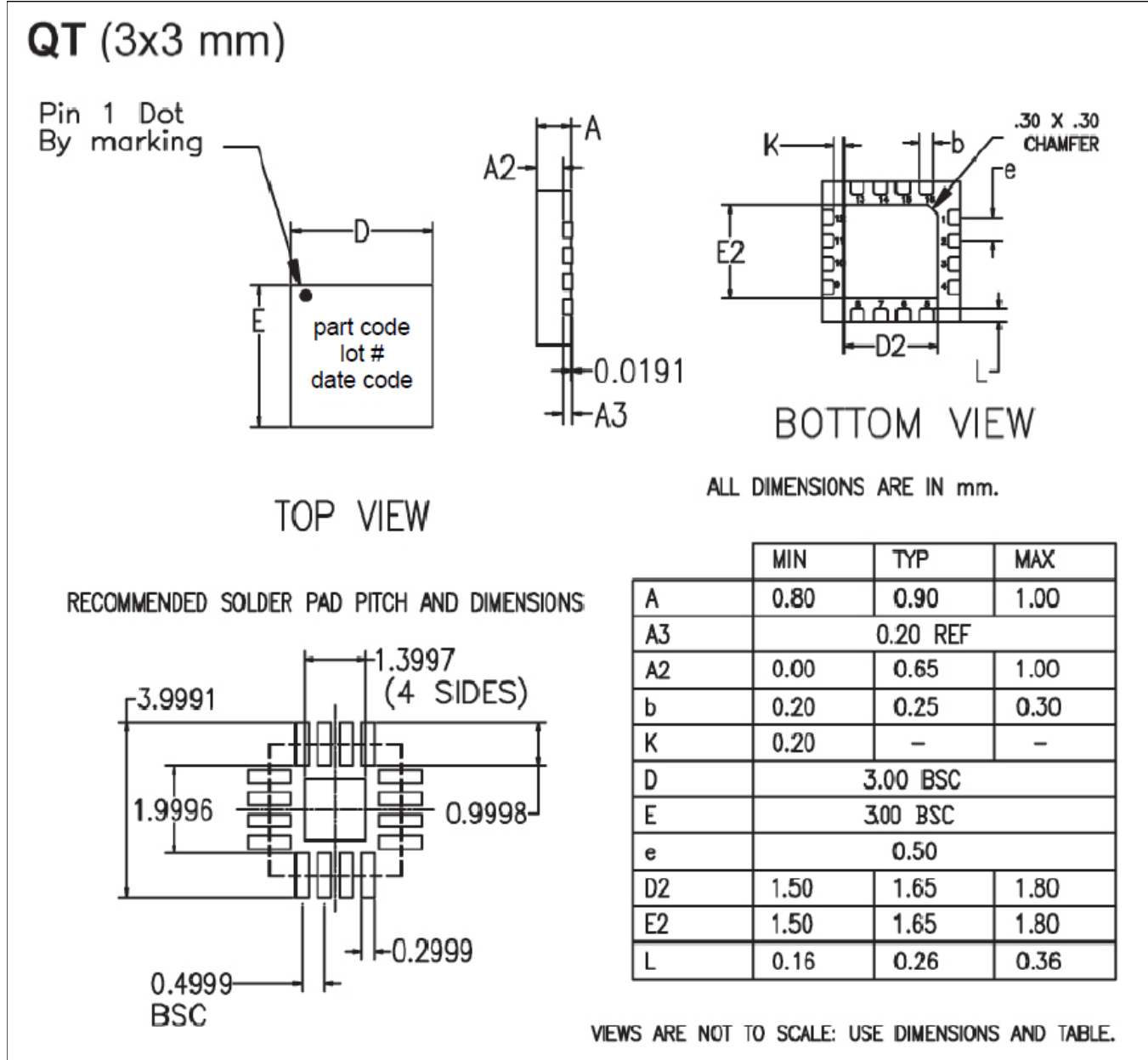
MTTF is calculated from accelerated life-time data of single devices and assumes isothermal back-plate.

Bias Conditions:  $V_{D1,2} = 5\text{ V}$ ,  $I_{D1,2} = 220\text{ mA}$ ,  $V_{SS} = -5\text{ V}$ ,  $I_{SS} = 50\text{ mA}$

### App Note [1] Biasing -

It is recommended to separately bias each doubler stage with fixed voltages of  $V_D(1,2) = 5\text{ V}$ ,  $V_{SS} = -5\text{ V}$  and  $V_G1 = -0.6\text{ V}$ . The typical DC currents are  $I_{D1} = 80\text{ mA}$ ,  $I_{D2} = 140\text{ mA}$  and  $I_{SS} = 50\text{ mA}$ .  $V_G2$  can be used for active control biasing of  $V_{D2}$ , or it can be set to GND and  $V_{D2}$  will self bias at approximately 140 mA. Maximum output power is achieved with  $V_{SS} = -5\text{ V}$  and  $I_{SS} = 50\text{ mA}$  but the device will operate with reduced bias to  $V_{SS} = -2\text{ V}$  and  $I_{SS} = 25\text{ mA}$ . It is also recommended to use active biasing on  $V_{D2}$  with  $V_G2$  to keep the currents constant as the RF power and temperature vary; this gives the most reproducible results. Depending on the supply voltage available and the power dissipation constraints, the bias circuit may be a single transistor or a low power operational amplifier, with a low value resistor in series with the drain supply used to sense the current. The gate of the pHEMT is controlled to maintain correct drain current and thus drain voltage. The typical gate voltage for  $V_G2 = -0.1\text{ V}$ . Typically the gate is protected with silicon diodes to limit the applied voltage. Also, make sure to sequence the applied voltage to ensure negative gate bias is available before applying the positive drain supply.

Lead-Free Package Dimensions/Layout



Plating is 100% matte tin over copper.



MACOM Technology Solutions Inc. ("MACOM"). All rights reserved.

These materials are provided in connection with MACOM's products as a service to its customers and may be used for informational purposes only. Except as provided in its Terms and Conditions of Sale or any separate agreement, MACOM assumes no liability or responsibility whatsoever, including for (i) errors or omissions in these materials; (ii) failure to update these materials; or (iii) conflicts or incompatibilities arising from future changes to specifications and product descriptions, which MACOM may make at any time, without notice. These materials grant no license, express or implied, to any intellectual property rights.

THESE MATERIALS ARE PROVIDED "AS IS" WITH NO WARRANTY OR LIABILITY, EXPRESS OR IMPLIED, RELATING TO SALE AND/OR USE OF MACOM PRODUCTS INCLUDING FITNESS FOR A PARTICULAR PURPOSE, MERCHANTABILITY, INFRINGEMENT OF INTELLECTUAL PROPERTY RIGHT, ACCURACY OR COMPLETENESS, OR SPECIAL, INDIRECT, INCIDENTAL, OR CONSEQUENTIAL DAMAGES WHICH MAY RESULT FROM USE OF THESE MATERIALS.

MACOM products are not intended for use in medical, lifesaving or life sustaining applications. MACOM customers using or selling MACOM products for use in such applications do so at their own risk and agree to fully indemnify MACOM for any damages resulting from such improper use or sale.