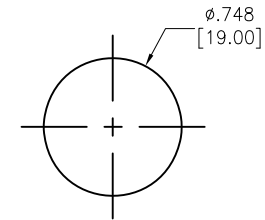
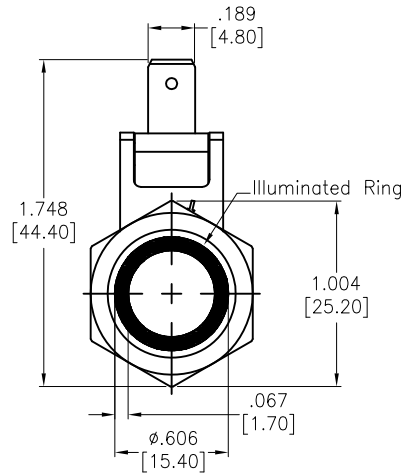
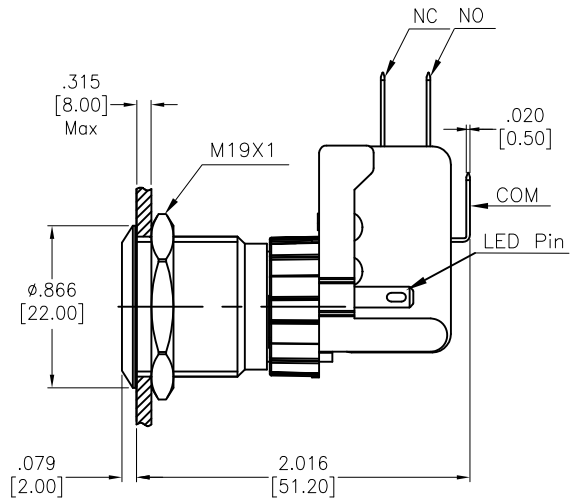
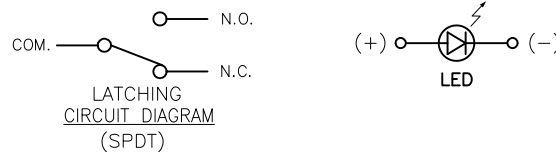
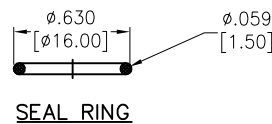


APPROVED: _____
 DATE: _____ TITLE: _____

Rev	AWO #	Description	Date	Appr
-		RELEASED	11/2/21	
A		UPDATE SPEC.	11/12/21	WX/RC



RECOMMENDED PANEL CUT



SW-PB7-06LB22FFRXXXXX

LED Ring Color		LED Voltage	
R	Red	6V	6V AC/DC
G	Green	12V	12V AC/DC
Y	Yellow	24V	24V AC/DC
O	Orange	110V	110V AC/DC
B	Blue	220V	220V AC/DC
W	White		

Current Ith	Non electrical inductive load		Inductive load	
	Resistive load	LED load	Inductive load	Electromotor load
Voltage Ui				
AC250	15	2	10	3
DC8	15	4	10	6
DC30	10	4	10	4
DC125	0.6	0.1	0.6	0.1
DC250	0.3	0.05	0.3	0.05

SPECIFICATIONS:

Material:
 Body: POM, Rated UL94V-0
 Bushing: Stainless Steel, Varnish polished
 Button: Stainless Steel, Varnish polished
 Contact Material: Silver Alloy (4.8mm)
 Terminal: Brass, Silver plated
 Electrical:
 Voltage rating: 220V
 Contact resistance: 50 mΩ max.
 Insulation resistance: 1000M ohms min @ 500V DC.
 Dielectric withstanding voltage: 1500V RMS, 50Hz.
 Electrical Life: 50,000 cycles min at full load.
 Temperature Rating:
 Operating temperature: -25°C to +55°C
 Environmental:
 IP65 Front Panel Protection
 Lead free, RoHS compliant



UNLESS OTHERWISE SPECIFIED ALL DIMENSIONS ARE INCHES [MM]. TOLERANCES: EXCEPT AS NOTED

INCHES		HOLES	
.x	± .10	Ø.x	± .10
.xx	± .020	Ø.xx	± .015
.xxx	± .015	Ø.xxx	± .010

DRAWN	JJ	11/2/21
CHECKED	RC	11/2/21
APPROVED		

THIS DRAWING CONTAINS INFORMATION THAT IS PROPRIETARY AND SHOULD NOT BE USED WITHOUT PRIOR WRITTEN PERMISSION FROM ADAM TECH



909 Rahway Avenue,
 Union, NJ 07083
 Phone: 908-687-5000
 Fax: 908-687-5710

TITLE: SWITCH, ANTI-VANDAL, PUSH BUTTON, HIGH CURRENT, SPDT, 19mm, LATCHING, ON-ON

SIZE	PART NO.	REV.
X	SW-PB7-06LB22FFRXXXXX	A

REF: S00198T SCALE: NTS SHEET 1 OF 1