

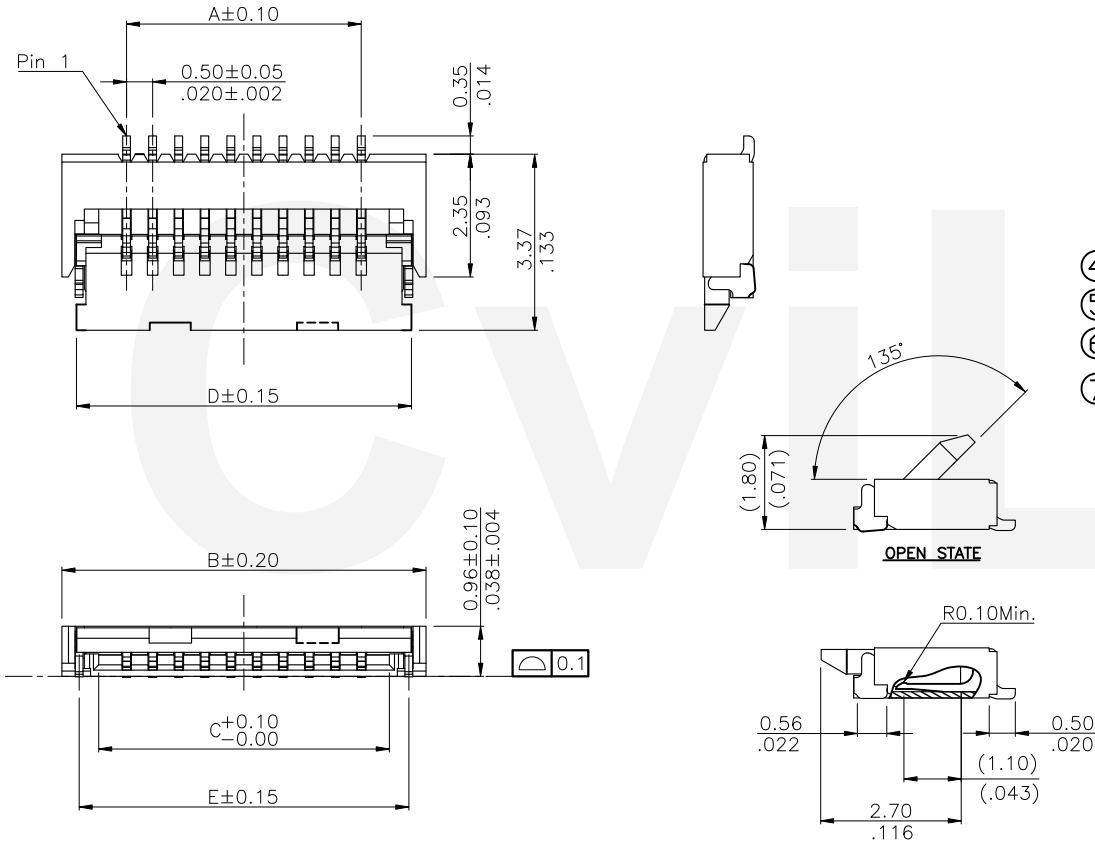
Material :

- \* Base: High temperature plastic UL 94V-0, Color Nature
- \* Cover: High temperature plastic UL 94V-0, Color Black
- \* Contact: Phosphor Bronze
- \* Fixed tab: Phosphor Bronze with 2.50um(100u'') Min. Matte Tin Plated over 1.27um(50u'') Min. Nickel

### Ordering Code


CF35 \*\* \* D 0 RE -NH  
 ① ② ③ ④ ⑤ ⑥ ⑦

- ① Series No.
- ② No. of Circuits 4~30PIN Enhanced version
- ③ Plating code:
  - 1= 80u''~120u''Matte Tin plated over , 50u''~80u''Min. Nicke.
  - 2= 0.03um(1.2u'') Min.Gold Flash, 50u''~80u'' MIN Nickel Underplating.
  - F= 0.03um(1.2u'') Min.Gold Flash on Contact area and Solder tails, 1.27um(50u'') Min. Nickel Underplating over all.
- ④ Contact style: D= Downside contact
- ⑤ 0= Color Nature
- ⑥ Packing: RE= Tape & Reel packing
- ⑦ -NH= For Lead Free IR Processed and Halogen Free

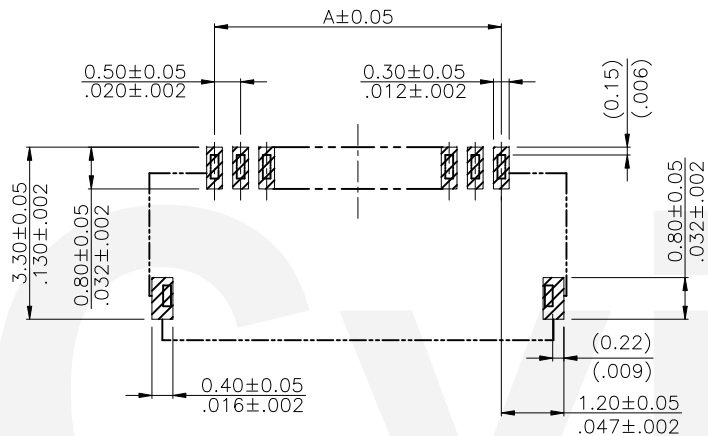


DIM A=0.5 X (No. of Circuits-1)  
 DIM B=DIM A+2.50  
 DIM C=DIM A+1.10  
 DIM D=DIM A+1.90  
 DIM E=DIM A+1.82

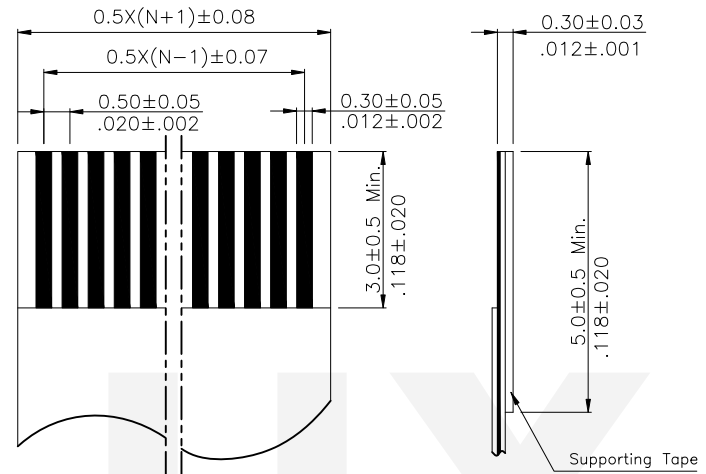
Halogen-Free    Lead Free Process    RoHS Compliant

④					DATE	UNIT: mm / inch	TITLE: 0.50mm(.020") ZIF FFC/FPC ONE-TOUCH CONNECTOR (Enhanced version)	 瀚荃股份有限公司 CviLux Corporation			
③					DATE	TOLERANCE UNLESS OTHERWISE SPECIFIED	MATERIAL:				DRAWING NO.
②					DATE	.X ± 0.20/.008    .X' ±	FINISH:	SCALE	10 / 1	SHEET	1 OF 3
①					DATE	.XX ± 0.15/.006    .X' ± 1'					
SYM	NAME	DATE	REVISIONS	APPROVED BY:	Phil	5/11-20'	.XXX ±				





Recommended P.C. Board Layout



Accommodated FFC/FPC

Halogen-Free

Lead Free Process

RoHS Compliant

4					DATE	UNIT: mm / inch	TITLE: 0.50mm(.020") ZIF FFC/FPC ONE-TOUCH CONNECTOR (Enhanced version)		 瀚荃股份有限公司 CviLux Corporation	
3				DRAWN BY: Hero	5/11-20'	TOLERANCE UNLESS OTHERWISE SPECIFIED		MATERIAL:		DRAWING NO. CF3524SA
2				ENGINEER: Hero	5/11-20'	.X ± 0.20/.008	.X' ±	FINISH:	SCALE 10 / 1	SHEET 2 OF 3
1				CHECKED BY: Steve	5/11-20'	.XX ± 0.15/.006	.X' ± 1'			
SYM	NAME	DATE		APPROVED BY: Phil	5/11-20'	.XXX ±	.XX' ±			

