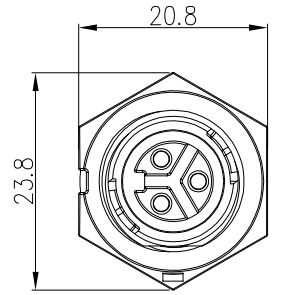
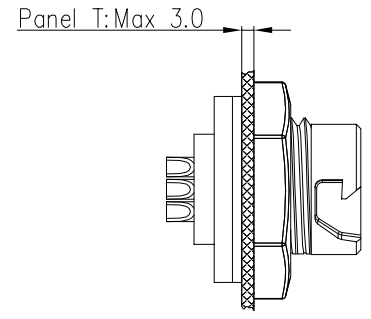
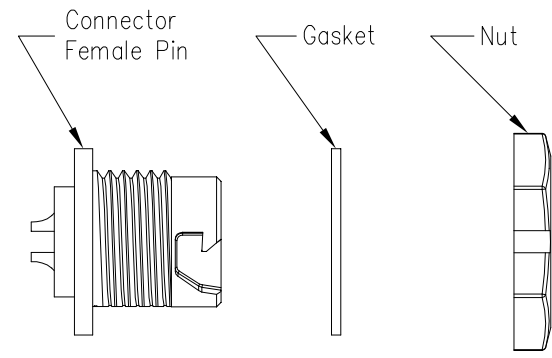
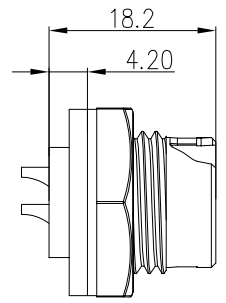
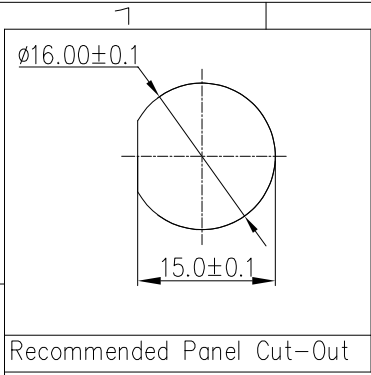


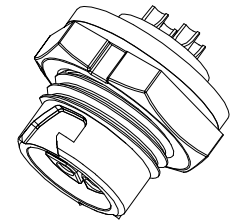
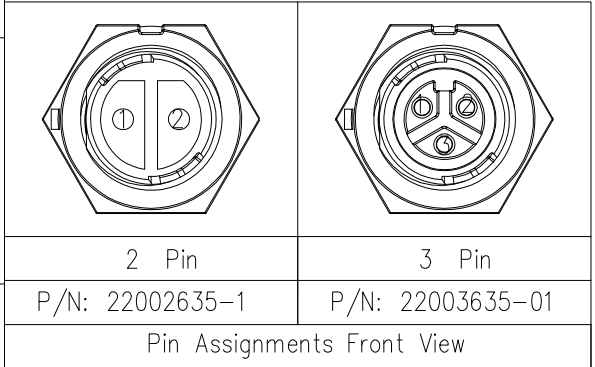
THIS INFORMATION IS CONFIDENTIAL AND IS DISCLOSED TO YOU ON CONDITION THAT NO FURTHER DISCLOSURE IS MADE BY YOU TO OTHER THAN CHOGORI PERSONNEL WITHOUT AUTHORIZATION FROM CHOGORI CORP.

REV.	ECN NO.	DESCRIPTION	SIGN	DATE
C1	N/A	INITIAL DRAWING	Liu	2019/08/13



22XXX635-01
Pin Number

- Specification:
- 1.Operation Temperature: $-45^{\circ}\text{C} \sim 105^{\circ}\text{C}$.
 - 2.Insulation Resistance: $100\text{M}\Omega$ at DC500V.
 - 3.Contact Resistance: $<10\text{m}\Omega$.
 - 4.Withstand Voltage: 2000V AC
 - 5.Operating Current: 10A
 - 6.Operating Voltage: AC 300V
 - 7.Waterproof Rate: IP67 (Mated)
 - 8.Housing: Nylon, Black
 - 9.Female Pin: Copper Alloy, Gold Plated
 - 10.Gasket: Silicon Gray
 - 11.Panel Nut: Nylon, Blue
 - 12.Torque Rate: $0.8 \sim 1.0\text{N} \cdot \text{m}$
 - 13.RoHS Compliant.
 - 14.UL Compliant.
 - 15.Mating Cap P/N: 806-00053-00



UNIT: mm		DESCRIPTION
TOLERANCE		Standard Series Push Lock Front Mount With Female Pin
.X	± 0.25	SCALE: 1:1
.XX	± 0.15	SHEET 1 OF 1
.XXX	± 0.05	REV. C1
ANGLES	$\pm 1^{\circ}$	SIZE A4
		* : Inspection Item

CHOGORI[®]

PART NO	22XXX635-01	DRAWN BY	Liu	DATE	2019/08/13
DWG NO		CHECKED BY	Mo	DATE	2019/08/13
CUSTOMER		APPROVED BY	Panson	DATE	2019/08/13