

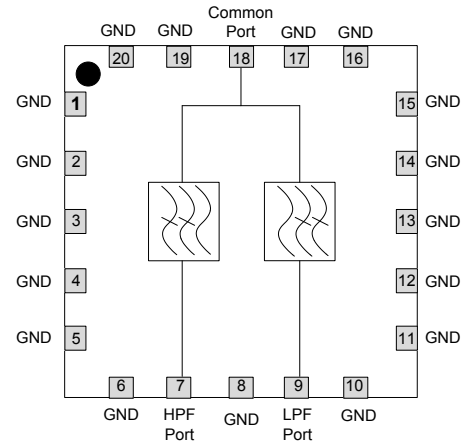
Features

- 75 Ω
- Surface MT 30x30 mm device
- RoHS Compliant and Pb free

Description

MAFL-011081 is a surface mount diplex filter unit designed for CATV applications, DVT and DBS applications.

Functional Schematic



Ordering Information^{1,2}

Part #	Package
MAFL-011081	bulk
MAFL-011081-SB1	Sample Board

1. Reference Application Note M513 for reel size information.
2. All sample boards include x loose parts.

Pin Configuration³

Pin #	Function
1 - 6, 8, 10-17, 19, 20	Ground
7	High Pass Port
9	Low Pass Port
18	Common Port

3. MACOM recommends connecting unused package pins to ground.

Electrical Specifications: $T_A = 25^\circ\text{C}$, $Z_0 = 75 \Omega$

Parameter	Test Conditions Frequency (MHz)	Units	Min.	Typ.	Max.
Insertion Loss	5 - 204	dB	—	0.5	1.6
	258 - 1218			0.5	1.6
Filter Rejection	5 - 204	dB	43	50	—
	258 - 1218		43	50	
Filter Return Loss (all ports)	5 - 204	dB	17	19	—
	258 - 1218		16	18	

* Restrictions on Hazardous Substances, European Union Directive 2011/65/EU.

1

PRELIMINARY: Data Sheets contain information regarding a product MACOM has under development. Performance is based on engineering tests. Specifications are typical. Mechanical outline has been fixed. Engineering samples and/or test data may be available. Commitment to produce in volume is not guaranteed.

MACOM Technology Solutions Inc. (MACOM) and its affiliates reserve the right to make changes to the product(s) or information contained herein without notice.

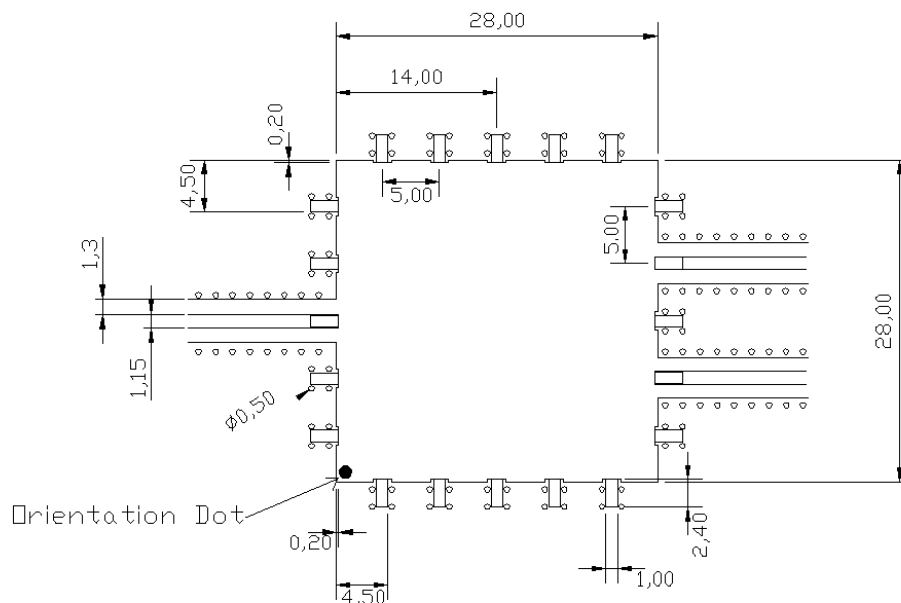
For further information and support please visit: <https://www.macom.com/support>

Absolute Maximum Ratings^{4,5}

Parameter	Value
RF Power	250 mW
DC Current	30 mA
Operating Temperature	-40°C to +85°C
Storage Temperature	-40°C to +85°C

4. Exceeding any one or combination of these limits may cause permanent damage to this device.
5. MACOM does not recommend sustained operation near these survivability limits.

Recommended PCB Configuration

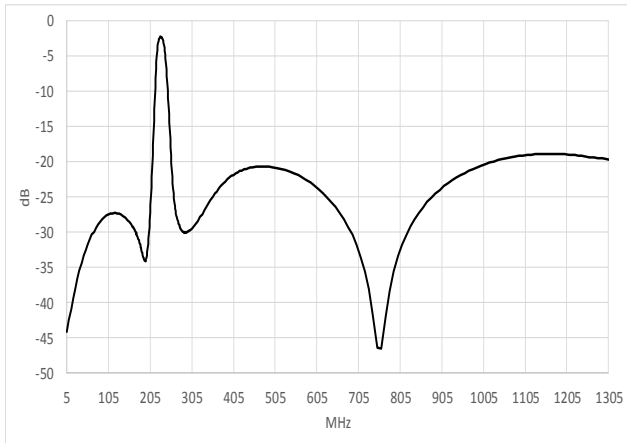


CATV Diplex Filter 5 - 204 / 258 - 1218 MHz

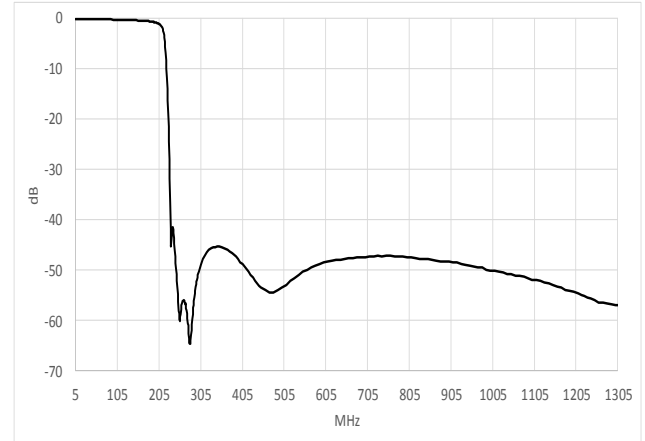
Rev. V1

Typical Performance Curves $T_A = 25^\circ\text{C}$, $Z_0 = 75 \Omega$

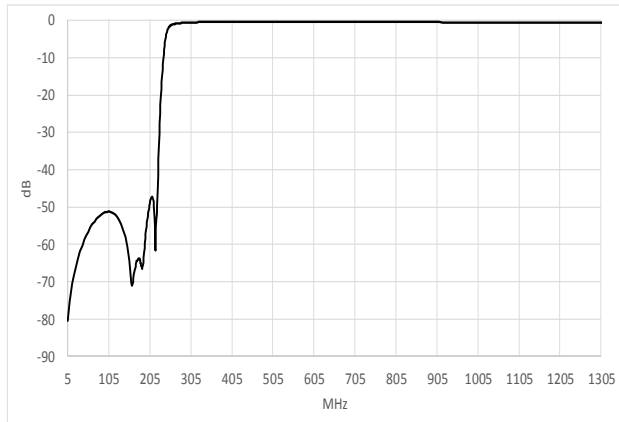
Input Port Return Loss



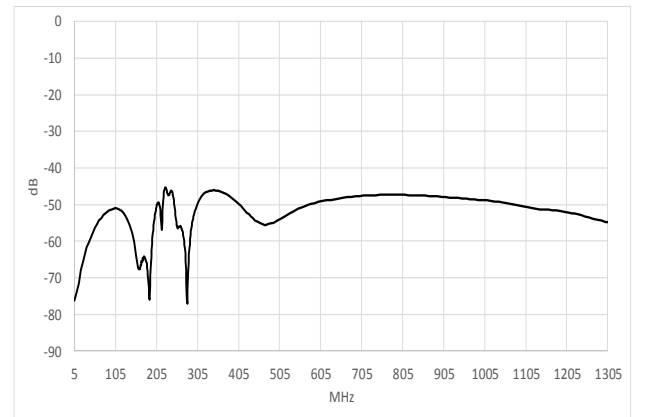
Low Pass Filter Performance



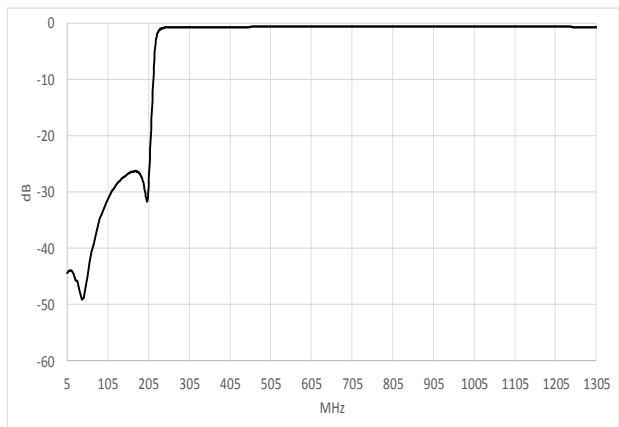
High Pass Filter Performance



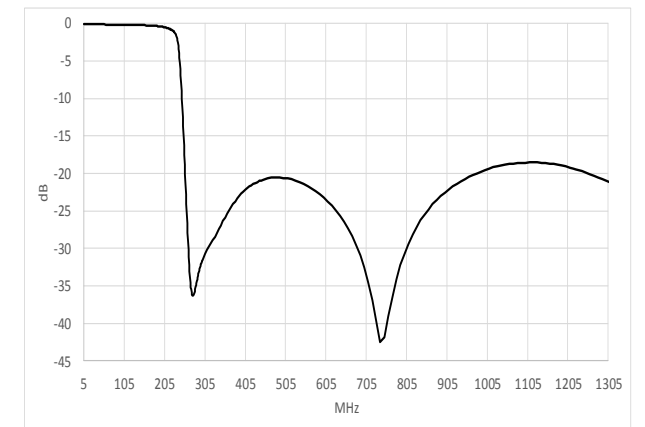
Filter Isolation



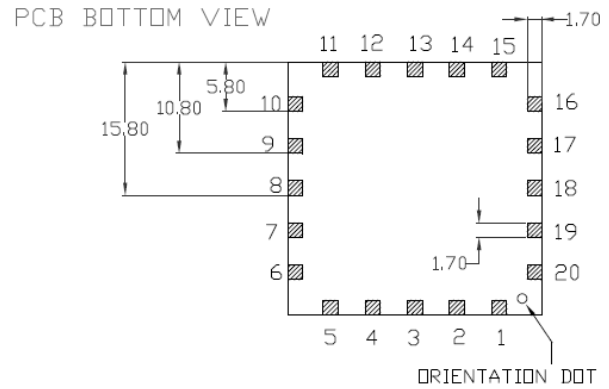
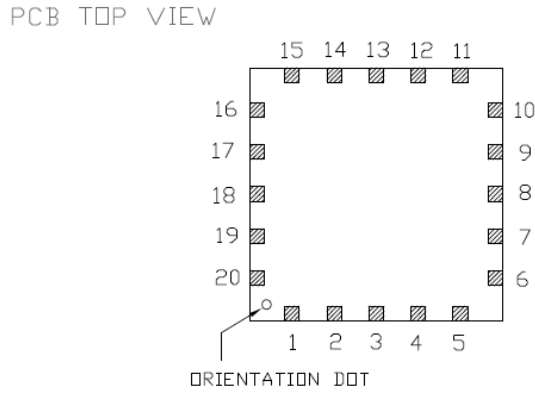
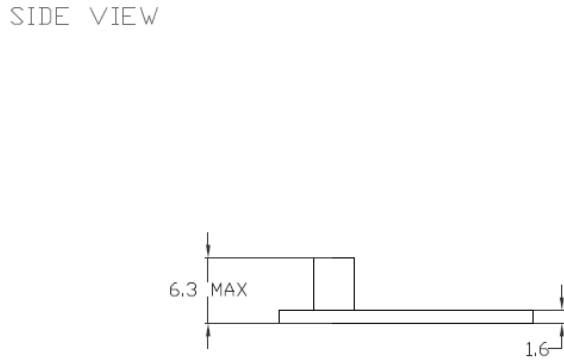
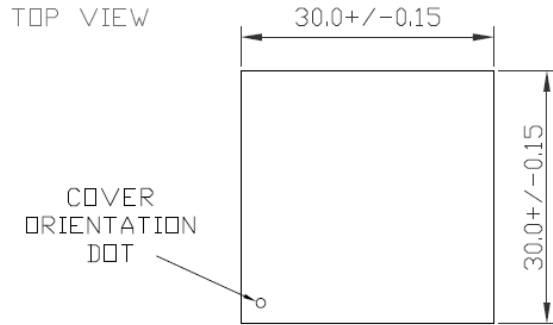
Low Pass port Return Loss



High Pass port Return Loss

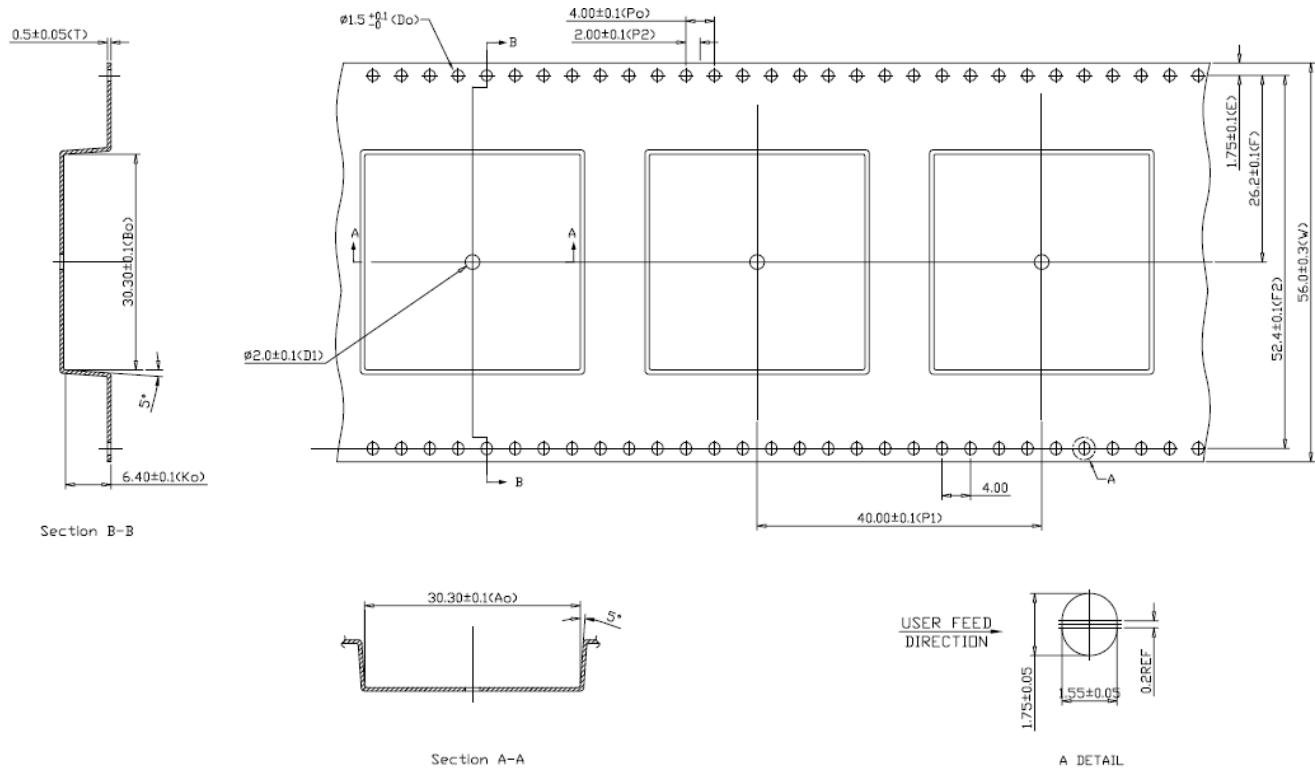


Outline Drawing



Dimensions in mm. Tolerance: .x ± 0.1, .xx ± 0.05

Tape & Reel Information



Dimensions

Parameter	Units	Value
Qty per reel	—	200
Reel Size	mm	330
Tape Width	mm	56.00
Pitch	mm	40.00
Ao	mm	30.3
Bo	mm	30.3
Ko	mm	6.4
Orientation	—	F30
Reference Application Note ANI-019 for orientation		

MACOM Technology Solutions Inc. All rights reserved.

Information in this document is provided in connection with MACOM Technology Solutions Inc ("MACOM") products. These materials are provided by MACOM as a service to its customers and may be used for informational purposes only. Except as provided in MACOM's Terms and Conditions of Sale for such products or in any separate agreement related to this document, MACOM assumes no liability whatsoever. MACOM assumes no responsibility for errors or omissions in these materials. MACOM may make changes to specifications and product descriptions at any time, without notice. MACOM makes no commitment to update the information and shall have no responsibility whatsoever for conflicts or incompatibilities arising from future changes to its specifications and product descriptions. No license, express or implied, by estoppel or otherwise, to any intellectual property rights is granted by this document.

THESE MATERIALS ARE PROVIDED "AS IS" WITHOUT WARRANTY OF ANY KIND, EITHER EXPRESS OR IMPLIED, RELATING TO SALE AND/OR USE OF MACOM PRODUCTS INCLUDING LIABILITY OR WARRANTIES RELATING TO FITNESS FOR A PARTICULAR PURPOSE, CONSEQUENTIAL OR INCIDENTAL DAMAGES, MERCHANTABILITY, OR INFRINGEMENT OF ANY PATENT, COPYRIGHT OR OTHER INTELLECTUAL PROPERTY RIGHT. MACOM FURTHER DOES NOT WARRANT THE ACCURACY OR COMPLETENESS OF THE INFORMATION, TEXT, GRAPHICS OR OTHER ITEMS CONTAINED WITHIN THESE MATERIALS. MACOM SHALL NOT BE LIABLE FOR ANY SPECIAL, INDIRECT, INCIDENTAL, OR CONSEQUENTIAL DAMAGES, INCLUDING WITHOUT LIMITATION, LOST REVENUES OR LOST PROFITS, WHICH MAY RESULT FROM THE USE OF THESE MATERIALS.

MACOM products are not intended for use in medical, lifesaving or life sustaining applications. MACOM customers using or selling MACOM products for use in such applications do so at their own risk and agree to fully indemnify MACOM for any damages resulting from such improper use or sale.

6

PRELIMINARY: Data Sheets contain information regarding a product MACOM has under development. Performance is based on engineering tests. Specifications are typical. Mechanical outline has been fixed. Engineering samples and/or test data may be available. Commitment to produce in volume is not guaranteed.

MACOM Technology Solutions Inc. (MACOM) and its affiliates reserve the right to make changes to the product(s) or information contained herein without notice.

For further information and support please visit: <https://www.macom.com/support>