

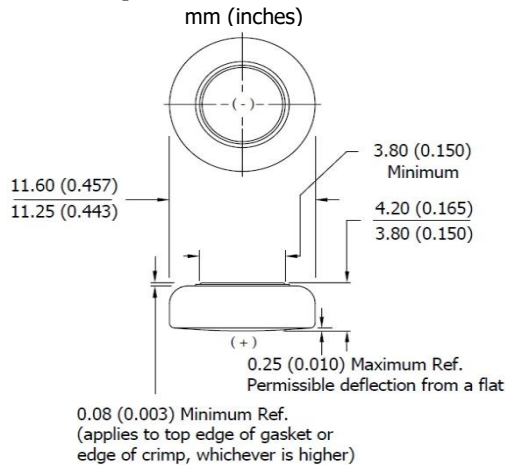
ENERGIZER 386

ZEROMERCURY®

SILVER OXIDE



Industry Standard Dimensions



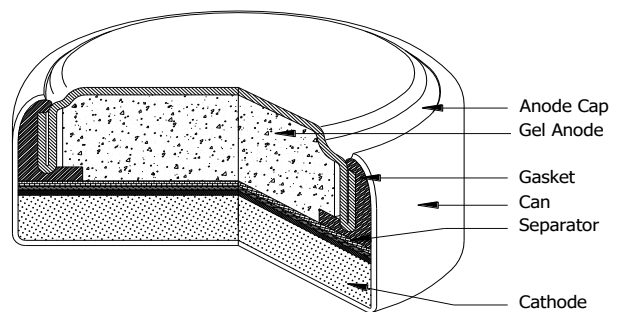
DESIGNED FOR USE ON CONTINUOUS LOW DRAIN
HIGH PULSE ON DEMAND

Specifications

Chemical System:	Silver Oxide (Zn/Ag ₂ O)
Designation:	ANSI/NEDA-1133SO/1132SO, IEC-SR43
Nominal Voltage:	1.55 Volts
Typical Capacity:	110 mAh* (to 1.2 volts)
Capacity Test:	6.8K ohm continuous drain at 21°C
Typical Weight:	1.7 grams (0.06 oz.)
Typical Volume:	0.44 cubic centimeters (0.27 cubic inch)
Impedance (40 Hz):	5 to 15 ohms

* Varies according to the applied load, temperature, and cutoff voltage.

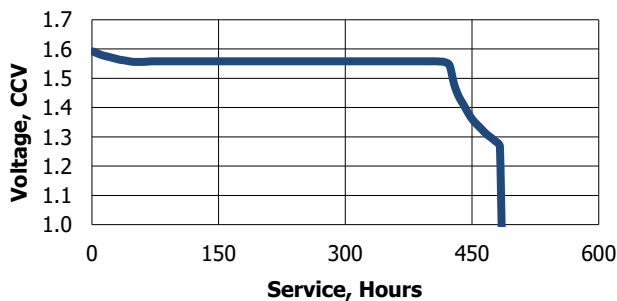
Cross Section



Typical Discharge Characteristics

Typical Performance at 21°C (70°F)

Schedule: Continuous
Typical Drain @1.55V:
0.228 milliamperes
Load: 6.8K ohm

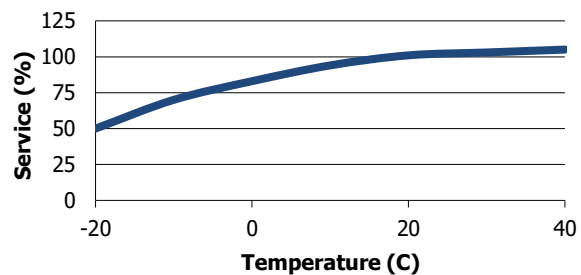


<u>Schedule</u>	<u>Typical Drains</u> at 1.55V (milliamperes)	<u>Load</u> (ohm)	<u>Cutoff</u> (hours)
Continuous	0.228	6.8K	483

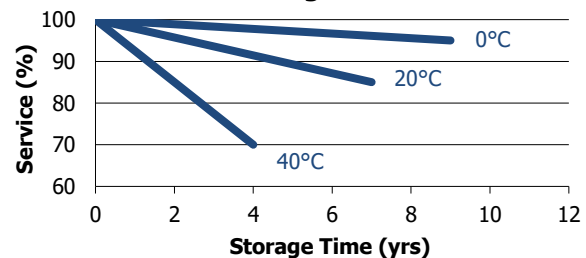
Temperature Characteristics

Typical Performance at Low Discharge Rates

Service Effects



Storage Effects



Important Notice

This datasheet contains typical information specific to products manufactured at the time of its publication.
Contents herein do not constitute a warranty and are for reference only.