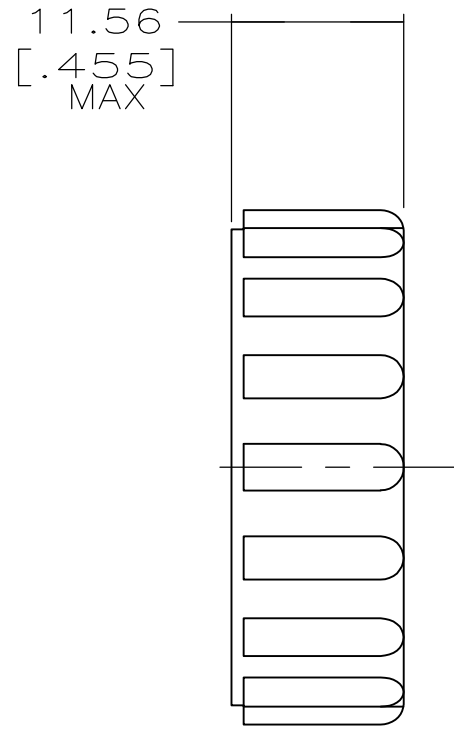
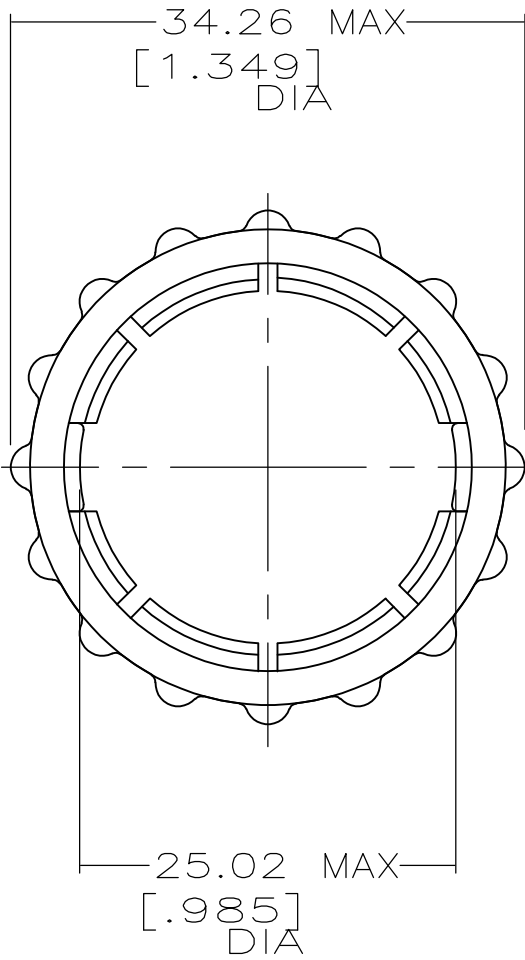


LOC	DIST	REVISIONS					
FT	0	P	LTR	DESCRIPTION	DATE	DWN	APVD
		B		REVISED PER ECO-15-005998	23JUL2015	NK	MZ



RELEASED FOR PUBLICATION

ALL RIGHTS RESERVED.

THIS DRAWING IS UNPUBLISHED.

By -  
COPYRIGHT

OBSOLETE	BLACK	213582-2
	GRAY	213582-1
	COLOR	PART NO.

DIMENSIONS: mm	DWN H MOLL	10-5-92	MATERIAL POLYPHENYLENE	FINISH -			
	CHK R STONE	10-5-92					
TOLERANCES UNLESS OTHERWISE SPECIFIED:	APVD -	PRODUCT SPEC 108-10024			NAME COUPLING RING, SIZE 17, CPC		
0 PLC ± -		APPLICATION SPEC -	SIZE A4	CAGE CODE 00779	DRAWING NO C-213582	RESTRICTED TO -	
1 PLC ± -							
2 PLC ± -							
3 PLC ± -							
4 PLC ± -							
ANGLES ± -							
	WEIGHT -		CUSTOMER DRAWING		SCALE 2:1	SHEET 1 OF 1	REV B