

HOTSHEET – Sales Reference Guide

Part Number Family	MAAM-011286-DIE
Value Proposition:	MAAM-011286-DIE is an easy-to-use, wideband amplifier that operates from 30 kHz to 44 GHz. The amplifier provides 16 dB gain, 22 dBm output power and 5.3 dB noise figure. It is matched to 50 Ω with typical return loss better than 13 dB.

Key Features and Benefits:

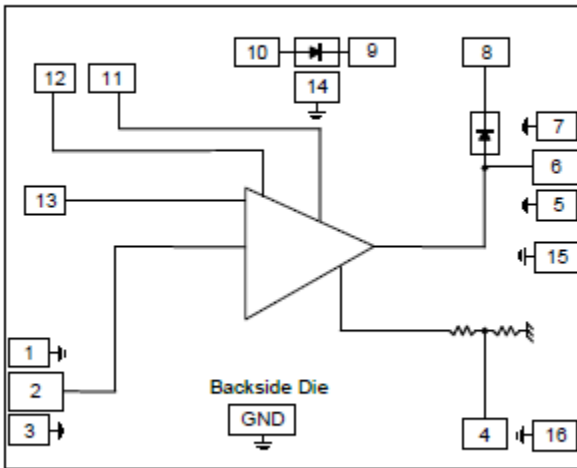
Target Market, Applications: Wideband applications in 5G Test and Measurement, communications, and mmW connectivity		
Product Development Strategy /History: Development of a wide band amplifier with flat gain to 44 GHz which would be a suitable replacement for the EOL Avago/Broadcom AMMC-5024 and the MACOM XD1008		
Key Selling Points →	Advantages →	Benefits
<ol style="list-style-type: none"> 1. Flat Wideband Gain 2. Linearity 3. Output Power 4. Varied Bias 5. Integrated Power Detector 	<ol style="list-style-type: none"> 1. 30 kHz – 40 GHz 16 dB typ 2. OIP3 30 dBm @ 22 GHz 3. P3dB 24 dBm @ 22 GHz 4. 3-8V Vdd with gate control for current and gain adjustment 5. Monitor output power of amplifier 	<ol style="list-style-type: none"> 1. Single amplifier can cover entire frequency for very wide band operation without external circuitry 2. Low distortion, linear operation 3. High power for use as efficient driver or output device 4. Performance adjustment 5. External detector circuit not needed
Associated Application Notes: See Datasheet		

Sales Tips: Discovery Question

Discovery Questions: Is the MAAM-011286-DIE a suitable replacement for the AMMC-5024 and the XD1008?
Answer: Yes

Functional Schematic:

Functional Schematic¹



1. Image not to scale.